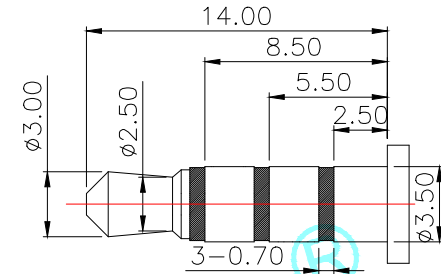
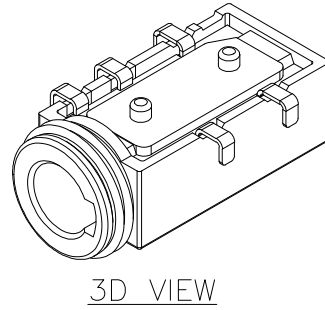
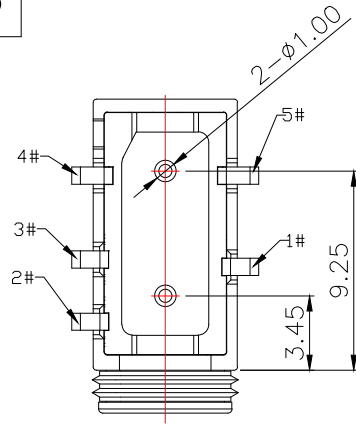
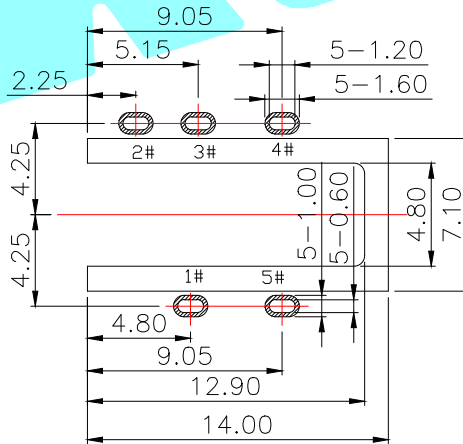
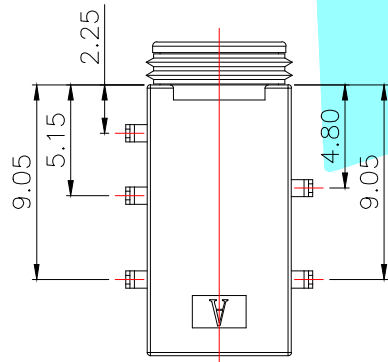
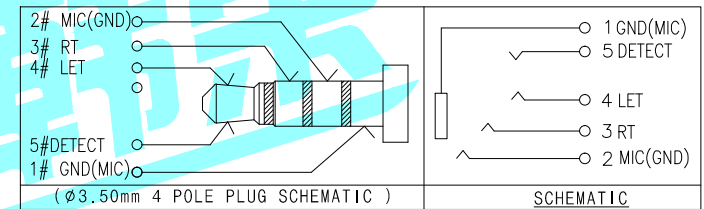
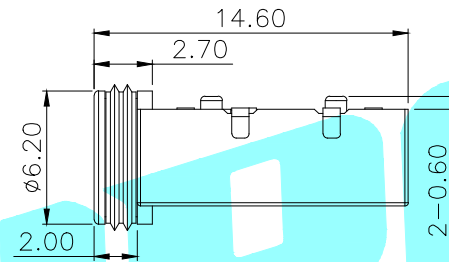
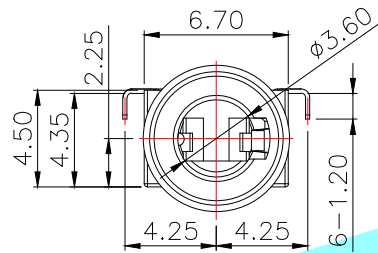


ROHS



(Ø3.50mm 4 POLE PLUG)



1. CONTACT CURRENT RATING: 1A.
2. CONTACT RESISTANCE: 100 mΩ MAX.;
3. INSULATION RESISTANCE: 100MΩ MIN.;
4. DIELECTRIC WITHSTANDING: 500V AC MIN.;
5. DURABILITY: 5,000 CYCLES MIN.;
6. CONNECTOR MATING FORCES: 30N MAX.;
7. CONNECTOR UNMATING FORCES: 3N MIN.;
8. TERPROOF LEVEL: IPX7;

ITEM	PART NAME	TER'NO.	QTY.	MATERIAL	FINISHING	REMARK
③	Waterproof ring	—	1	Silica gel	—	—
②	Terminal	—	5	Phosphor bronze/SUS	Ni Plating	—
①	Housing	—	1	HTP	Black	—

APPROVALS		DATE		HROELECTRONICS CO.,LTD		
DRAWN	LIUCAN	2021.04.27		TITLE:	PHONE JACKS	
CHECKED				PART NO.	PJ-621A	
APPROVALS				TOLERANCES ARE	ANGLE	UNIT: mm SCALE: 1:1 PROJ:
				30~以上 ±0.30	±2'	DRAWING NO.
				10~30 ±0.20		SHEET 1 OF 1
				5~10 ±0.15		
				~ 5 ±0.10		

ECN NO.	REV.	DATE.	DESCRIPTION.	CHANGE.	CHECK.	APPRO.
	A		NEW			