

485020-1 ✓ ACTIVE



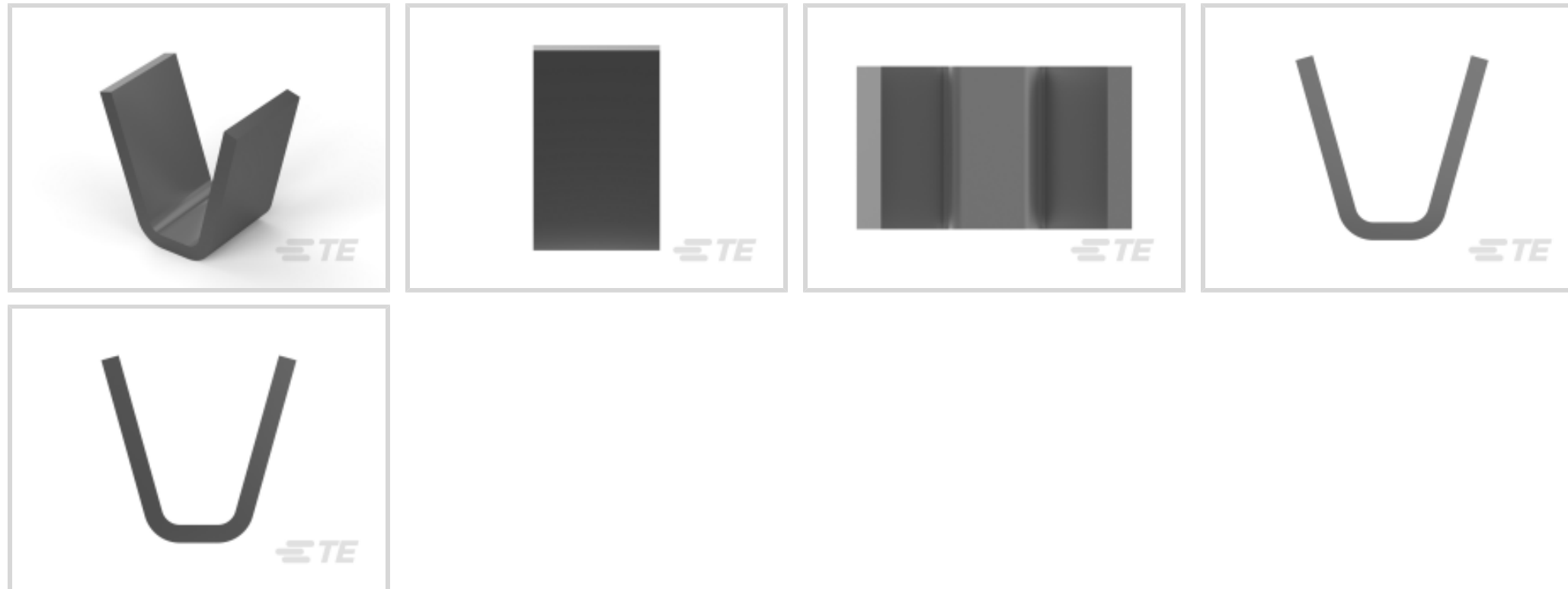
## SPLICE

TE Internal #: 485020-1

Pigtail Splice / Thru Splice, 13.5 – 11 AWG Wire Size, 3.04 – 4.05 mm<sup>2</sup> Wire Size, 6000 – 8000 CMA Wire Size, Steel, 0 Serration, SPLICE, Splices

[View on TE.com >](#)

Terminals & Splices > Splices



Splice Type: **Pigtail Splice, Thru Splice**

Wire Size: **6000 – 8000 CMA**

Sealable: **No**

### Features

#### Product Type Features

Splice Type	Pigtail Splice, Thru Splice
Sealable	No
Compatible With Discrete Wire Type	Solid, Stranded
Wire Insulation Support Retention Type	Non-Insulation Support

#### Configuration Features

Number of Serrations	0
Compatible With Wire & Cable Type	Discrete Wire

#### Body Features

Product Weight	.126 g
----------------	--------

#### Contact Features

Contact Base Material	Steel
Barrel Type	Open

#### Mechanical Attachment

Wire Insulation Support	Without
-------------------------	---------

#### Dimensions



Wire Size	6000 – 8000 CMA
Terminal Material Thickness	.51 mm[.02 in]
Product Length	3.17 mm[.125 in]

### Usage Conditions

Insulation Option	Uninsulated
Operating Temperature Range	-40 – 250 °C[-40 – 482 °F]

### Operation/Application

Compatible With Wire Base Material	Copper
------------------------------------	--------

### Industry Standards

Government Qualified Splice	No
-----------------------------	----

### Packaging Features

Packaging Quantity	50000
Packaging Method	Reel

### Product Compliance

[For compliance documentation, visit the product page on TE.com>](#)

EU RoHS Directive 2011/65/EU	Compliant
EU ELV Directive 2000/53/EC	Compliant
China RoHS 2 Directive MIIT Order No 32, 2016	No Restricted Materials Above Threshold
EU REACH Regulation (EC) No. 1907/2006	Current ECHA Candidate List: JUNE 2024 (241) Candidate List Declared Against: JUNE 2024 (241) Does not contain REACH SVHC
Halogen Content	Low Halogen - Br, Cl, F, I < 900 ppm per homogenous material. Also BFR/CFR/PVC Free
Solder Process Capability	Not applicable for solder process capability

#### Product Compliance Disclaimer

This information is provided based on reasonable inquiry of our suppliers and represents our current actual knowledge based on the information they provided. This information is subject to change. The part numbers that TE has identified as EU RoHS compliant have a maximum concentration of 0.1% by weight in homogenous materials for lead, hexavalent chromium, mercury, PBB, PBDE, DBP, BBP, DEHP, DIBP, and 0.01% for cadmium, or qualify for an exemption to these limits as defined in the Annexes of Directive 2011/65/EU (RoHS2). Finished electrical and electronic equipment products will be CE marked as required by Directive 2011/65/EU. Components may not be CE marked. Additionally, the part numbers that TE has identified as EU ELV compliant have a maximum concentration of 0.1% by weight in homogenous materials for lead, hexavalent chromium, and mercury, and 0.01% for cadmium, or qualify for an exemption to these limits as defined in the Annexes of Directive 2000/53/EC (ELV). Regarding the REACH Regulation, the information TE provides on SVHC in articles for this part number is based on the latest European Chemicals Agency (ECHA) 'Guidance on

requirements for substances in articles' posted at this URL: <https://echa.europa.eu/guidance-documents/guidance-on-reach>

## Compatible Parts



TE Part # 61021-1  
SPLICE 18-16 AWG .0126 NPST



TE Part # 42627-4  
SPLICE 3232-8282 .0198 NPST



TE Part # 60933-2  
SPLICE 2200-2900 .012 TPST



TE Part # 61008-1  
SPLICE 18-16 AWG .0158 TPST



TE Part # 160659-2  
SPLICE 800-2500 .016 NPST



TE Part # 2150348-1  
OCEAN\_2.0\_Applicator-E-155F-REM



TE Part # 2150348-2  
OCEAN\_2.0\_Applicator-E-155F-REA



TE Part # 7-2150348-7  
OCEAN\_2.0\_SPARE\_PART\_KIT-155F

## Also in the Series | SPLICE

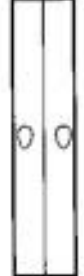


Crimp Wire Pins, Tabs & Ferrules(1)

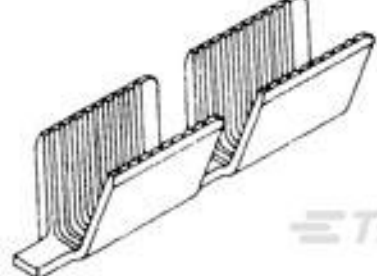


Splices(64)

## Customers Also Bought



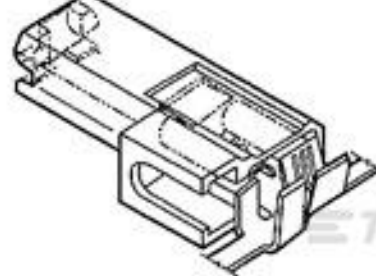
TE Part #31818  
SPLICE, SOLIS, BUTT, 22-16 COMM 22-18MIL



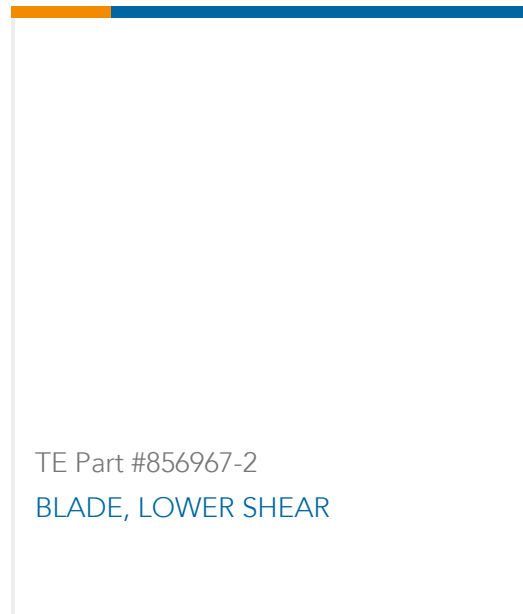
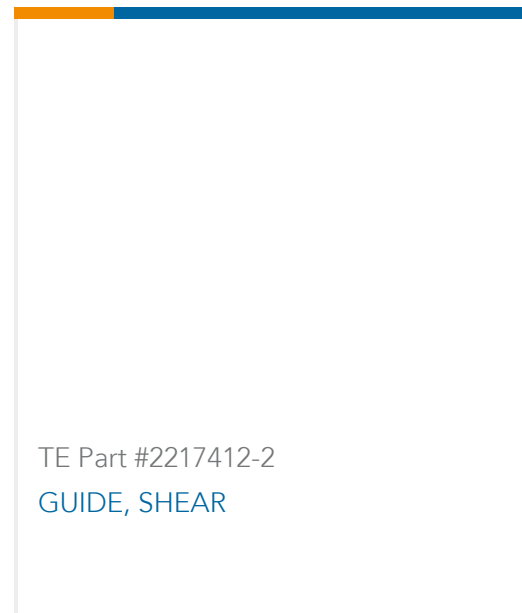
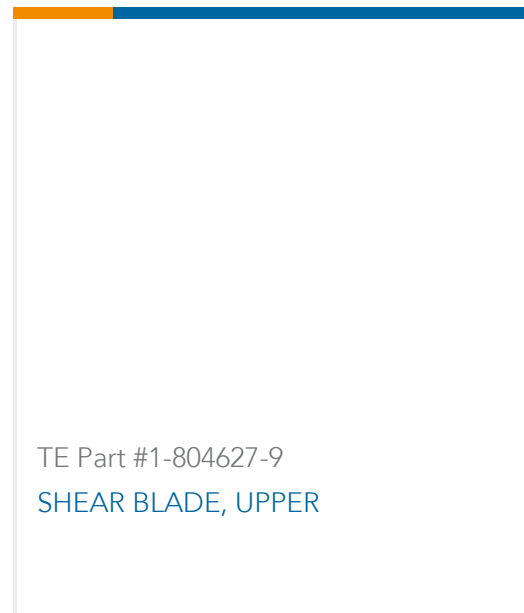
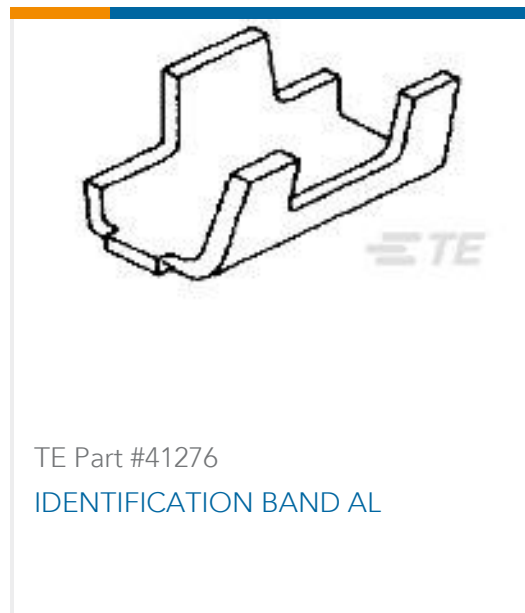
TE Part #62311-2  
AMVAR SPLC 10M-17M 0295 TPBR



TE Part #62308-2  
AMVAR SPLC 3000-7000 020TPBR



TE Part #1969283-2  
ULTRA-POD 250 ASSY REC 18-14 AWG TPBR



## Documents

### Product Drawings

[SPLICE 6000-8000 .020 TPST](#)

English

### CAD Files

[3D PDF](#)

3D

Customer View Model

[ENG\\_CVM\\_CVM\\_485020-1\\_R.2d\\_dxf.zip](#)

English

Customer View Model

[ENG\\_CVM\\_CVM\\_485020-1\\_R.3d\\_igs.zip](#)

English

Customer View Model

[ENG\\_CVM\\_CVM\\_485020-1\\_R.3d\\_stp.zip](#)

English

By downloading the CAD file I accept and agree to the [Terms and Conditions](#) of use.

### Product Specifications

[Application Specification](#)

English