

NOTES:

MATERIAL

- ② 1. Insulator: PA9T+30%GF(UL94V-0),Black
- 2. Contact: Brass, full Gold flash

ELECTRICAL

- 1. Current Rating: 3AMP
- 2. Withstand Voltage: 1000V AC/Minute
- 3. Contact Resistance: 20mΩ max
- 4. Insulation Resistance: 1000MΩ min

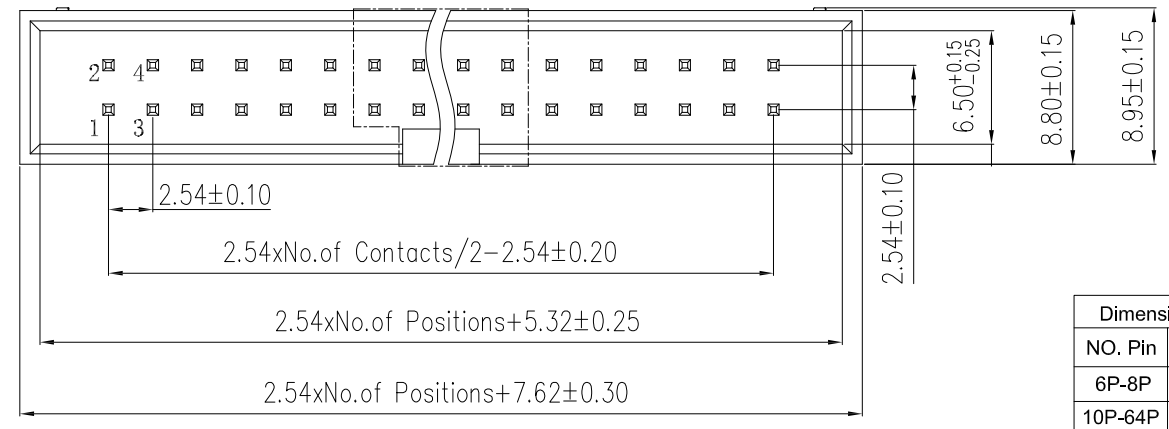
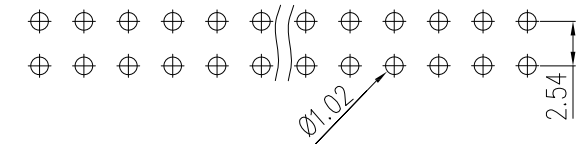
ENVIRONMENTAL

- 1. Operation Temperature: -40°C to +105°C
- 2. Packing: Tape & Reel + CAP
- ① 3. Soldering Temperature :260°C 5S Max.

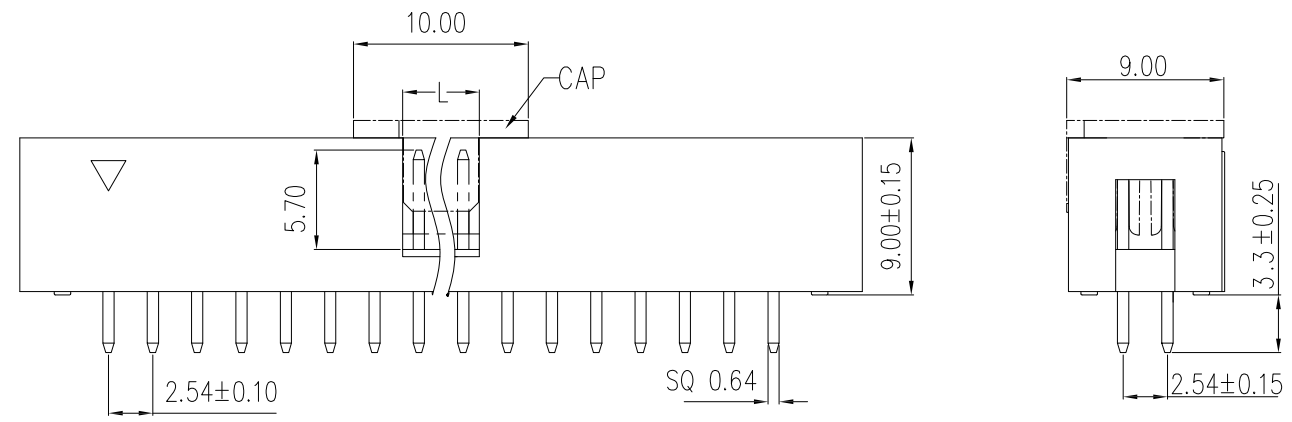
Order information:

xx : 06,08,10,12,14,16,18,20,24
26,30,34,40,50,60,64

Recommended P.C.B Layout(Top Side)
(PCB BOARD TOLERANCE±0.05)



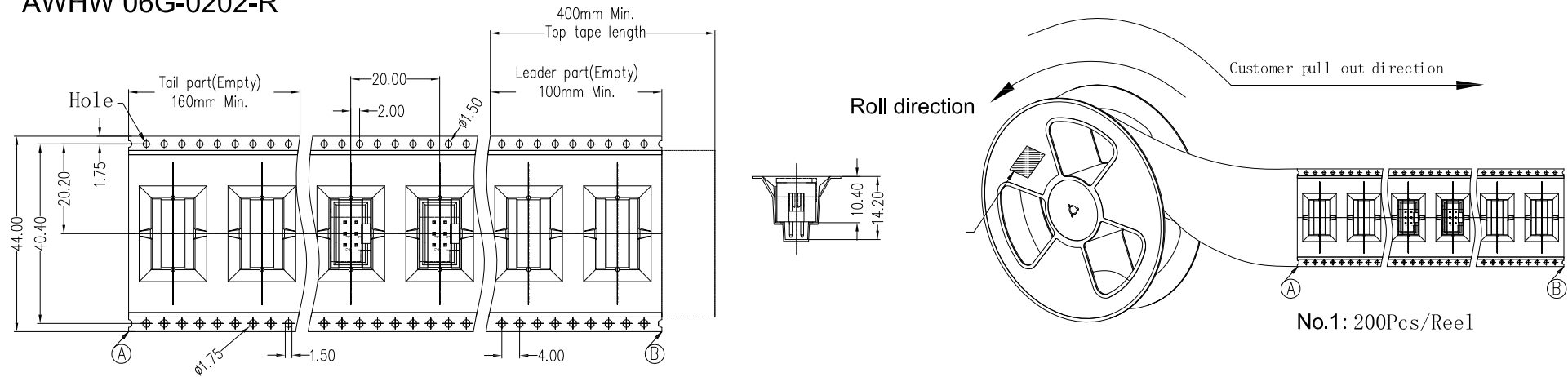
Dimension	
NO. Pin	L
6P-8P	4.00
10P-64P	4.40



RoHS compliant
Unit: mm

Scale	Free					Date	Name	Customer-No.
TOLERANCE					Drawn	23.11.2018	Xavier	
X.X	±0.40	③	Change plating to full Au-flash	11.05.2022	Daniel	Approved	30.11.2020	Winnie
X.XX	±0.25	②	Correct insulator color&add page2&3	30.11.2020	Winnie			ASSMANN WSW-No. AWHW xxG-0202-R
X.XXX	±0.15	①	Add the soldering temperature	15.07.2020	Winnie			Drawing-No.
DIM	TOL	①						ASS 8284 CO
Angle	±3°	①						rev03
		①	Drawn	23.11.2018	Xavier			Replace
		Id.	Modification	Date	Name			Sheet
								1/4

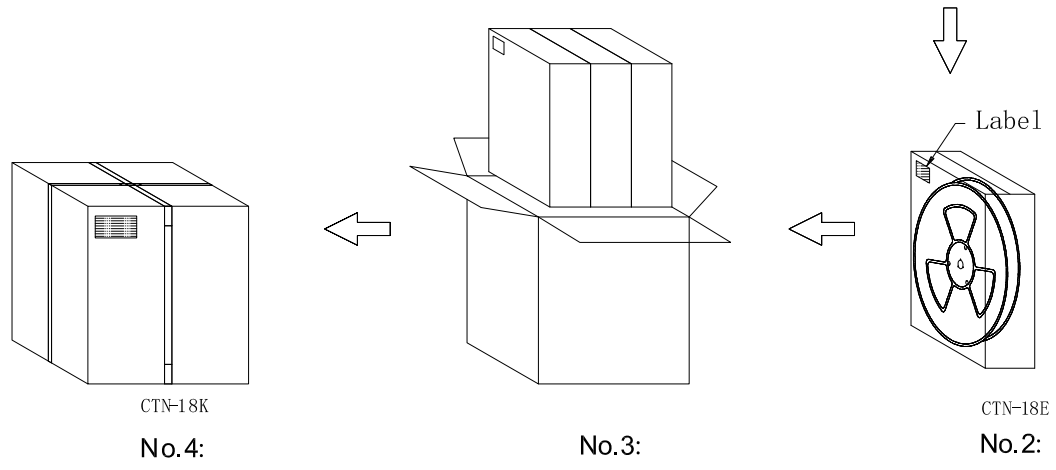
AWHW 06G-0202-R



No.1: 200Pcs/Reel

NOTES:

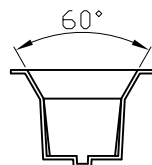
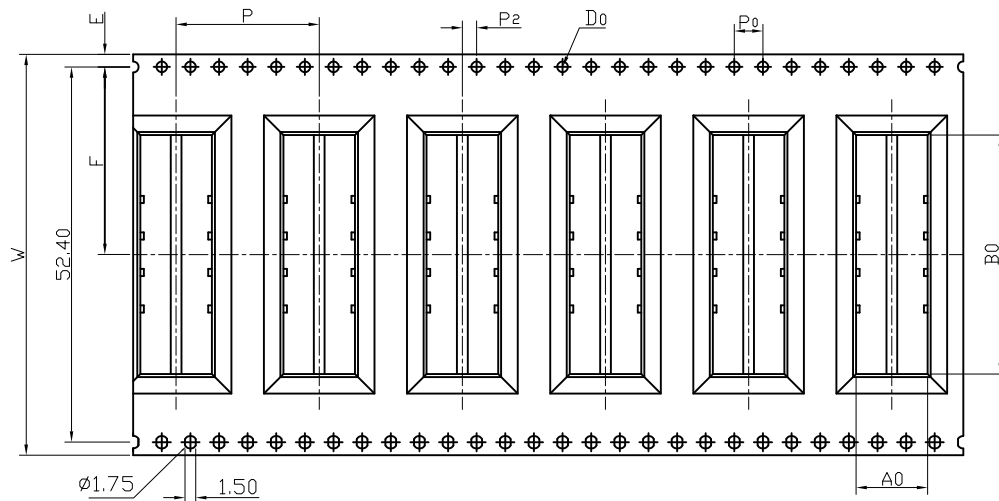
- 1. Qty: 200 Pcs/Reel
400 PCS/inner carton
12000 PCS/Outer Carton
- 2. Outer Carton Size: 36*33*36.5cm
- 3. Reel Size: 13"



RoHS compliant
Unit: mm

Scale	Free					Date	Name	Customer-No.
TOLERANCE						Drawn	23.11.2018	Xavier
X.X	±0.40	③	Change plating to full Au-flash	11.05.2022	Daniel	Approved	30.11.2020	Winnie
X.XX	±0.25	②	Correct insulator color&add page2&3	30.11.2020	Winnie			
X.XXX	±0.15	①	Add the soldering temperature	15.07.2020	Winnie			
DIM	TOL	①	Drawn	23.11.2018	Xavier			
Angle	±3°	①						
		Id.	Modification	Date	Name			

ASSMANN WSW-No. AWHW 06G-0202-R	
Drawing-No.	ASS 8284 CO
Replace	rev03
	Sheet 2/4



AWHW 20G-0202-T-R

Packing: 200pcs/Reel

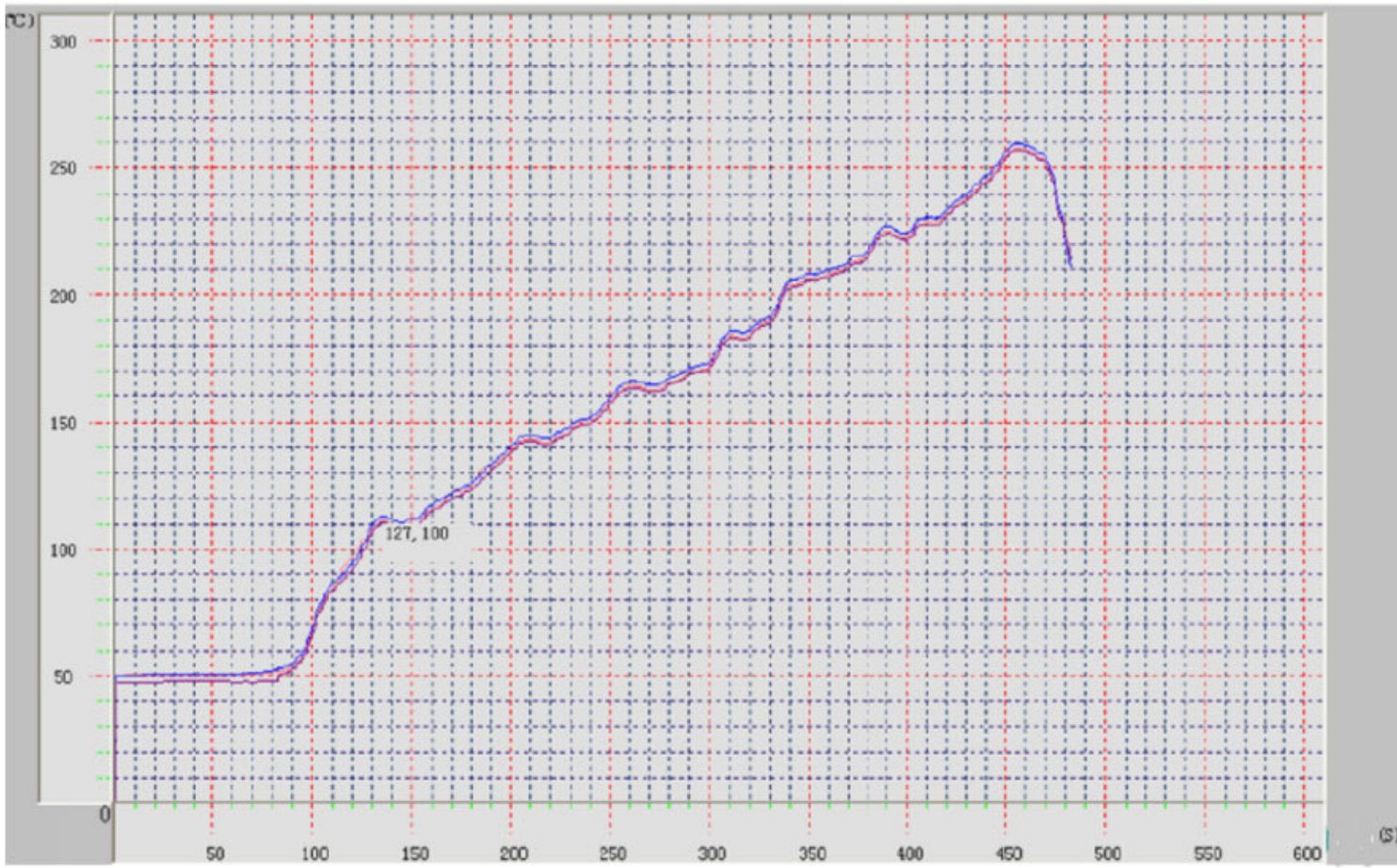
ITEM	W	A0	A1	B0	K0	K1	K2	P	F	E	D0	P0	P2	T
DIM	56.0 ^{+0.30} _{-0.30}	10.0 ^{+0.10} _{-0.10}	9.10 ^{+0.10} _{-0.10}	33.4 ^{+0.10} _{-0.10}	13.1 ^{+0.10} _{-0.10}	12.0 ^{+0.10} _{-0.10}	/	20.0 ^{+0.10} _{-0.10}	26.2 ^{+0.15} _{-0.15}	1.75 ^{+0.10} _{-0.10}	1.50 ^{+0.10} _{-0.10}	4.00 ^{+0.10} _{-0.10}	2.00 ^{+0.10} _{-0.10}	0.50 ^{+0.05} _{-0.05}

RoHS compliant


Unit: mm

Scale	Free				Date	Name	Customer-No.				
TOLERANCE					Drawn	23.11.2018	Xavier				
X.X	±0.40	③	Change plating to full Au-flash	11.05.2022	Daniel	Approved	30.11.2020	Winnie	ASSMANN WSW-No. AWHW 20G-0202-R		
X.XX	±0.25	②	Correct insulator color&add page2&3	30.11.2020	Winnie						
X.XXX	±0.15	①	Add the soldering temperature	15.07.2020	Winnie				Drawing-No.	ASS 8284 CO	rev03
DIM	TOL	①									
Angle	±3°	①	Drawn	23.11.2018	Xavier	Replace			Sheet	3/4	
		Id.	Modification	Date	Name						

SMT Type Product Past IR Reflow Graph



RoHS compliant
Unit: mm

Scale	Free					Date	Name	Customer-No.
TOLERANCE						Drawn	23.11.2018	Xavier
X.X	±0.40	③	Change plating to full Au-flash	11.05.2022	Daniel	Approved	30.11.2020	Winnie
X.XX	±0.25	②	Correct insulator color&add page2&3	30.11.2020	Winnie			
X.XXX	±0.15	①	Add the soldering temperature	15.07.2020	Winnie			
DIM	TOL	①	Drawn	23.11.2018	Xavier			
Angle	±3°	①						
		Id.	Modification	Date	Name			

ASSMANN WSW-No.
AHW xxG-0202-R

Drawing-No.
ASS 8284 CO rev03

Replace Sheet 4/4