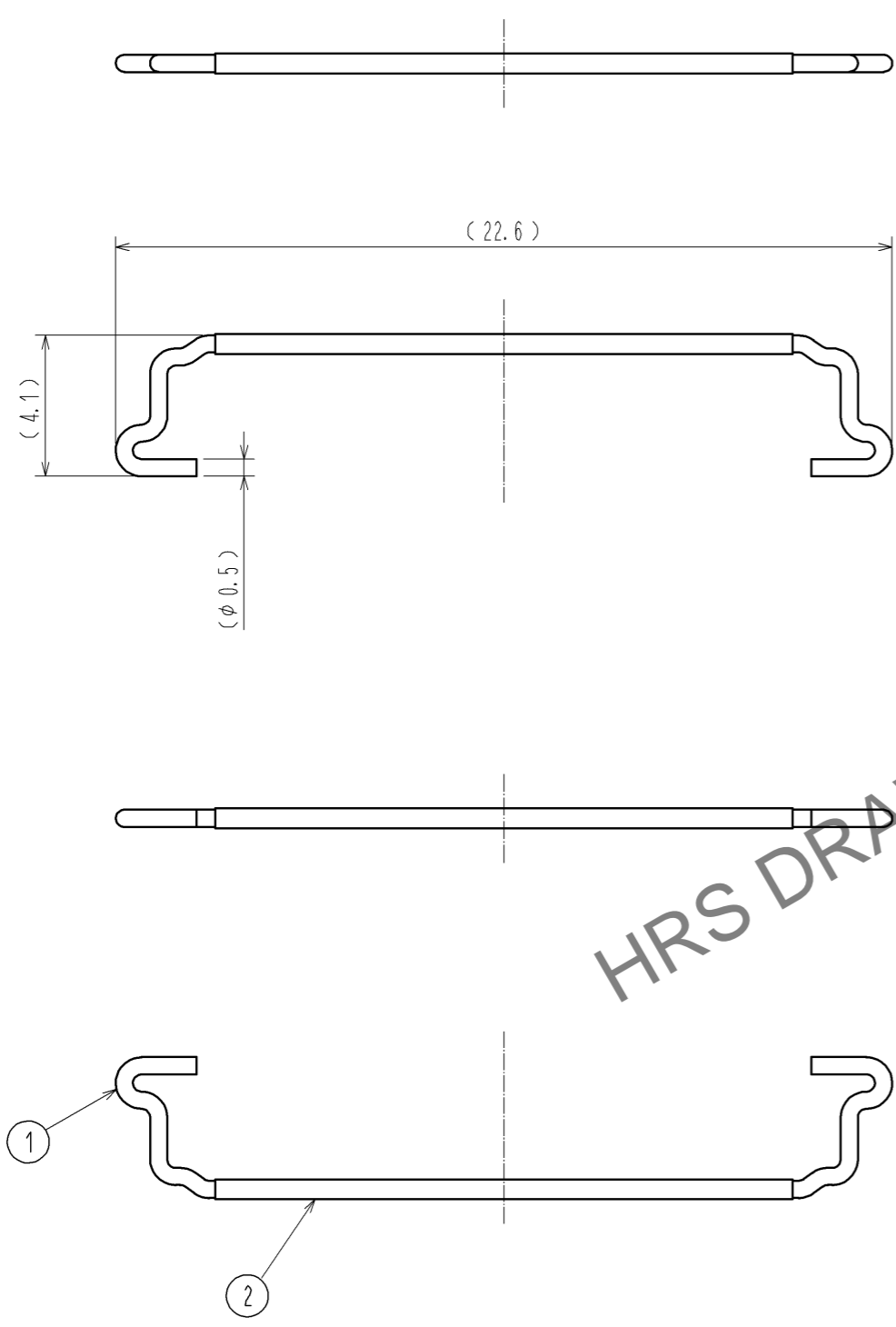
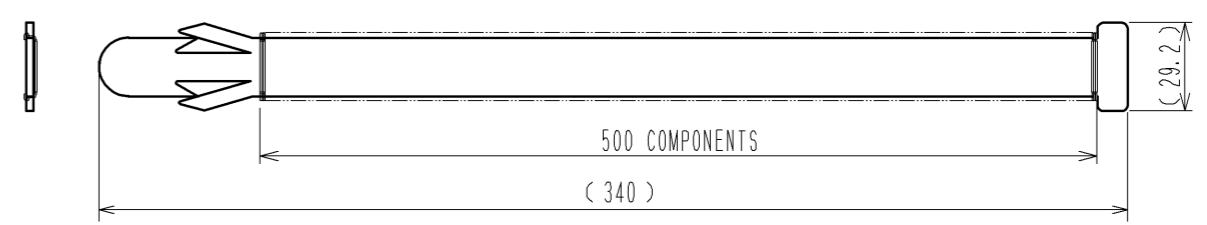


Jun.1.2024 Copyright 2024 HIROSE ELECTRIC CO., LTD. All Rights Reserved.
In case of consideration for using Automotive equipment / device which demand high reliability, kindly contact our sales window correspondents.



STICK STATE DRAWING (FREE)



- NOTES
1. PER BOX:1 STICKS. PER STICK:500 COMPONENTS.
(1 BOX = 1 STICKS 500 COMPONENTS)
 - 2 THE DETAILS OF THE LABEL ARE SHOWN BELOW.
 - 3 THE ASSEMBLY IS COMPLETED BY COMBINING THREE PARTS 'CONNECTOR UNIT, METAL SHIELDING' AND 'LATCH'. REFER TO THE TABLE FOR EACH ITEM No. PART NAME, PART No AND CODE No.
 4. DIMENSIONS IN PARENTHESES ARE FOR REFERENCE.

2 LABEL DETAILS FOR BOX (EXAMPLE)

| HRS | | INSPECTION 検査 |
|-------------------|------------------|------------------|
| CODE No. 品名コード | CL662-8109-9-52 | |
| PART NO. 品名 | DF81-40P-LCH(52) | |
| QTY 数量 | 500 PCS | |
| PECULIAR 仕様 | | |
| Lot No | | |
| SPLICE 継ぎ目 | | |

2 LABEL DETAILS FOR STICK (EXAMPLE)

| HRS | | INSPECTION 検査 |
|-------------------|------------------|------------------|
| CODE No. 品名コード | CL662-8109-9-52 | |
| PART NO. 品名 | DF81-40P-LCH(52) | |
| QTY 数量 | 500 PCS | |
| PECULIAR 仕様 | | |
| Lot No | | |
| SPLICE 継ぎ目 | | |

3

| ITEM No. | PART NAME | PART No. | CODE No. |
|----------|-----------------|---------------------|-----------------|
| - | CONNECTOR UNIT | DF81D-40P-0.4SD(52) | CL662-8120-1-52 |
| - | METAL SHIELDING | DF81-40P-SHL(52) | CL662-8108-6-52 |
| 1.2 | LATCH | DF81-40P-LCH(52) | CL662-8109-9-52 |

| | | | | | | | |
|--------------------------------------|----------|-------------------------|-----------|----------------------------|------------------|---------|------|
| 1 | SUS | - | 2 | POLYESTER | BLACK | | |
| NO. | MATERIAL | FINISH . REMARKS | NO. | MATERIAL | FINISH . REMARKS | | |
| UNITS mm | | SCALE 5 : 1 | COUNT | DESCRIPTION OF REVISIONS | DESIGNED | CHECKED | DATE |
| HRS HIROSE ELECTRIC CO., LTD. | | APPROVED : MH. YAMANE | 13.11.26 | DRAWING NO. EDC3-345355-02 | | | |
| | | CHECED : MH. TSUCHIDA | 13.11.25 | PART NO. DF81-40P-LCH(52) | | | |
| | | DESIGNED : AH. MIYAZAKI | 13.11.12 | CODE NO. CL662-8109-9-52 | | | |
| | | DRAWN : AH. MIYAZAKI | 13.11.12 | | | 1/1 | |