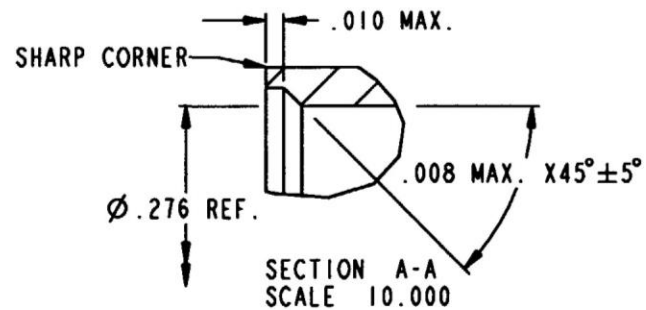
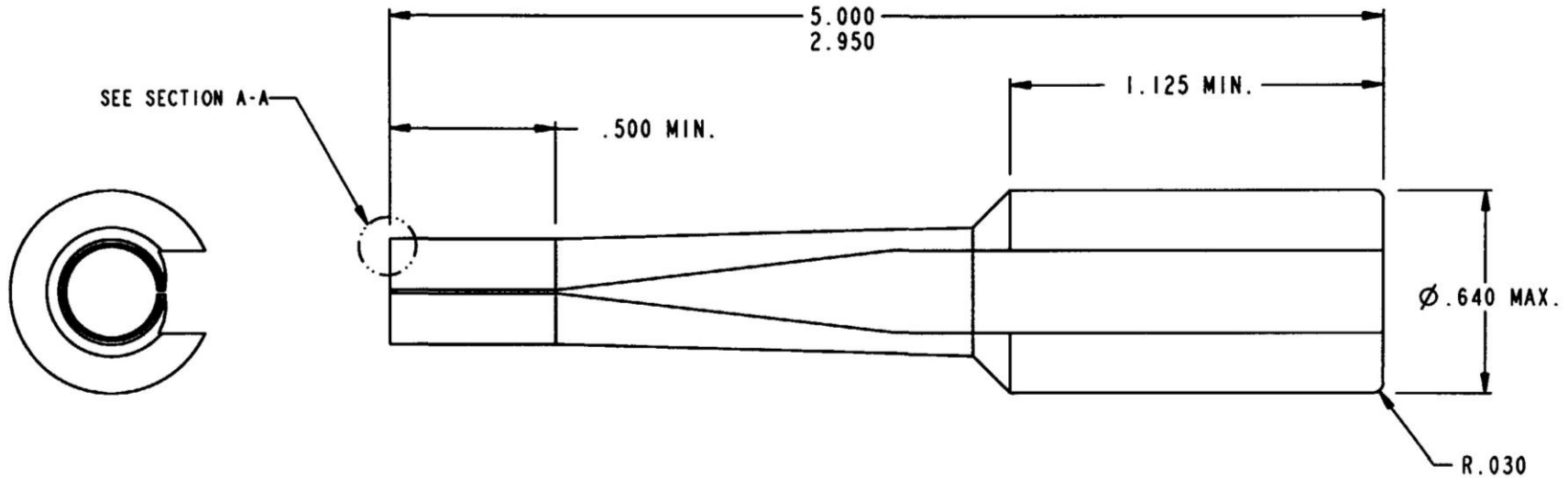


PROPERTY OF DEUTSCH E.C.D.

This drawing contains proprietary information that shall not be disclosed, duplicated, nor used in whole or in part for any purpose other than to evaluate this drawing.

N/C 6457-202-0800

REVISIONS			DATE	APPROVED
REV	DESCRIPTION			
N/C	NEW RELEASE PER E.O. C3478		9/11/98	MK



2. MATERIAL: GREEN DELRIN

1. DIMENSIONS ARE IN INCHES UNLESS OTHERWISE SPECIFIED.

NOTES:

SIGNATURE & DATE		TOOL, REMOVAL SIZE 8 DATA BUSS CONTACT M81969/14-12	CP	DATE CODE
DR	J. FRIEDHOF 9-10-98		DEUTSCH ENGINEERED CONNECTING DEVICES	
CHE	MK 9/11/98		5733 W. Whittier Ave. Hemet, California	
PE	J. FRIEDHOF 9-10-98		A	6457-202-0800
APPD	JF			CONC. ILLUM
SCALE	BY	ENVELOPE		