

PANEL CUT-OUT		
Z	Y	X
0.70~1.25	12.90~13.10	18.9~19.1
1.25~2.00	12.90~13.10	19.1~19.2
2.00~3.00	12.90~13.10	19.3~19.4

NOTES:

1. Rating:

CCC 6A 250VAC

6(8)A 250VAC

8A/128A 250VAC T105/55

UL CUL 10GPA 125VAC

6GPA 250VAC T105/55

VDE ENEC 6(4)A 250VAC T85/55

KC 6(4)A 250VAC T85/55

2. Circuit Diagram: 3P ON-ON

3. Terminal Strength: ≥80N

4. Electrical life: ≥10000 cycles

5. Withstand Voltage: Withstand Voltage: 1500VAC 1min

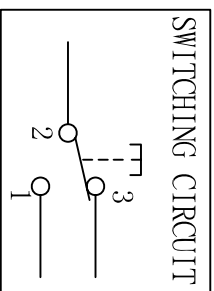
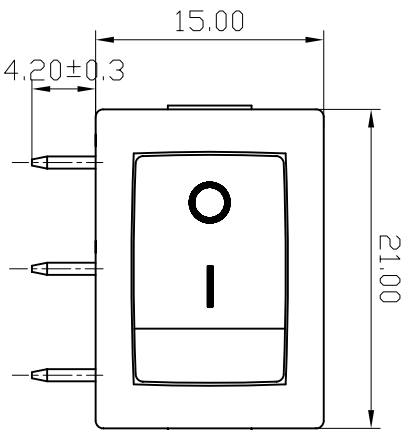
Terminals to Button: 3000VAC 1min

6. Leakage Current: 1mA

7. Current resistance: ≤50mΩ (initial)

8. Insulation resistance: ≥100MΩ

9. Body Material: NYLON 66 94V-2~0



# 深圳市华灿天禄电子有限公司

普通公差:  
COMMON TOLERANCE:

A4		
A3		
A2	UP TO 5	±0.20
A1	ABOVE 5 TO 30	±0.30
REV.	DATE	REVISION DESCRIPTION
		ISSUE
		ANGULAR
		±5°

单位名称	mm	投影	梁金勇	品名	跷板开关	比例	Free
绘图	周金勇	校对	梁金勇	型号	RS601		
日期	2015.9.15	核准	周培雷	图号	RS601A-1020013BB		
DATE		APPROVAL BY		DWG. NO.			