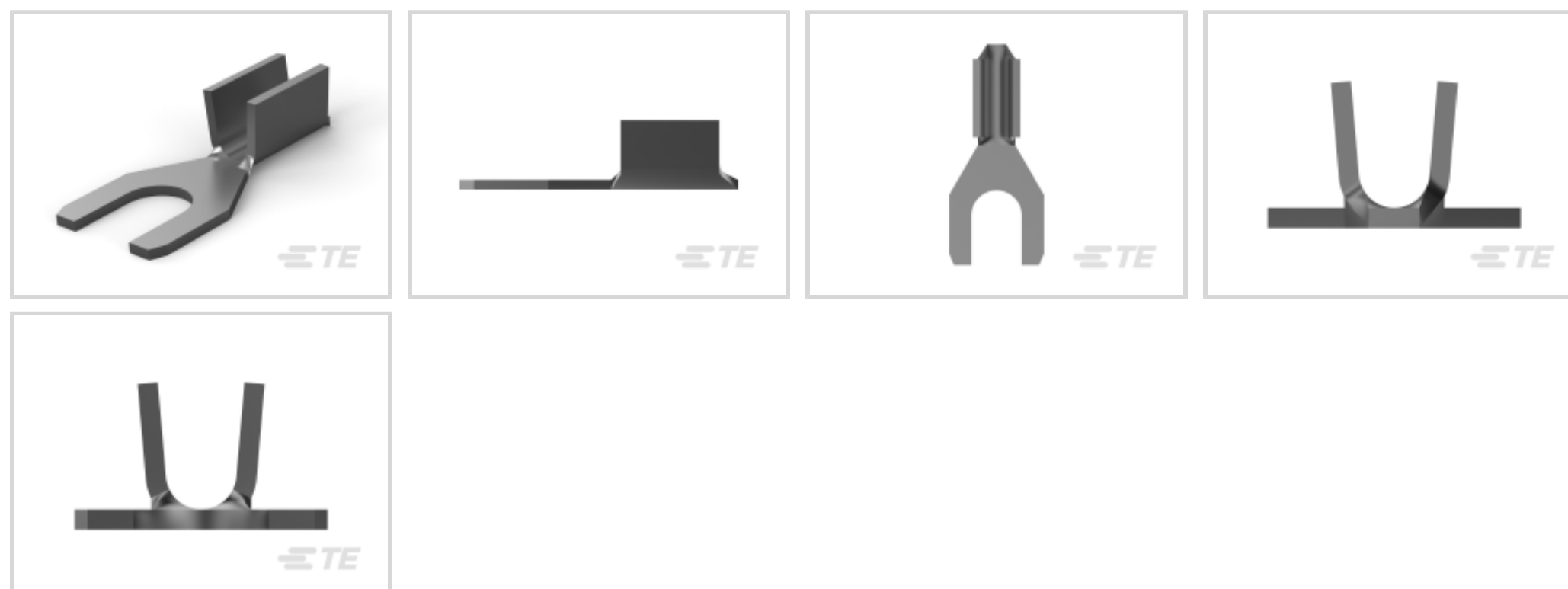




Terminals & Splices > Spade Terminals



Spade Terminal Type: **Spade Tongue Terminal**

Wire Size: **1021 – 1624 CMA**

Stud Size: **#5, M3**

Features

Product Type Features

Shape Description	Square Spade
Stud Size	#5, M3
Sealable	No
Compatible With Discrete Wire Type	Stranded
Wire Insulation Support Retention Type	Insulation Piercing

Body Features

Product Weight	.334 g
----------------	--------

Contact Features

Contact Base Material	Brass
Spade Terminal Type	Spade Tongue Terminal
Barrel Type	Open
Terminal Orientation	Straight
Terminal Plating Material	Tin
Contact Underplating Material	None

Mechanical Attachment

Wire Insulation Support	With
-------------------------	------



Dimensions

	.065 in
Wire Size	1021 – 1624 CMA
Stud Diameter	3.37 mm [.133 in]
Tongue Thickness	.51 mm [.02 in]
Product Length	13.72 mm [.54 in]
Barrel Inside Diameter	1.77 mm [.07 in]
Compatible Insulation Diameter (Max)	2.03 mm [.08 in]
Compatible Insulation Diameter Range	1.65 – 2.03 mm [.065 – .08 in]

Usage Conditions

Insulation Option	Uninsulated
Operating Temperature Range	110 °C [230 °F]

Operation/Application

Compatible With Wire Base Material	Copper
------------------------------------	--------

Industry Standards

Government Qualified Terminal	No
-------------------------------	----

Packaging Features

Packaging Quantity	20000
Packaging Method	Strip/Reel

Product Compliance

[For compliance documentation, visit the product page on TE.com>](#)

EU RoHS Directive 2011/65/EU	Compliant
EU ELV Directive 2000/53/EC	Compliant
China RoHS 2 Directive MIIT Order No 32, 2016	No Restricted Materials Above Threshold
EU REACH Regulation (EC) No. 1907/2006	Current ECHA Candidate List: JUNE 2024 (241) Candidate List Declared Against: JUNE 2024 (241) Does not contain REACH SVHC
Halogen Content	Low Halogen - Br, Cl, F, I < 900 ppm per homogenous material. Also BFR/CFR/PVC Free
Solder Process Capability	Not applicable for solder process capability

Product Compliance Disclaimer

This information is provided based on reasonable inquiry of our suppliers and represents our current actual knowledge based on the information they provided. This information is subject to change. The part numbers that TE has identified as EU RoHS compliant have a maximum concentration of 0.1% by weight in homogenous materials for lead, hexavalent chromium, mercury, PBB, PBDE, DBP, BBP, DEHP, DIBP, and 0.01% for cadmium, or qualify for an exemption to these limits as defined in the Annexes of Directive 2011/65/EU (RoHS2). Finished electrical and electronic equipment products will be CE marked as required by Directive 2011/65/EU. Components may not be CE marked. Additionally, the part numbers that TE has identified as EU ELV compliant have a maximum concentration of 0.1% by weight in homogenous materials for lead, hexavalent chromium, and mercury, and 0.01% for cadmium, or qualify for an exemption to these limits as defined in the Annexes of Directive 2000/53/EC (ELV). Regarding the REACH Regulation, the information TE provides on SVHC in articles for this part number is based on the latest European Chemicals Agency (ECHA) 'Guidance on requirements for substances in articles' posted at this URL: <https://echa.europa.eu/guidance-documents/guidance-on-reach>

Compatible Parts



TE Part # 61498-2
SPADE 28-22 AWG .0157 X .310 TPBR

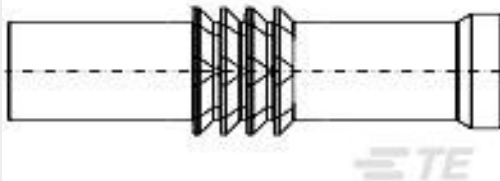


TE Part # 672185-1
STD EMPR 110FK


Customers Also Bought



TE Part #1445693-3
SOCKET CONTACT,QUADRAX,SZ8,RR



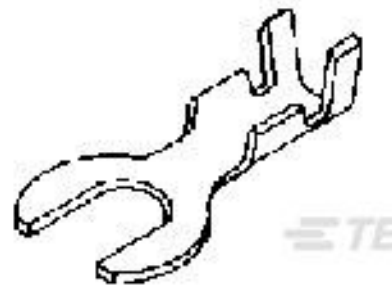
TE Part #1811633-1
SEAL PLUG



TE Part #34138
SPLICE,SOLIS PARA 12-10



TE Part #208262-3
5009-328-0022



TE Part #350502-2
SPADE TERMINAL (ST) 28-22 AWG



TE Part #320553
PIDG R 22-16 COMM 22-18 MIL 4



TE Part #YDTS26F19-35PAV001
PLUG ASSY



TE Part #218208-002
22759/34-16-9



Documents

Product Drawings

SPADE TERMINAL (ST) TERMINAL TPBR

English

CAD Files

3D PDF

3D

Customer View Model

[ENG_CVM_CVM_42339-2_V_c-42339-2-v.2d_dxf.zip](#)

English

Customer View Model

[ENG_CVM_CVM_42339-2_V_c-42339-2-v.3d_igs.zip](#)

English

Customer View Model

[ENG_CVM_CVM_42339-2_V_c-42339-2-v.3d_stp.zip](#)

English

By downloading the CAD file I accept and agree to the [Terms and Conditions](#) of use.

Product Specifications

Engineering Report

English