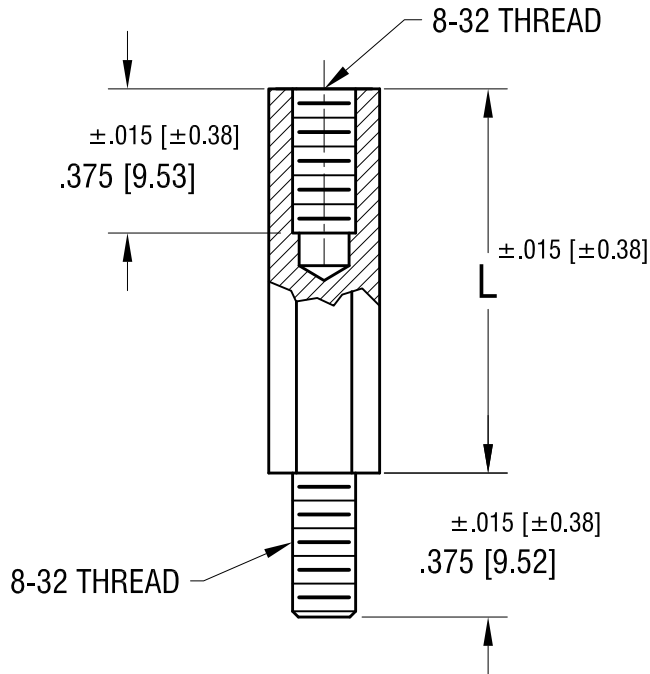
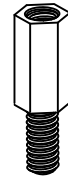
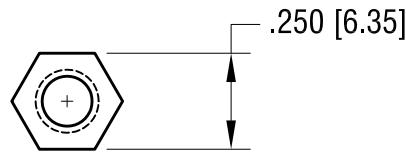


THIS DOCUMENT IS THE PROPERTY OF  
KEYSTONE ELECTRONICS CORP. AND  
SHALL NOT BE REPRODUCED, DISTRIBUTED  
OR USED AS A BASIS FOR MANUFACTURE  
WITHOUT PRIOR WRITTEN PERMISSION  
FROM KEYSTONE ELECTRONICS CORP.

**ACTUAL SIZE**  
**PART NUMBER 4830**



PART NO.	'L' DIM.
4830	.500 [12.70]
4831	.625 [15.87]
4832	.750 [19.05]
4833	.875 [22.22]
4834	1.000 [25.4]
4835	1.125 [28.57]

**KEYSTONE ELECTRONICS CORP.**

www.keyelco.com • NEW HYDE PARK, NY 11040 • Tel (516) 328-7500

PART NAME			
NYLON M/F HEX STANDOFF			
MATERIAL			
NYLON 6/6 UL 94V-2			
FINISH		DRN BY	DATE
NONE		BOONE	5.03.02
		APP'D	SCALE
		RH	2X
TOLERANCES	INCH [MM]	CODE	DWG NO.
DECIMAL	± .005 [± 0.13]	C	4830-4835
ANGULAR	± 1°		
UNLESS OTHERWISE SPECIFIED			

DATE	DESCRIPTION	REV.