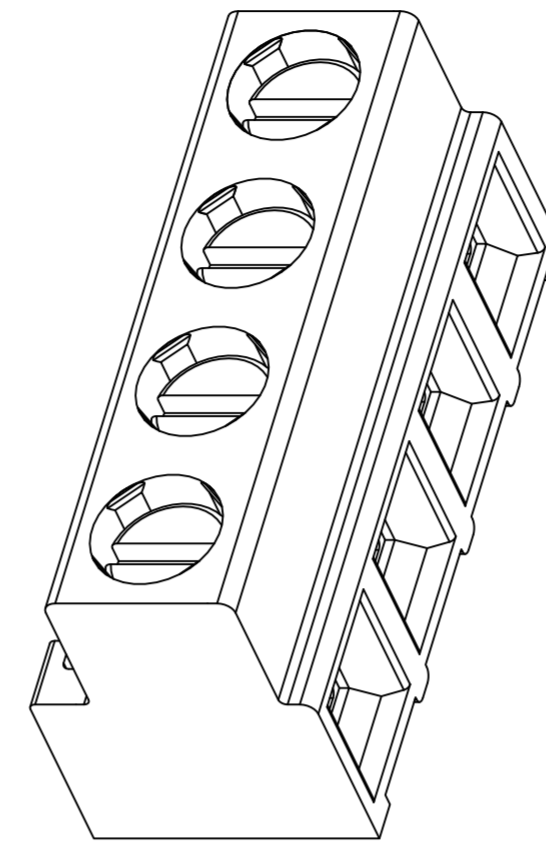
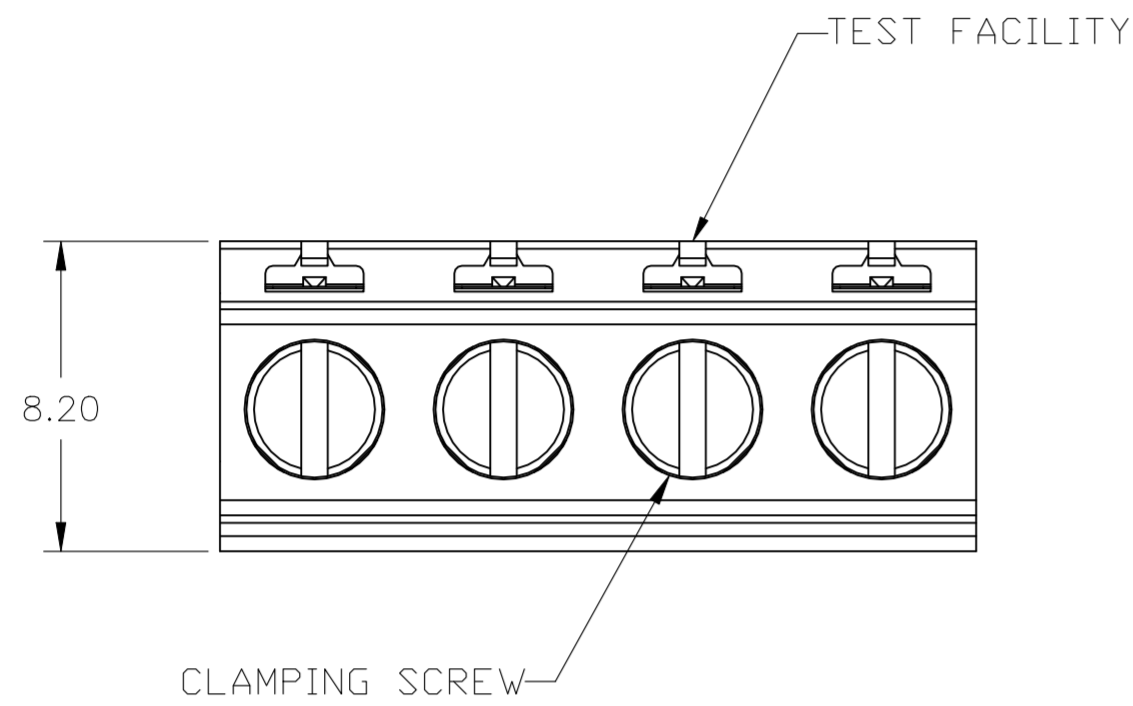
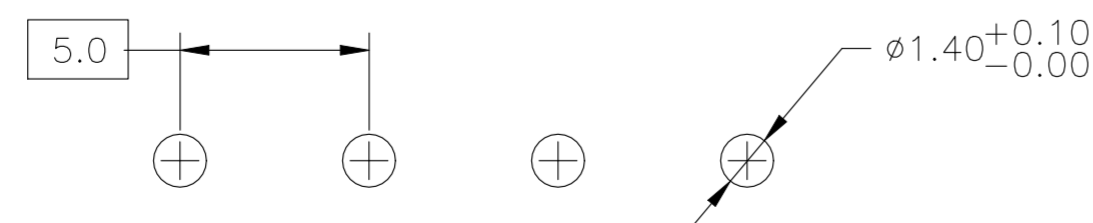
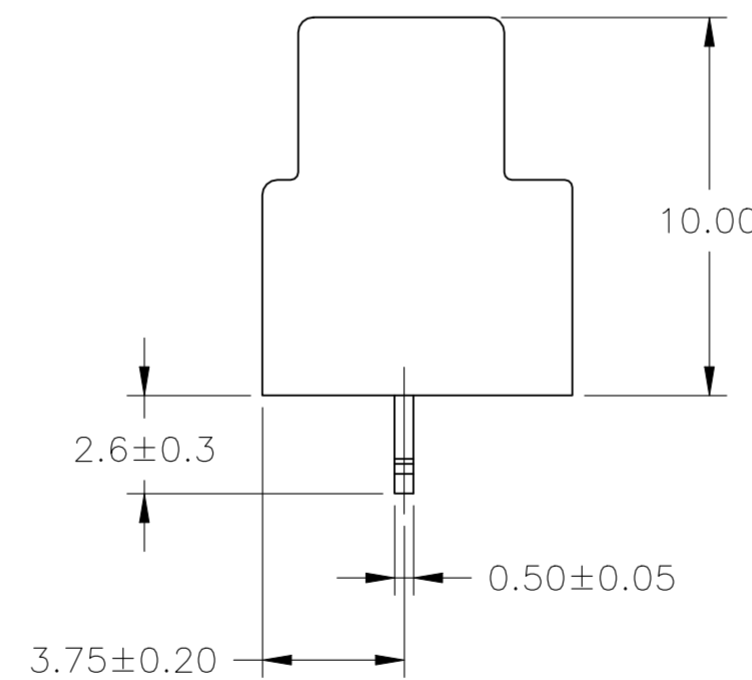
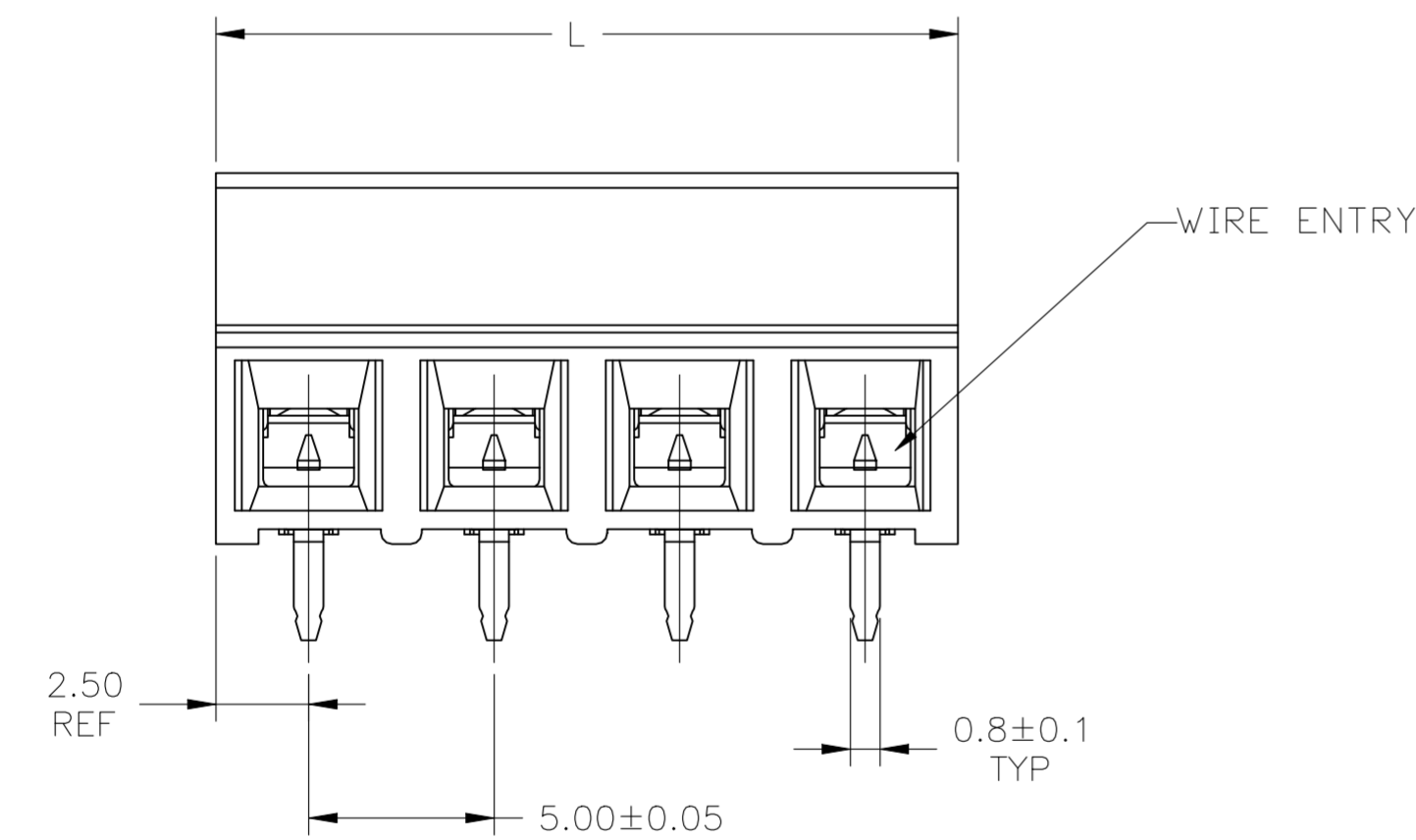


P	LTR	DESCRIPTION	DATE	DWN	APVD
A3		PN 1776118-2 IS OBSOLETE IN DRAWING	13NOV2023	SP	PS



1776118-4 AS SHOWN

- 1 MATERIAL AND FINISH:
HOUSING: HIGH TEMP POLYAMIDE, UL 94V-0 RATED,
COLOR - BLACK
CLAMP: BRASS, NICKEL PLATED
TERMINAL: BRASS, TIN PLATED
CLAMPING SCREW: M3, BRASS, NICKEL PLATED
- 2 END-TO-END STACKABLE WITHOUT LOSS OF CENTERLINE SPACING
- 3 WIRE SIZE RANGE: 16-28 AWG
- 4 RECOGNIZED UNDER THE COMPONENT PROGRAM OF UNDERWRITERS LABORATORIES INC. FILE NO. E60677
- 5 IMQ CERTIFICATE WITH SURVEILLANCE IN COMFORMITY WITH IEC 998-17998-2-1.



RECOMMENDED PCB BOARD LAYOUT

OBSELETE	TAPE AND REEL	15.0	3	1-1776118-3
-	-	40.0	8	1776118-8
-	-	35.0	7	1776118-7
-	-	30.0	6	1776118-6
-	-	25.0	5	1776118-5
-	-	20.0	4	1776118-4
-	-	15.0	3	1776118-3
OBSELETE	-	10.0	2	1776118-2
	PACKAGING	L.	NUMBER OF POSN.	PART NO.

THIS DRAWING IS A CONTROLLED DOCUMENT.		DWN	JR_RUTH	28OCT2010		TE Connectivity				
DIMENSIONS: mm		CHK	C. RICHARD	28OCT10		NAME				
TOLERANCES UNLESS OTHERWISE SPECIFIED:		APVD	C. RICHARD	28OCT10		PRODUCT SPEC				
0 PLC ± -		APPLICATION SPEC				TERMINAL BLOCK ASSEMBLY, PCB MOUNT, SIDE ENTRY WIRE, STACKING 5.00mm PITCH				
1 PLC ± .2		SIZE	A2	CAGE CODE	00779	DRAWING NO	C=1776118		RESTRICTED TO	
2 PLC ± .15		WEIGHT				SCALE		5:1	SHEET	1 OF 1
3 PLC ± -		CUSTOMER DRAWING		SCALE		5:1		SHEET	1 OF 1	REV
4 PLC ± -										A3
ANGLES ± -										
FINISH										