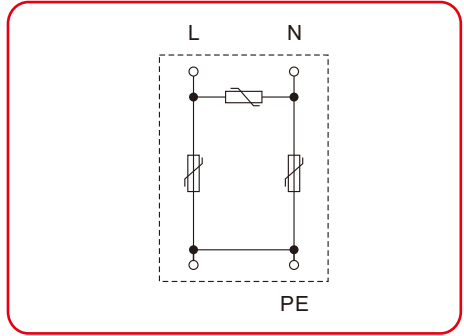
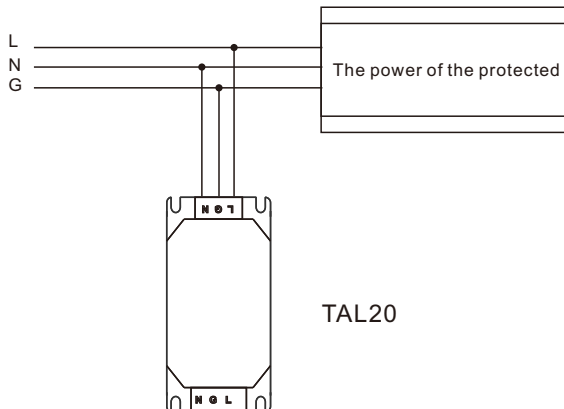


TAL20



TAL20 Basic circuit diagram

LED路灯电源防雷器TAL20适用于LED路灯电源进线端，全密封外壳，防水防尘，IP67防护等级；属于三级电源防雷器。产品体积小巧，尺寸37×46×93mm；采用并联接线方式，且自带L、N和PE连接线，安装应用十分方便。该产品最大通流量20kA/线，标称放电电流10kA/线，能够耐受40kV的电压冲击，特别适合LED路灯电源浪涌防护的配套使用。



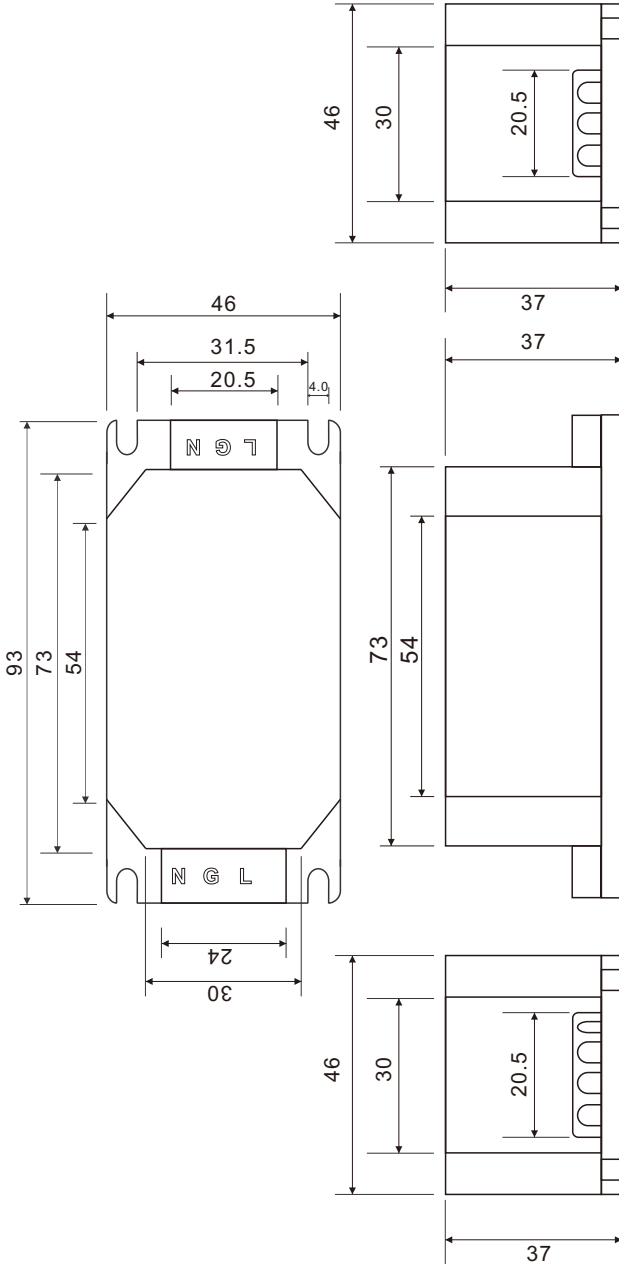
Connection Diagram

LED Street Lights Power SPD: TAL20 designed for protecting LED Driver and could be connected perfectly with its input port, sealed enclosure, waterproof and dustproof, IP67 protection grade, belongs to Class III power SPD.

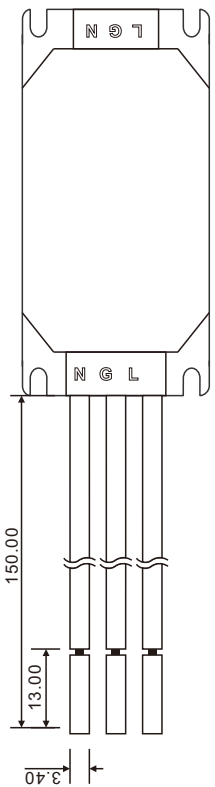
The product size small, 37×46×93mm, using parallel wiring, attached with L, N and PE cable, very convenient in installing. The maximum discharge current is 20kA/line, nominal discharge current is 10kA/line, able to withstand voltage 40kV, especially good for protecting LED Street lights from lightning surge damage.

SPECIFICATION

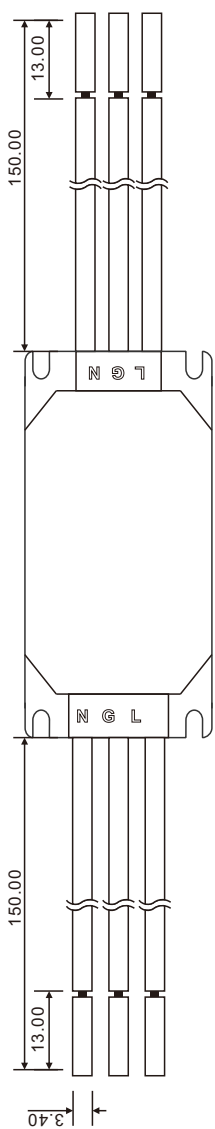
Type	型号		TAL20
Rated voltage	额定电压		110~277VAC
Max. Continuous voltage	最大持续工作电压	U _c	320VAC
Nominal discharge current(8/20μs)	标称放电电流(T2)	I _n	10kA
Max. discharge current (8/20μs)	最大通流量(T2)	I _{max}	20kA
Nominal discharge voltage	标称冲击电压(T3)	V _n	20kV
Maximum discharge voltage	最大冲击电压(T3)	V _{max}	40kV
Voltage protection level	保护水平	U _p	1.5kV
Response time	响应时间	t _a	25ns
Cross-section area	接线导体截面		2.0mm ² flexible (多股线)
Operating temperature range	工作温度范围	T	-40°C~+80°C
Mounting on	安装支架		Custom (自定义)
Enclosure material	外壳材料		ABS765A(94V0)
Size	产品尺寸		37×46×93mm
Test standards	测试依据		IEC61643-11:2011/EN61643-11:2011
Outer casing protection grade	防护等级		IP67
Weight	产品重量		175g



TAL10、TAL20、TAL10S、TAL20S Dimension Figure



TAL10, TAL20



TAL10S, TAL20S

TAL10, TAL20, TAL10S, TAL20S Dimension Figure