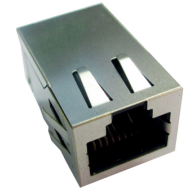


RJ45 1000 Base-T Jack with Magnetic Module and PoE

ARJ-146

RoHS/RoHS II Compliant



16.60 x 13.50 x 32.60mm

FEATURES:

- Compliant with IEEE802.3af standard
- 350uH minimum OCL with 8mA bias current
- High performance for maximum EMI suppression
- 15W, 350mA, 48V PoE Rating
- Enhanced reliability – 5000 mating/unmating cycles

APPLICATIONS:

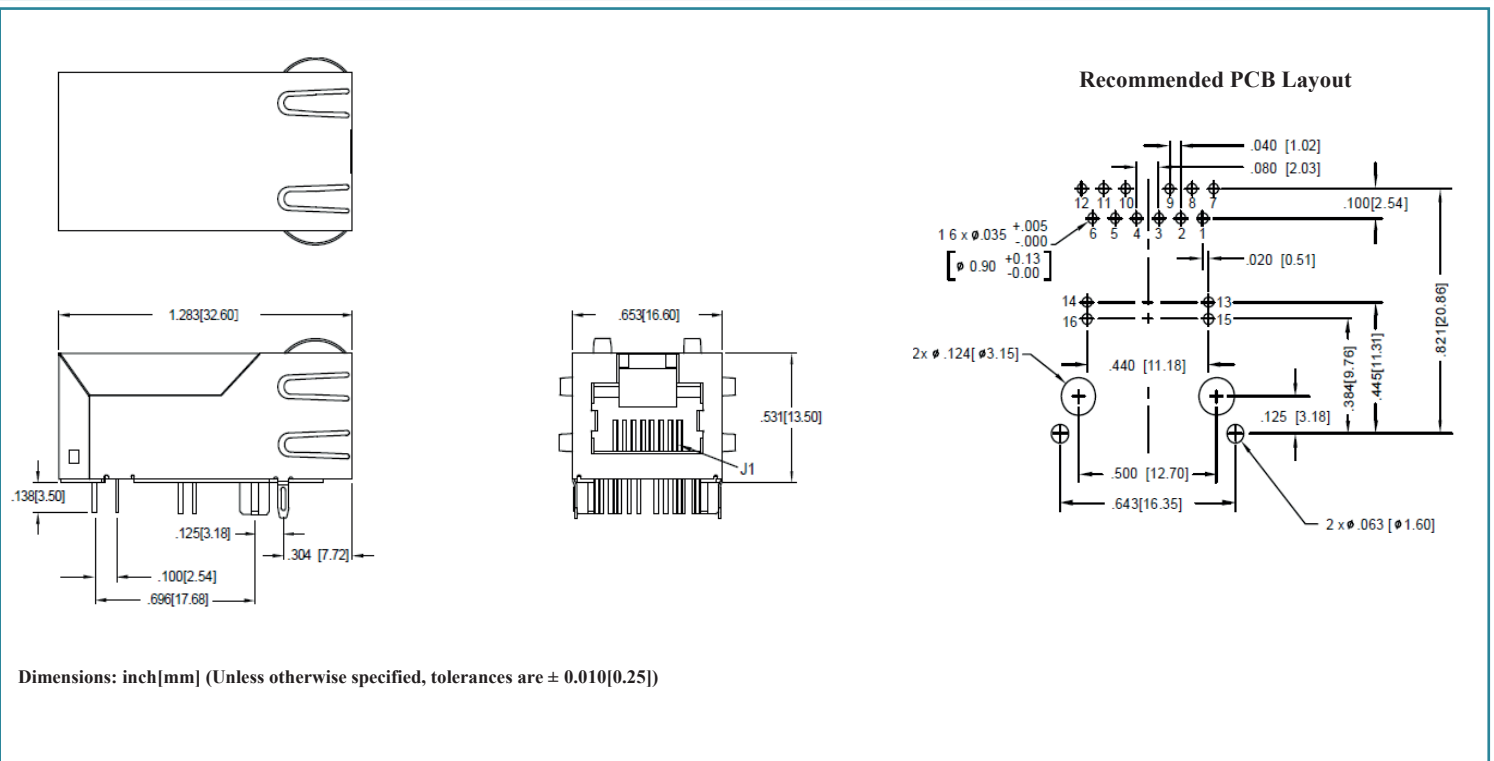
- Designed for most leading PHY IC manufacturers such as Broadcom, Marvell, Microsemi.
- Single port connector for PoE applications
- 1000 Base-T LAN
- NIC, LoM and PC

STANDARD SPECIFICATIONS at 25°C

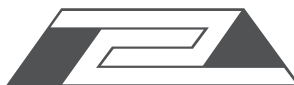
Operating temperature range: 0°C to +70°C Storage temperature range: -40°C to +85°C

Parameters	Minimum	Typical	Maximum	Units	Notes
Turn Ratio (±3%)	1CT:1CT				
Inductance	350			uH	100kHz/0.1V@8mA (4 Channels)
Insertion Loss			-1.2	dB	0.1-80MHz
Return Loss	-19			dB	1-30MHz
	-13				30-60MHz
	-12				60-80MHz
	-10				80-100MHz
Crosstalk		-33+20log(f/50MHz)		dB	1-100MHz
CMR		-30		dB	0.03-100MHz
High Pot	1500Vrms/0.5mA/1Sec				
PoE Rating	15W, 350mA, 48V				

MECHANICAL DIMENSIONS



ABRACON IS
ISO 9001:2008
CERTIFIED



ABRACON
CORPORATION

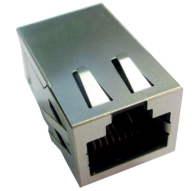
Visit www.abracon.com for Terms & Conditions of Sale
30332 Esperanza, Rancho Santa Margarita, California 92688
tel 949-546-8000 | fax 949-546-8001 | www.abracon.com

Revised: 05.07.13

RJ45 1000 Base-T Jack with Magnetic Module and PoE

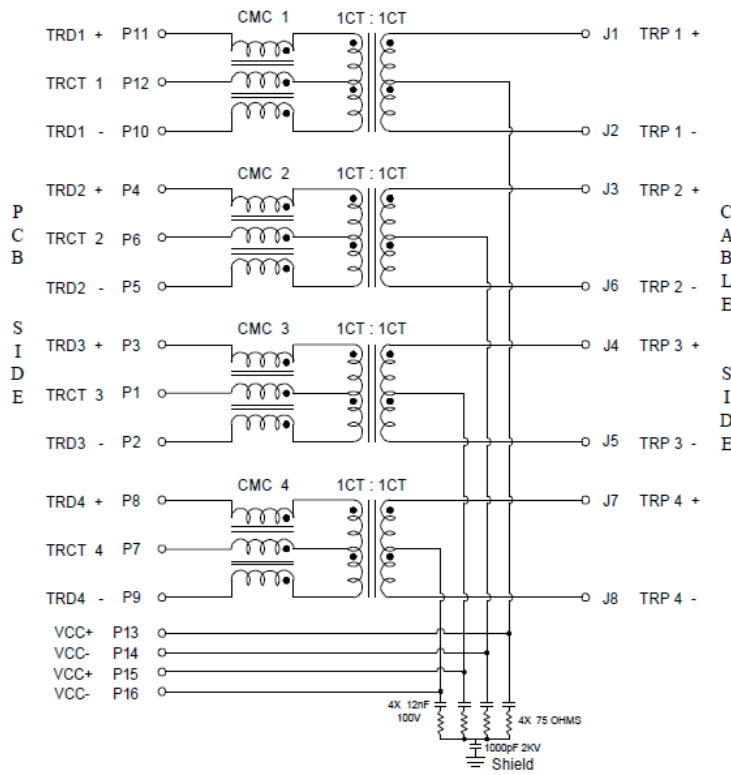
ARJ-146

RoHS/RoHS II Compliant

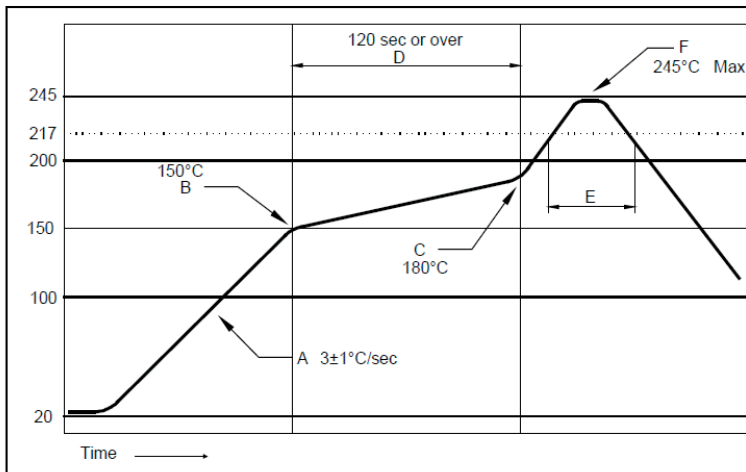


16.60 x 13.50 x 32.60mm

SCHEMATICS



REFLOW PROFILE:



Contents	Soldering Condition
A: Increasing speed	3±1°C/sec
B: Pre-heat starting Temp	150°C
C: Pre-heat ending Temp	180°C
D: Pre-heat interval	120 sec or over
E: Over 217°C time	60~150 sec
F: Peak Temperature	245°C Max

Packing: 120pcs/tray

ATTENTION: Abracon Corporation's products are COTS – Commercial-Off-The-Shelf products; suitable for Commercial, Industrial and, where designated, Automotive Applications. Abracon's products are not specifically designed for Military, Aviation, Aerospace, Life-dependant Medical applications or any application requiring high reliability where component failure could result in loss of life and/or property. For applications requiring high reliability and/or presenting an extreme operating environment, written consent and authorization from Abracon Corporation is required. Please contact Abracon Corporation for more information.

ABRACON IS
ISO 9001:2008
CERTIFIED



**ABRACON
CORPORATION**

Visit www.abracon.com for Terms & Conditions of Sale
30332 Esperanza, Rancho Santa Margarita, California 92688
tel 949-546-8000 | fax 949-546-8001 | www.abracon.com

Revised: 05.07.13