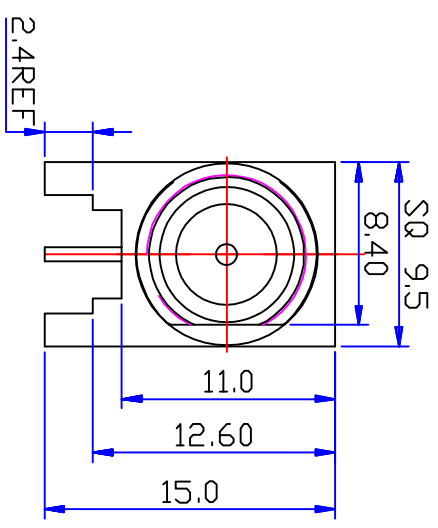
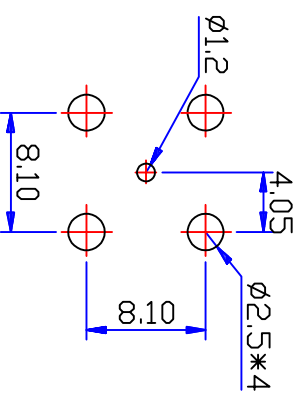
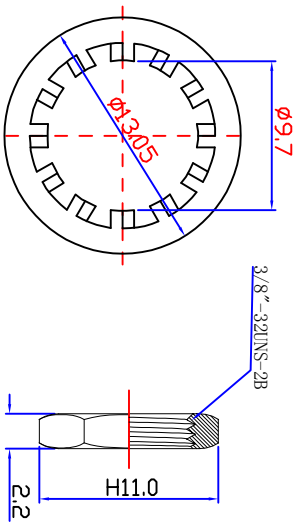
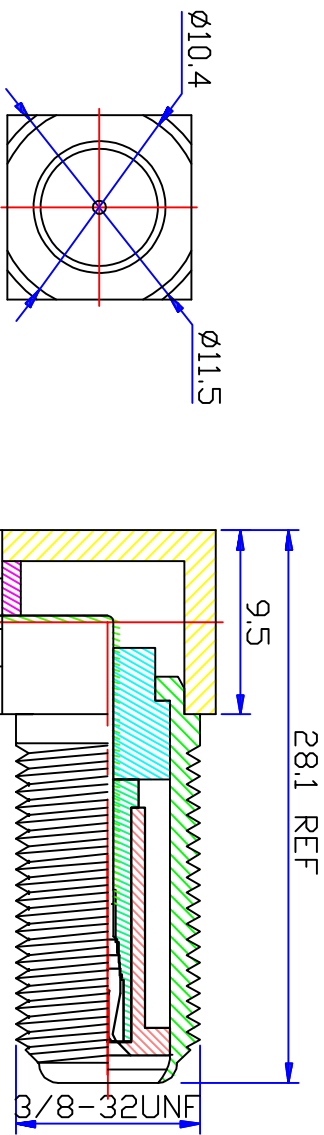




Product NO.		DOSIN-803-0182		
REV	DESCRIPTION	DMN	DATE	APPROVEN
A	First issue	Mr. chen	2016/05/06	John kine
B	UPDATED SIZE	Deng	2022/10/13	John kine



Specifications

Impedance: 75 Ohms
 Frequency Range: DC~3G
 VSWR: 30dB Return loss @ 1GHZ
 Working Voltage: 15 watts continuous
 Insulation Resistance: 5000 Ohms min
 Temperature Range: -40°C T0 +60°C
 Drawings products are in line with ROHS standards

1	Body	Brass	NICKEL	NOTE:									
2	Insulator	POM	None	DRAWN Deng	Tolerance	X. ±0.15							
3	Center contact	Phosphor	SN			X. X ±0.10							
4	washer	Brass	NICKEL			X. XX ±0.05							
5	nut	Brass	NICKEL			Angular ±5°							
6				CHECKED	View	Angular							
7					UNIT	MM							
8					SCALE	1:1							
9				APPROVALS	DATE	SIZE							
10	Component Number	Material	Finish	APPROVALS <i>Deng Xie</i>	2022/10/13	A							
A		B		C		D		E		F		G	

Name: F JACK R/A FOR PCB
 dosincom Dosin Industrial (H.K.) Co. Ltd
 东莞市德索五金电子有限公司
 Dosin Hardware Electronics Co., Ltd
 E-mail: dosin2005@163.com
 dosin2005@dosin-china.com
 Web: http://www.dosincom.com
 TEL: (0086) 769-81153906
 FAX: (0086) 769-81875836

DATE: 2022/10/13
 Product NO.: DOSIN-803-0182
 CAD FILE: D:/company drawings/BD
 SHEET: 1 OF 1