

# MNT-1 D/WH - Type 3 surge protection device



2882213

<https://www.phoenixcontact.com/us/products/2882213>

Please be informed that the data shown in this PDF document is generated from our online catalog. Please find the complete data in the user documentation. Our general terms of use for downloads are valid.



Attachment connector with surge protection for mains sockets, mains control lamp, optical power and error display. For country-specific use in: D, A, I, NL, S, N, FIN, E, P. Color: White

## Commercial data

Item number	2882213
Packing unit	1 pc
Minimum order quantity	1 pc
Sales key	CL01
Product key	CL1421
Catalog page	Page 88 (C-4-2019)
GTIN	4046356073547
Weight per piece (including packing)	125.3 g
Weight per piece (excluding packing)	69.35 g
Customs tariff number	85363010
Country of origin	DE

# MNT-1 D/WH - Type 3 surge protection device



2882213

<https://www.phoenixcontact.com/us/products/2882213>

## Technical data

### Product properties

Product type	Device protection
Product family	MAINTRAB
IEC power supply system	TN
	TT
Type	Attachment plug
Number of positions	2
For country-specific use in	D, A, NL, E, S, FIN, TR
Surge protection fault message	optical

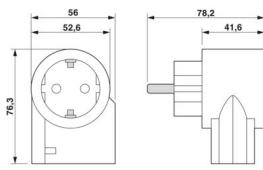
### Insulation characteristics

Overvoltage category	III
Pollution degree	2
IEC test classification	III
	T3
EN type	T3
Number of ports	One

### Connection data

Connection method	Grounding plug/socket
-------------------	-----------------------

### Dimensions

Dimensional drawing	
Width	56 mm
Height	76 mm
Depth	78 mm

### Material specifications

Color	white (RAL 9010)
	black (RAL 9005)
Flammability rating according to UL 94	V-0
CTI value of material	400
	600
Insulating material	PA 6
Housing material	PA 6

### Protective circuit

# MNT-1 D/WH - Type 3 surge protection device



2882213

<https://www.phoenixcontact.com/us/products/2882213>

Mode of protection	L-N
	L-PE
	N-PE
Direction of action	L(N)-PE
Nominal voltage $U_N$	230/400 V AC (TN/TT)
Nominal frequency $f_N$	50 Hz (60 Hz)
Maximum continuous operating voltage $U_C$ (L-N)	275 V AC
Maximum continuous operating voltage $U_C$ (L-PE)	360 V AC
Maximum continuous operating voltage $U_C$ (N-PE)	360 V AC
Rated load current $I_L$	16 A (30 °C)
Residual current $I_{PE}$	$\leq 5 \mu\text{A}$
Standby power consumption $P_C$	$\leq 1.00 \text{ VA}$
Reference test voltage $U_{REF}$	255 V AC
Combination wave $U_{OC}$	6 kV
Voltage protection level $U_p$	$\leq 1.5 \text{ kV}$
TOV behavior at $U_T$ (L-N)	460 V AC (5 s / withstand mode)
	460 V AC (120 min / safe failure mode)
TOV behavior at $U_T$ (L-PE)	460 V AC (5 s / withstand mode)
	460 V AC (120 min / withstand mode)
	1455 V AC (200 ms / safe failure mode)
TOV behavior at $U_T$ (N-PE)	1200 V AC (200 ms / safe failure mode)
Response time $t_A$ (L-N)	$\leq 25 \text{ ns}$
Response time $t_A$ (L-PE)	$\leq 100 \text{ ns}$
Response time $t_A$ (N-PE)	$\leq 100 \text{ ns}$
Max. required back-up fuse	16 A (gG / B / C)
Short-circuit current rating $I_{SCCR}$	1.5 kA AC

## Environmental and real-life conditions

### Ambient conditions

Degree of protection	IP20 (Child-proofing)
Ambient temperature (operation)	-25 °C ... 75 °C
Ambient temperature (storage/transport)	-25 °C ... 75 °C
Altitude	$\leq 2000 \text{ m (amsl)}$
Permissible humidity (operation)	5 % ... 95 %

## Standards and regulations

Standards/specifications	IEC 61643-11
Note	2011
Standards/specifications	EN 61643-11
Note	2019

## Mounting

Mounting type	Plugging into the mains socket
---------------	--------------------------------

# MNT-1 D/WH - Type 3 surge protection device

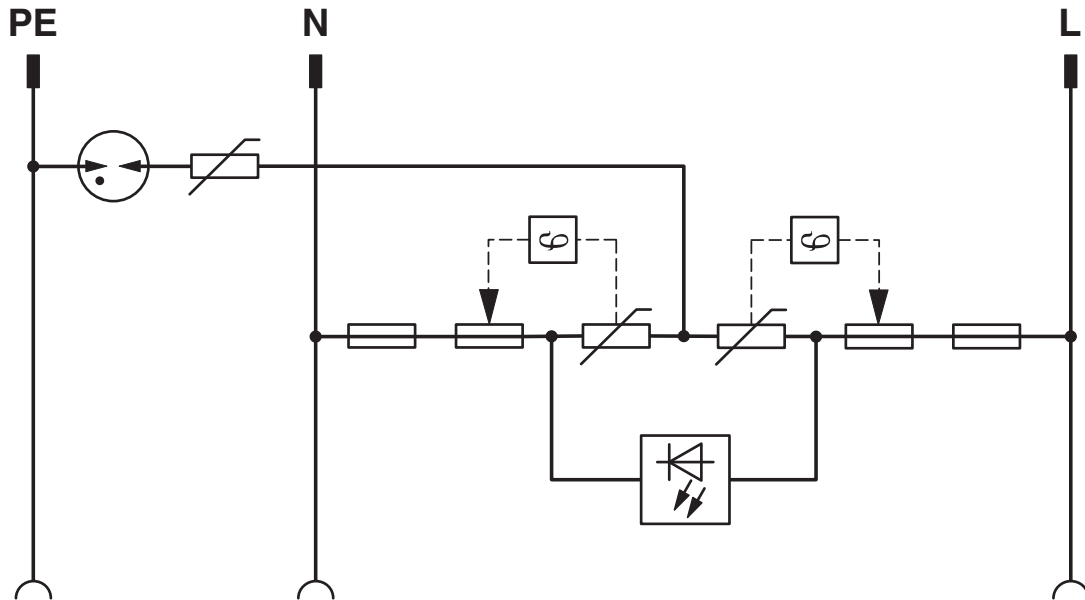


2882213

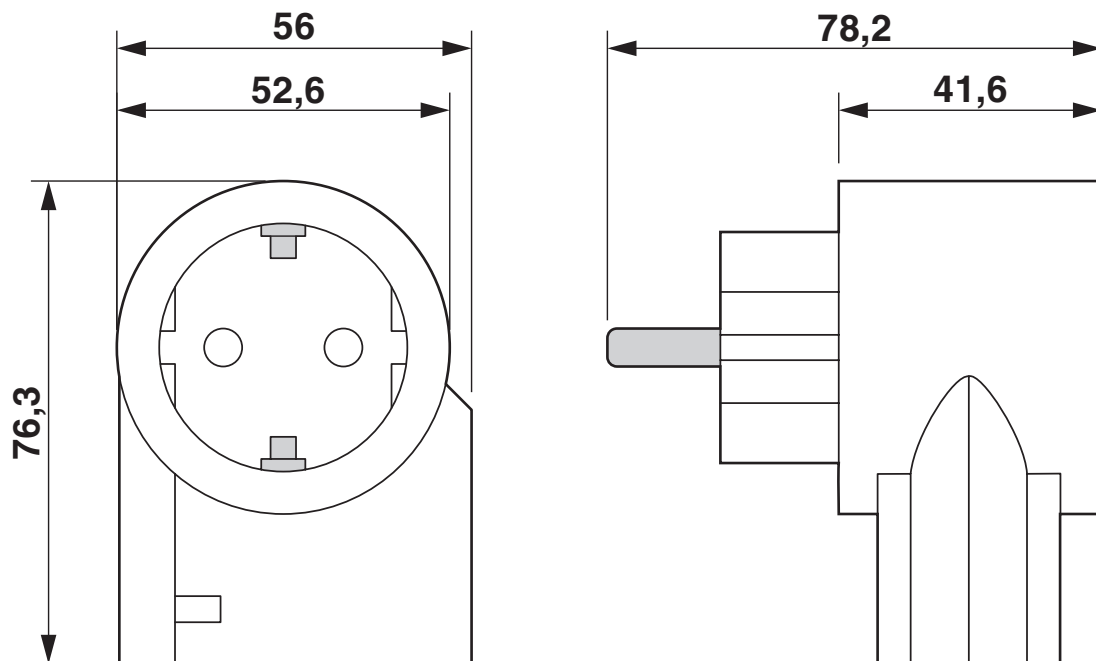
<https://www.phoenixcontact.com/us/products/2882213>

## Drawings

Circuit diagram



Dimensional drawing

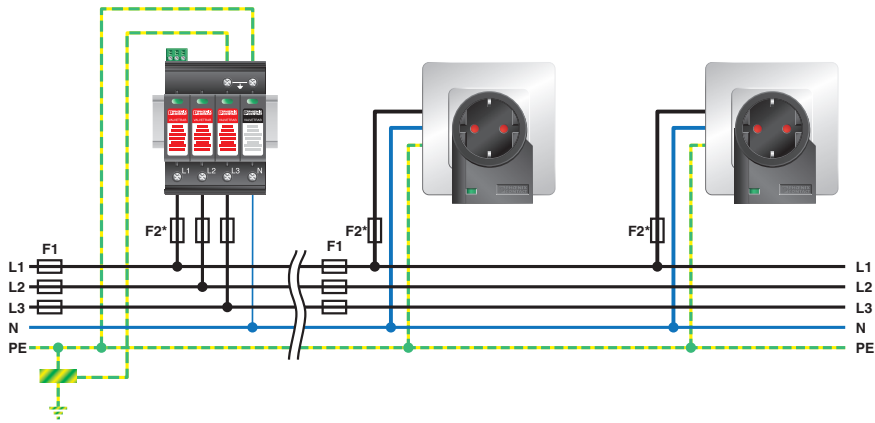


# MNT-1 D/WH - Type 3 surge protection device

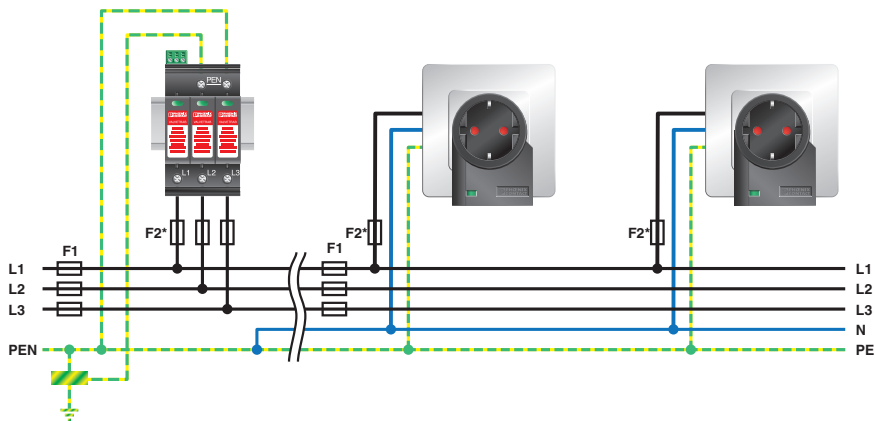
2882213

<https://www.phoenixcontact.com/us/products/2882213>

Application drawing



Application drawing



# MNT-1 D/WH - Type 3 surge protection device



2882213

<https://www.phoenixcontact.com/us/products/2882213>

## Approvals

To download certificates, visit the product detail page: <https://www.phoenixcontact.com/us/products/2882213>



**EAC**

Approval ID: RU C-DE.\*09.B.00169

# MNT-1 D/WH - Type 3 surge protection device



2882213

<https://www.phoenixcontact.com/us/products/2882213>

## Classifications

### ECLASS

ECLASS-11.0	27130806
ECLASS-13.0	27171203

### ETIM

ETIM 9.0	EC000942
----------	----------

### UNSPSC

UNSPSC 21.0	39121600
-------------	----------

# MNT-1 D/WH - Type 3 surge protection device



2882213

<https://www.phoenixcontact.com/us/products/2882213>

## Environmental product compliance

### EU RoHS

Fulfills EU RoHS substance requirements	Yes
Exemption	6(c), 7(a), 7(c)-I

### China RoHS

Environment friendly use period (EFUP)	EFUP-50
	An article-related China RoHS declaration table can be found in the download area for the respective article under "Manufacturer declaration". For all articles with EFUP-E, no China RoHS declaration table issued and required.

### EU REACH SVHC

REACH candidate substance (CAS No.)	Hexahydromethylphthalic anhydride(CAS: n/a)
	Lead(CAS: 7439-92-1)
SCIP	c00a3aed-36c5-4c34-abc3-31617e627a6d

Phoenix Contact 2024 © - all rights reserved  
<https://www.phoenixcontact.com>

Phoenix Contact USA  
586 Fulling Mill Road  
Middletown, PA 17057, United States  
(+717) 944-1300  
[info@phoenixcon.com](mailto:info@phoenixcon.com)