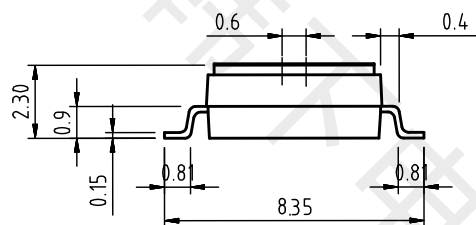
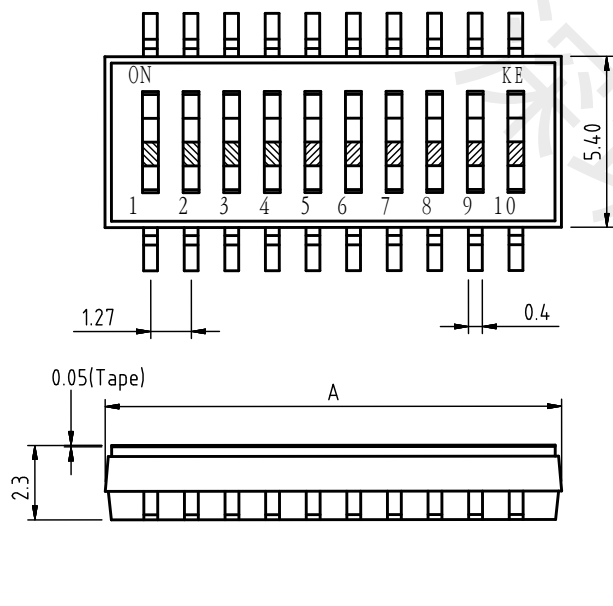
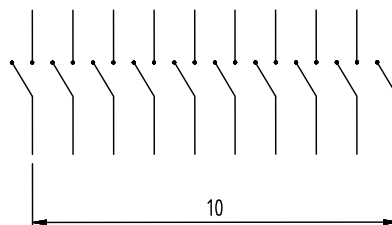


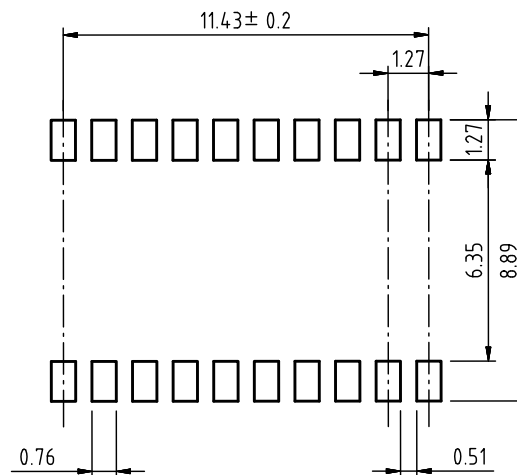
◆ DIMENSIONS



◆ SCHEMATIC



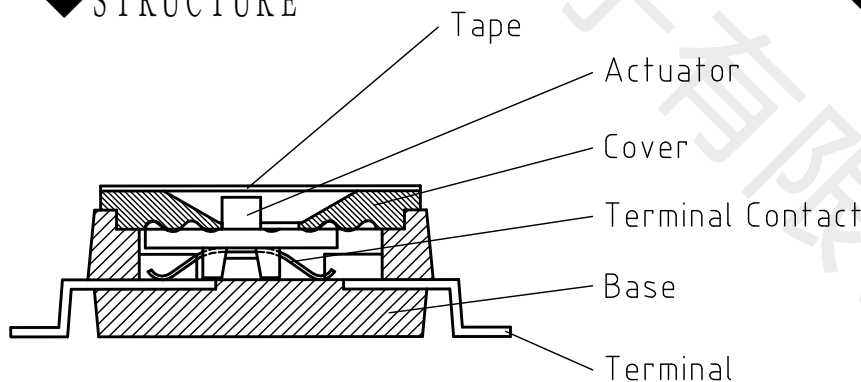
◆ P.C.B LAYOUT



Poles(N) A Dimension(mm)

01	2.87
02	4.12
03	5.41
04	6.66
05	7.93
06	9.20
08	11.74
10	14.28
TOLERANCE:±0.1mm	

◆ STRUCTURE



◆ MATERIAL

Part Name	Material	Finished
Base	PPS UL94 V0	Black
Cover	PPS UL94 V0	Black
Actuator	9 T UL94 V0	White
Movable	Beryllium	3μ " Gold
Terminal Contact	Brass	3μ " Gold
Terminal	Brass	3μ " Gold
Tape	Polyimide	Amber