

## LISA2-M-CLIP

~20° medium beam optimized for LUXEON Rebel. 6.6 mm high variant with clip installation.

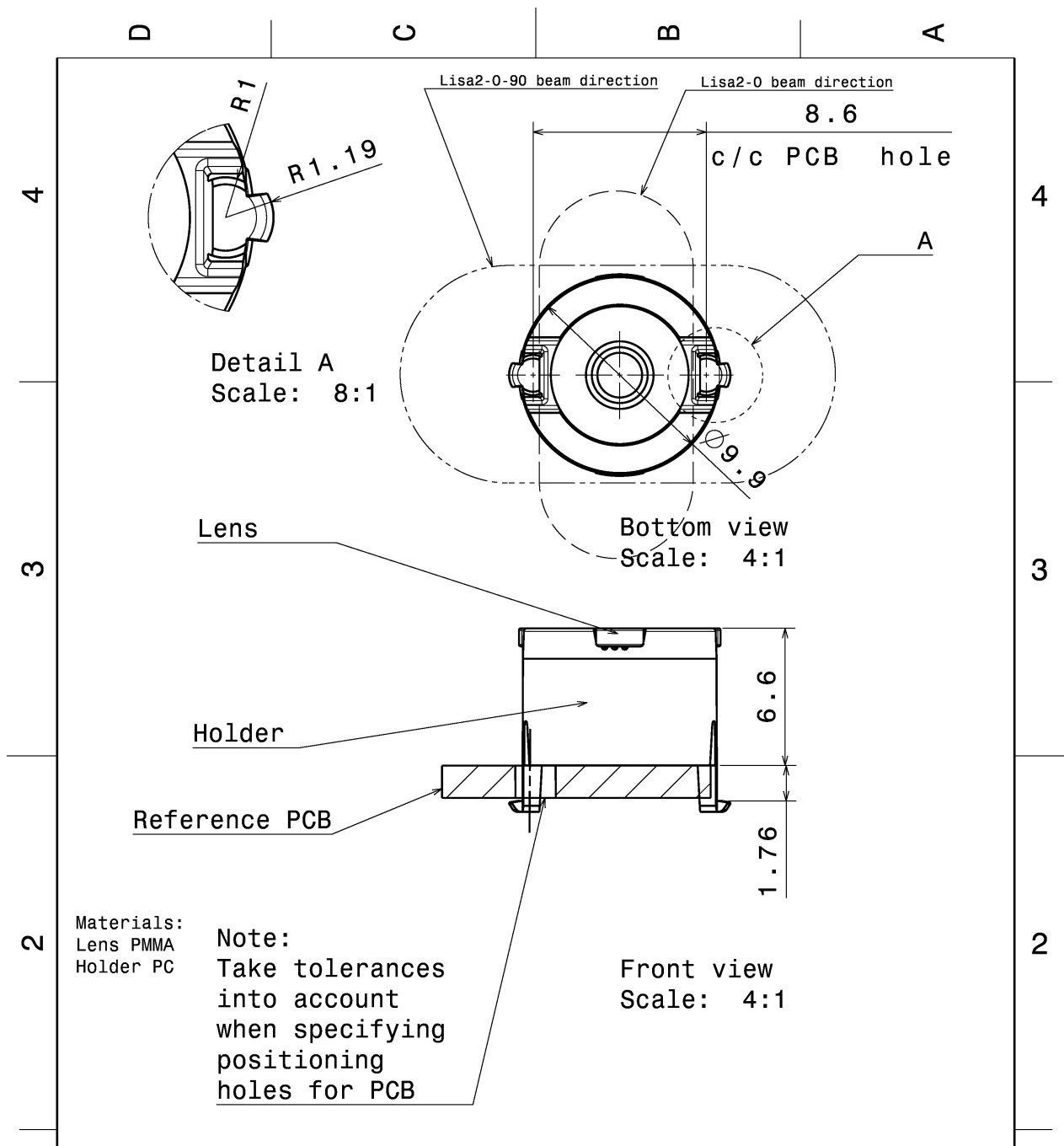
### TECHNICAL SPECIFICATIONS:

Dimensions	Ø 9.9 mm
Height	6.6 mm
Fastening	glue, clips
Colour	black
Box size	
Box weight	1.4 kg
Quantity in Box	2000 pcs
ROHS compliant	yes ⓘ



### MATERIAL SPECIFICATIONS:

Component	Type	Material	Colour
LISA2-M	Single lens	PMMA	clear
LISA2-HLD-CLIP16-RE	Holder	PC	black



This drawing is our property. It can't be reproduced or communicated without our written agreement.		<b>LEDiL</b>		Ledil Oy Tehdaskatu 13 FIN-24100 SALO Finland	
<b>DRAWING TITLE</b>					
Datasheet Lisa2-clip16-Rebel series Assy					
<b>DRAWN BY</b> ch	<b>DATE</b> 20.7.2011	<b>SIZE</b> A4		<b>DRAWING NUMBER</b>	
<b>CHECKED BY</b> sn	<b>DATE</b> 20.7.2011	<b>SCALE</b> 4:1		<b>REV</b> 2	
<b>DESIGNED BY</b> hh	<b>DATE</b> 19.10.2009	<b>WEIGHT (g)</b>		<b>SHEET</b> 1/1	

### PHOTOMETRIC DATA (MEASURED):

#### LUMILEDS

LED LUXEON A  
FWHM 32.0°  
Efficiency 91 %  
Peak intensity 1.900 cd/lm  
LEDs/each optic 1  
Light colour White  
Required components:



#### LUMILEDS

LED LUXEON Rebel  
FWHM 25.0°  
Efficiency 90 %  
Peak intensity cd/lm  
LEDs/each optic 1  
Light colour White  
Required components:

#### LUMILEDS

LED LUXEON Rebel ES  
FWHM 35.0°  
Efficiency 93 %  
Peak intensity cd/lm  
LEDs/each optic 1  
Light colour White  
Required components:

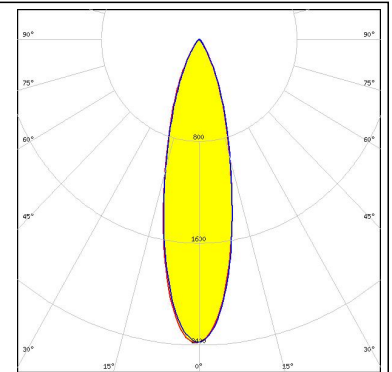
#### NICHIA

LED NCSxx19A  
FWHM 26.0°  
Efficiency 88 %  
Peak intensity cd/lm  
LEDs/each optic 1  
Light colour White  
Required components:

#### PHOTOMETRIC DATA (MEASURED):

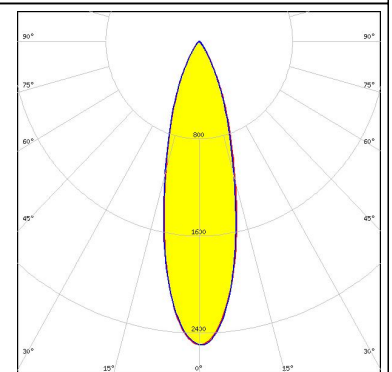
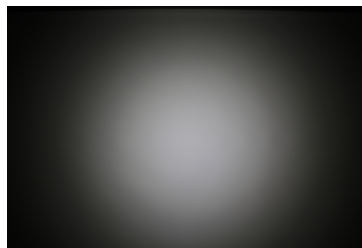
#### SAMSUNG

LED LH181A  
FWHM 27.0°  
Efficiency 75 %  
Peak intensity 2.400 cd/lm  
LEDs/each optic 1  
Light colour White  
Required components:



#### SAMSUNG

LED LH181B  
FWHM 28.0°  
Efficiency 83 %  
Peak intensity 2.500 cd/lm  
LEDs/each optic 1  
Light colour White  
Required components:



#### PHOTOMETRIC DATA (SIMULATED):

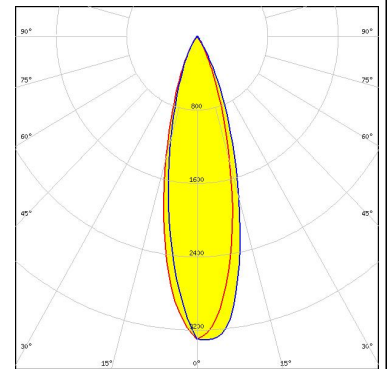


LED NVSxx19A  
FWHM 28.0°  
Efficiency %  
Peak intensity cd/lm  
LEDs/each optic 1  
Light colour White  
Required components:



Opto Semiconductors

LED SFH 4770S  
FWHM 27.0°  
Efficiency 94 %  
Peak intensity 3.320 cd/lm  
LEDs/each optic 1  
Light colour White  
Required components:



### GENERAL INFORMATION:

NOTE: The typical beam angle will be changed by different color, chip size and chip position tolerance. The typical total beam angle is the full angle measured where the luminous intensity is half of the peak value.

### MATERIALS:

As part of our continuous research and improvement processes, and to ensure the best possible quality and availability of our products, LEDiL reserves the right to change material grades without notice.

### PRODUCT DATA USER AGREEMENT AND DISCLAIMER:

The measured data in the provided downloadable LEDiL Product Datasheets and Mechanical 2D-Drawings is rounded and provided as reference for planning. LEDiL Oy's optical specifications have been verified by conducting performance testing of the products in accordance with the company's quality system. The reported data are averaged results of multiple measurements with typical variation. LEDiL Oy reserves the right to without prior notification make changes and improvements to its products.

LEDiL Oy assumes neither warranty, nor guarantee nor any other liability of any kind for the contents and correctness of the provided data. The provided data has been generated with highest diligence but the provided data may in reality not represent the complete possible variation range of all intrinsic parameters. Therefore, in certain cases a deviation from the provided data could occur.

LEDiL Oy reserves the right to undertake technical changes of its products without further notification which could lead to changes in the provided data. LEDiL Oy assumes no liability of any kind for the possible deviation from any provided data or any other damage resulting from the usage of the provided data.

The user agrees to this disclaimer and user agreement with the download or usage of the provided files.

#### LEDiL Oy

Joensuunkatu 13  
FI-24240 SALO  
Finland

#### LEDiL Inc.

228 West Page Street  
Suite D  
Sycamore IL 60178  
USA

#### Local sales and technical support

[www.ledil.com/  
where\\_to\\_buy](http://www.ledil.com/where_to_buy)

#### Shipping locations

Salo, Finland  
Hong Kong, China

#### Distribution Partners

[www.ledil.com/  
where\\_to\\_buy](http://www.ledil.com/where_to_buy)