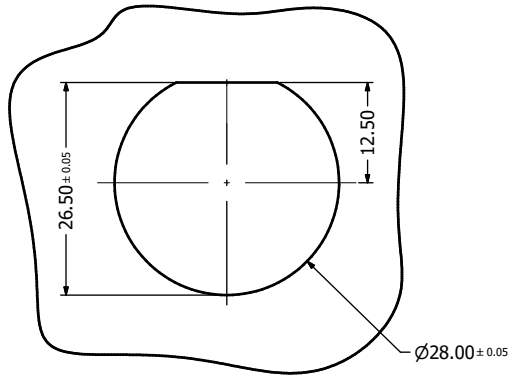


USB 3.0 Type A  
Female/Female  
Adaptor

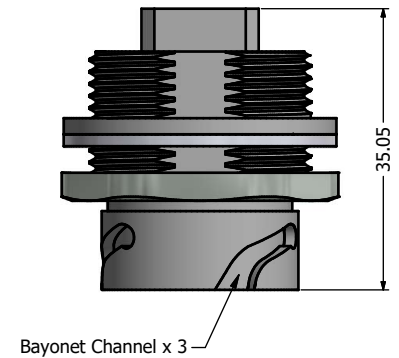
Receptacle Housing  
Plastic in different colors  
or Metallized Plastic Version  
Bayonet Locking Type

Panel Nut  
(M28 x 1.5)

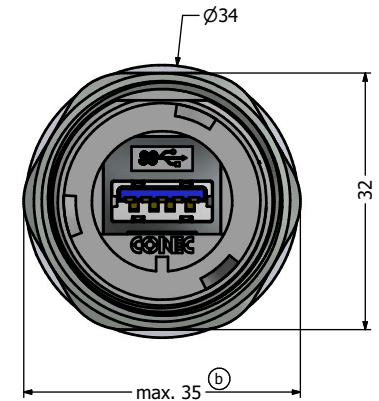
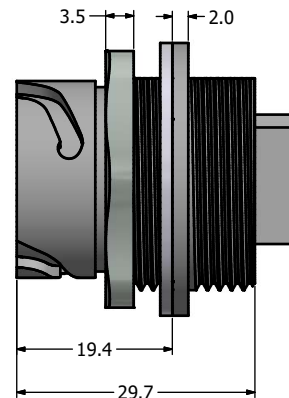
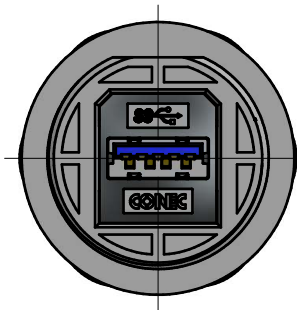
Panel Gasket



Recommended Panel Cutout



Bayonet Channel x 3



**Notes:**

- Electrical Specifications:  
Meets USB 3.0 specifications  
Low level Contact Resistance:  
- 30 mOhm max for VBUS and GND Contacts  
- 50 mOhm max for all other contacts  
Insulation Resistance 1000 MOhm min.  
Current Rating: 2A max. @ 25°C  
DWV: 500V AC/60s Pin to Pin; 1000V AC/60s Pin to shell  
Operating Temperature: -40°C to +85°C
- Material and Finish:  
- Receptacle Housing: Polyester, UL94 V-0, Color: see P/N Table or ABS, Nickel Plated, UL94 V-0  
- Panel Nut: Brass, Finish: Nickel Plated  
- Panel Gasket: Silicon, Color: White  
- USB Plastic Housing: PBT + 15%GF, UL 94V-0, Color: Black  
- USB Contact Insulator: High Temperature PBT + GF, UL 94V-0, Color: Blue (Pantone 300C)  
- USB Metal Shell: SUS201 with 50u" min. Nickel plating all over  
- USB Contact Material: Copper Alloy  
- USB Contact Finish: 30u" min. Au over 50u" min. Nickel
- Connector can be front or rear mounted to a maximum panel thickness of 3.2 mm.
- IP67 & IP68 rated when covered or fully mated with the appropriated mating connector

**Pin-Assignment**

Type A F	Type A F
Pin1 -----	Pin1
Pin2 -----	Pin2
Pin3 -----	Pin3
Pin4 -----	Pin4
Pin5 -----	Pin8
Pin6 -----	Pin9
Pin7 -----	Pin7
Pin8 -----	Pin5
Pin9 -----	Pin6
Shell -----	Shell

Description	Colored Plastic Receptacle Housing with USB 3.0 Type A F/F Adaptor						Metallized Version
Receptacle Housing Color	Black	Blue	Green	Yellow	Red	White	Nickel Plated
Part Number	17-240001	17-240011	17-240021	17-240031	17-240041	17-240051	17-240061

THIS DRAWING MAY NOT BE COPIED OR REPRODUCED IN ANY MANNER OR ON TO A THIRD PARTY WITHOUT WRITTEN PERMISSION FROM CONEC CORPORATION. OWNERSHIP AND COPYRIGHT OF CONEC CORPORATION.	Customer:			Tolerance Unless otherwise specified			Scale:	Dim. in mm
	Name	Title	Approval Date	0 PLC ±0.50	1 PLC ±0.38		Material: See Notes  Title: IP67 & IP68 USB3.0 Receptacle Assembly Kit with USB 3.0 Type A F/ F Adaptor	Drawing No.: 17K1A556 Part No.: SEE PART NUMBER TABLE
				2 PLC ±0.25	3 PLC ±0.10			
				Norm	ANGLES ±3°			
	1 x b A21-04.26 08.11.2021 Bub a original Rev Changes Date Name	2016	Date	Name	Draw. Mar. 03 Vincent Ke	Appd. Mar. 03 Thomas Koch	Drawing No.: 17K1A556 Part No.: SEE PART NUMBER TABLE	
DOT NOT ALTER CAD DRAWING BY HAND								

RoHS compliant