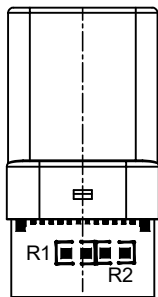
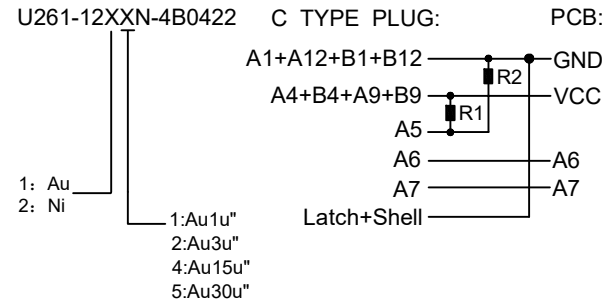


D
2:1



A12	A11	A10	A9	A8	A7	A6	A5	A4	A3	A2	A1
GND	RX2+	RX2-	Vbus	SBU1	D-	D+	CC	Vbus	TX1-	TX1+	GND
GND	TX2+	TX2-	Vbus	Vconn			SBU2	Vbus	RX1-	RX1+	GND
B1	B2	B3	B4	B5	B6	B7	B8	B9	B10	B11	B12

P/N	R/C
U261-12XXN-4B0422	R1(56KΩ±5%)黑色 珍珠镍
U261-12XXN-4B0425	R2(5.1KΩ±5%)黑色 珍珠镍



REMARKS:

1.CONTACT INSERTION AND WITHDRAW FORCE:

- 1.Insertion force: 5N-20N max.
2. Withdrawal force: 8N-20N.
- 3.Durability : 10000Cycles.

2.ELECTRIC PROPERTY:

- 1.Contact current rating: 3A.
- 2.Dielectric Strength: 100V AC(RMS).
- 3.Insulation Resistance: 100 megaohms min.
- 4.Contact resistance:
40mOhms MAX.FOR VBUS,GND AND OTHER CONTACT
50mOhms MAX.AFTER ENVIRONMENT TEST

3.AMBIENT TEMPERATURE:

- 1.Operating temperature: -55°C to +85°C.

ITEM	DESCRIPTION	MATERIAL	REMARKS
6	Shrapnel	SUS T=0.10mm	
5	Shell	SUS T=0.15mm	Ovep-plating: Ni
4	Terminal	C7025 T=0.15mm	Ovep-plating:Au Ni/Sn
3	Latch	SUS T=0.4mm	
2	Housing	LCP	UL94-0
1	Housing Stopper	LCP	UL94-0

DSND		DATE		SCALE: N/A	MODEL TYPE: 3.1 TYPE C
DWN		DATE		VIEW:	PART NO.:
CHKD		DATE		UNIT: mm/in	DWG NO.:
APPD		DATE		SIZE: A4	U261-12XXN-4B0422
				XKB INDUSTRIAL PRECISION CO.,LIMITED	WEIGHT 1.0g
					SHEET 1/1
					REVISION A0

MARK	DESCRIPTION	DATE	REVISED	APPROVED	UNSPECIFIED TOLERANCES
ΔX					ANGLAR ±5°
ΔX					L ≤ 4 ±0.2
ΔX					4 < L ≤ 16 ±0.3
					16 < L ≤ 63 ±0.4
					L > 63 ±0.5

www.xk-dg.cn www.helloxkb.com www.helloxkb.cn