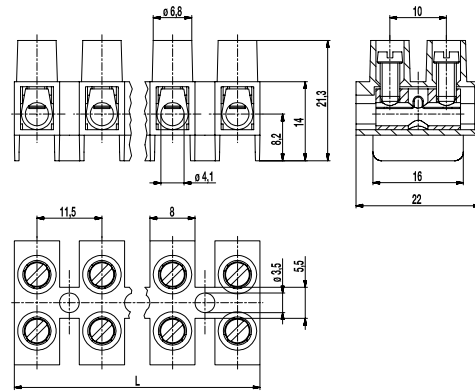
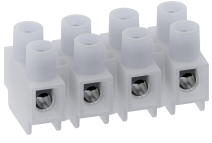


324-FU(-HDS)

Socket terminal strip
Screw connection, with raised base



GENERAL INFORMATION

Pitch	11,5 mm
No. of poles	1 - 12
Areas of application	For lighting applications and similar electrical equipment.

TECHNICAL DATA

Clamping Range	<i>solid / stranded / AWG</i>		
<i>without wire protector</i>	1 - 10 mm ² / 1 - 6 mm ² / 16 - 10 AWG		
<i>with wire protector</i>	0,75 - 6 mm ² / 0,75 - 4 mm ² / 18 - 12 AWG		
Rated Cross Section	4 mm ²		
Wire Stripping Length	7 mm ± 0,5 mm		
Overvoltage Category	III	III	II
Pollution Severity Level	3	2	2
Rated Voltage	800 V	1000 V	1000 V
Rated Impulse Voltage	8 kV	8 kV	6 kV
Rated Insulation Voltage	750 V acc. to EN 60998-1		
Rated Current	32 A		
Torque	0,8 Nm		

APPROVALS

	Current [A]	Voltage [V]	Group	AWG	[Nm]
	35	300 [1]	B	22 - 8	0,8
	10	300 [1]	D	22 - 8	0,8
	40	300	B,C	22 - 10 [2]	0,8
	5	600	D,E	22 - 10 [2]	0,8
	Current [A]	Voltage [V]	mm ²		
	32	750	4,0		

[1] 600 V, Group B,C,D: when mounted on a suitable insulate surface, on standoffs or equivalent means
[2] for 324-FU-HDS: 26 - 10 AWG

MATERIAL

Moulding	PA, natural, V-2
Comparative Tracking Index	CTI ≥ 600
Insulating Group	I
Temperature Range	-40°C up to 100°C
Terminal body	Tin plated brass
Screw	M3,5; zinc plated steel, blue passivated
Wire protector	Stainless steel strip

OPTIONS / ACCESSORIES

- Marking options on the screw guides
- Marking strips BST-324
- Jumper 324-J
- Moulding made of special polyamide for e.g. household appliances
- Screws made out of brass
- Crosshead screws
- Sockets with blind hole

CONFIGURATIONS

Version	Poles	Item	Article number	Item	Article number	Length (L)	PU
Standard	1	324-FU/01	11.823.013	324-FU-HDS/01	31.823.013	9,00 mm	3000
Standard	2	324-FU/02	12.823.013	324-FU-HDS/02	32.823.013	21,00 mm	1000
Standard	3	324-FU/03	13.823.013	324-FU-HDS/03	33.823.013	32,00 mm	500
Standard	4	324-FU/04	14.823.013	324-FU-HDS/04	34.823.013	44,00 mm	500
Standard	5	324-FU/05	15.823.013	324-FU-HDS/05	35.823.013	55,00 mm	500
Standard	6	324-FU/06	16.823.013	324-FU-HDS/06	36.823.013	67,00 mm	100
Standard	7	324-FU/07	17.823.013	324-FU-HDS/07	37.823.013	78,00 mm	70
Standard	8	324-FU/08	18.823.013	324-FU-HDS/08	38.823.013	90,00 mm	50
Standard	9	324-FU/09	19.823.013	324-FU-HDS/09	39.823.013	101,00 mm	50
Standard	10	324-FU/10	20.823.013	324-FU-HDS/10	40.823.013	113,00 mm	50
Standard	11	324-FU/11	21.823.013	324-FU-HDS/11	41.823.013	124,00 mm	50
Standard	12	324-FU/12	22.823.013	324-FU-HDS/12	42.823.013	135,00 mm	50

