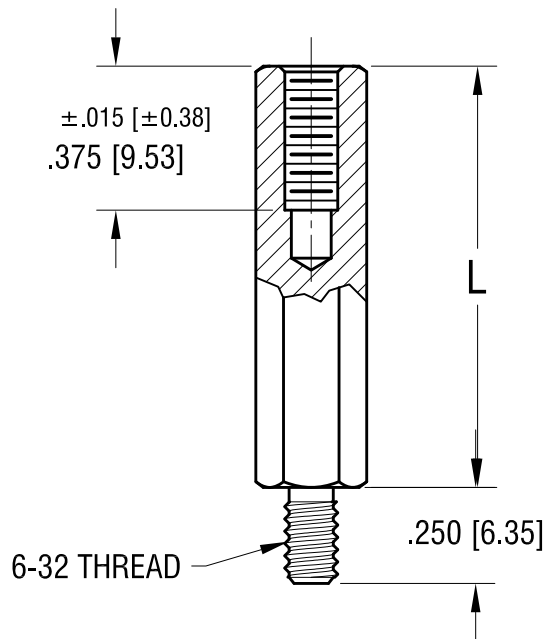
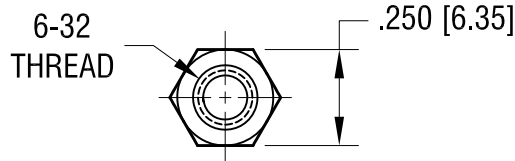


THIS DOCUMENT IS THE PROPERTY OF
KEYSTONE ELECTRONICS CORP. AND
SHALL NOT BE REPRODUCED, DISTRIBUTED
OR USED AS A BASIS FOR MANUFACTURE
WITHOUT PRIOR WRITTEN PERMISSION
FROM KEYSTONE ELECTRONICS CORP.

ACTUAL SIZE



P/N 8419



PART NO.	'L' DIM.
8417	.875 [22.23]
8418	1.000 [25.4]
8419	1.125 [28.58]

KEYSTONE ELECTRONICS CORP.

www.keyelco.com • NEW HYDE PARK, NY 11040 • Tel (516) 328-7500

PART NAME

HEX M/F STANDOFF

MATERIAL

LEAD FREE ALUMINUM

FINISH

CLEAR IRIDITE

DRN BY

BOONE

DATE

2.10.98

APP'D

RH

SCALE

2X

1.04.24

CHANGE AS PER ECN 24-018

A

TOLERANCES

INCH [MM]

DECIMAL $\pm .005$ [± 0.13]

ANGULAR $\pm 1^\circ$

UNLESS OTHERWISE SPECIFIED

CODE

C

DWG NO.

8417-8419

DATE

DESCRIPTION

REV.