

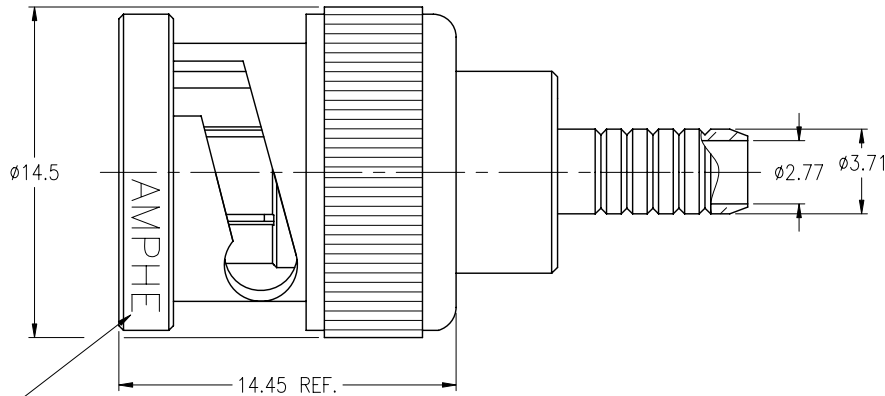
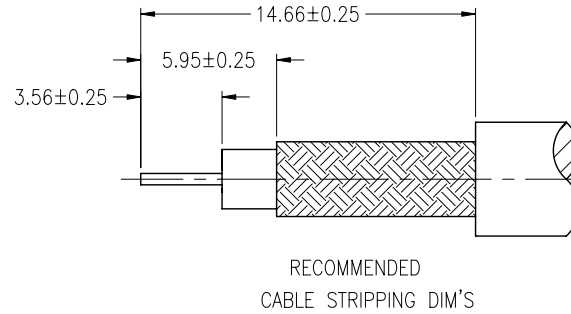
NOTES:

- MATERIALS AND FINISHES:
 BODY - BRASS, NICKEL PLATING
 CONTACT - BRASS, GOLD PLATING
 INSULATOR - PTFE, ANTRUAL
- ELECTRICAL:
 A. IMPEDANCE: 75 OHM
 B. DIELECTRIC WITHSTANDING VOLTAGE: 1500 VRMS, MIN.
- MECHANICAL:
 A. DURABILITY: 500 CYCLES MIN.
 B. TEMPERATURE RANGE: - 65°C to +165°C
- SOLDER CONTACT TO CABLE.
 WHEN CRIMPING CONTACT PIN TO CABLE, CRIMP WITH AMPHENOL TOOL 227-944 (M22520/5-01) AND DIE SET 227-980-7, CAVITY 'B' (M22520/5-01)
- WHEN CRIMPING FERRULE TO CABLE, CRIMP WITH AMPHENOL TOOL 227-944 (M22520/5-01) AND DIE SET 227-980-7, CAVITY 'A' (M22520/5-01)
- USE WITH CABLES : BELDEN 8218, 1406A, 1164A, 1167A, 1418A& 1407A, 1417A, AT&T 735A; AND CLARK CV75SM

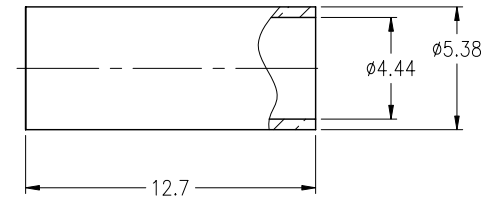
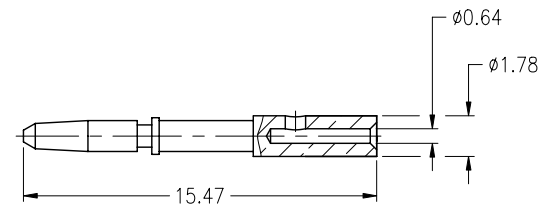
THIRD ANGLE PROJ.

REVISIONS

REV	DESCRIPTION	DATE	ECO	APPR
B	SEE SHEET 1	14-Sep-05	--	JACK
B1	SEE SHEET 1	12-Jan-06	--	JOHN
C	SEE SHEET 1	13-Mar-08	--	AW
G	SEE SHEET 1	18-Feb-10	47967	SH
H	NOTE 4 WAS CHANGED\RD-10121301F	27-Dec-10	48342	SH



STAMP "AMPHENOL 31-70013-1000"



CUSTOMER OUTLINE DRAWING
ALL OTHER SHEETS ARE FOR INTERNAL USE ONLY

UNLESS OTHERWISE SPECIFIED, DIMENSIONS ARE IN METRIC AND TOLERANCES ARE:
 <0.5mm ±0.05mm 0.5 - 6mm ±0.1mm 6 - 30mm ±0.2mm 30 - 120mm ±0.3mm ANGLES ±1°

NOTICE - These drawings, specifications, or other data (1) are, and remain the property of Amphenol Corp. (2) must be returned upon request; and (3) are confidential and not to be disclosed to any person other than those to whom they are given by Amphenol Corp. The furnishing of these drawings, specifications, or other data by Amphenol Corp., or to any other person to anyone for any purpose is not to be regarded by implication or otherwise in any manner licensing, granting rights or permitting such holder or any other person to manufacture, use or sell any product, process or design, patented or otherwise, that may in any way be related to or disclosed by said drawings, specifications, or other data.

MATERIAL	DRAWN	DATE	TITLE			Amphenol RF		
	F.WANG	27-Dec-10	BNC PLUG (75 OHM) FOR RGB AND SVHS CABLES			Danbury CT USA, Tainan Taiwan, Shenzhen China www.amphenolrf.com		
REFERENCE	ENGINEER	DATE	SCALE: 3/1			DRAWING NO. 31-70013-1000		
	S.LI	27-Dec-10	SHEET 2 OF 2			ITEM NO. 31-70013-1000		
FINISH	APPROVED	DATE	DWG SIZE	CODE ID	REV	PART NO. 31-70013-1000		
	S.HSIEH	27-Dec-10	B	74868	H			
	CAD FILE		F:\DWG\CNPD\31\70013\1000-HSZ					