

IB IL AO 4/I/4-20-ECO - Analog module



2702497

<https://www.phoenixcontact.com/us/products/2702497>

Please be informed that the data shown in this PDF document is generated from our online catalog. Please find the complete data in the user documentation. Our general terms of use for downloads are valid.



Inline, Analog output terminal, Analog outputs: 4, 4 mA ... 20 mA, connection technology: 2-conductor, transmission speed in the local bus: 500 kbps, degree of protection: IP20, including Inline connector

Product description

The terminal is designed for use within an Inline station. It is used to output analog current signals. The output values are depicted in standardized representation format. Inline ECO terminals are approved for the temperature range from 0°C to +55°C. The electronics base and Inline connector are supplied as standard.

Your advantages

- 4 analog output channels
- Connection of actuators in 2-conductor technology
- Current range: 4 mA ... 20 mA
- Data format: standardized representation
- Resolution: 12 bits
- Diagnostic indicator

Commercial data

Item number	2702497
Packing unit	1 pc
Minimum order quantity	1 pc
Sales key	DR01
Product key	DRI142
Catalog page	Page 118 (C-6-2019)
GTIN	4055626204499
Weight per piece (including packing)	84.1 g
Weight per piece (excluding packing)	84.1 g
Customs tariff number	85389099
Country of origin	DE

IB IL AO 4/I/4-20-ECO - Analog module

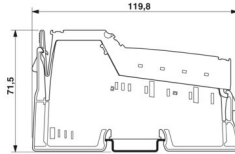


2702497

<https://www.phoenixcontact.com/us/products/2702497>

Technical data

Dimensions

Dimensional drawing	
Width	12.2 mm
Height	119.8 mm
Depth	71.5 mm

Notes

Note on application

Note on application	Only for industrial use
---------------------	-------------------------

Interfaces

Inline local bus

Number of interfaces	2
Connection method	Inline data jumper
Transmission speed	500 kbps

System properties

Module

ID code (dec.)	125
ID code (hex)	7D
Length code (hex)	04
Length code (dec)	04
Process data channel	64 bit
Input address area	0 Byte
Output address area	8 Byte
Register length	64 bit
Required parameter data	1 Byte
Required configuration data	4 Byte

Output data

Analog:

Output name	Analog outputs
Connection technology	2-conductor
Note regarding the connection technology	shielded, twisted pair

IB IL AO 4/I/4-20-ECO - Analog module



2702497

<https://www.phoenixcontact.com/us/products/2702497>

Number of outputs	4
D/A converter resolution	12 bit
Protective circuit	Short-circuit and overload protection; electronic Transient protection; Suppressor diode
Data formats	Standardized representation
Representation of output values	16 bits
Process data update	< 10 ms
Current output signal	4 mA ... 20 mA
Load/output load current output	< 300 Ω

Product properties

Product type	I/O component
Product family	Inline
Type	modular
Scope of delivery	including Inline connector
Diagnostics messages	Failure of the internal I/O supply I/O error message sent to the bus coupler Checksum error I/O error message sent to the bus coupler

Data management status

Article revision	04
------------------	----

Electrical properties

Potentials: Communications power (U_L)

Supply voltage	7.5 V DC (via voltage jumper)
Current draw	max. 50 mA typ. 40 mA

Potentials: Supply of analog modules (U_{ANA})

Supply voltage	24 V DC (via voltage jumper)
Supply voltage range	19.2 V DC ... 30 V DC (including all tolerances, including ripple)
Current draw	max. 85 mA typ. 65 mA

Electrical isolation/isolation of the voltage ranges

Test voltage: Bus logic (local bus, communications power)	500 V AC, 50 Hz, 1 min.
Test voltage: Analog I/O	500 V AC, 50 Hz, 1 min.
Test voltage: Functional ground	500 V AC, 50 Hz, 1 min.

Connection data

Connection technology

Connection name	Inline connector
-----------------	------------------

Conductor connection

Connection method	Spring-cage connection
-------------------	------------------------

IB IL AO 4/I/4-20-ECO - Analog module



2702497

<https://www.phoenixcontact.com/us/products/2702497>

Conductor cross section rigid	0.08 mm ² ... 1.5 mm ²
Conductor cross section flexible	0.08 mm ² ... 1.5 mm ²
Conductor cross section AWG	28 ... 16
Stripping length	8 mm

Inline connector

Connection method	Spring-cage connection
Conductor cross section, rigid	0.08 mm ² ... 1.5 mm ²
Conductor cross section, flexible	0.08 mm ² ... 1.5 mm ²
Conductor cross section AWG	28 ... 16
Stripping length	8 mm

Environmental and real-life conditions

Ambient conditions

Ambient temperature (operation)	0 °C ... 55 °C (see "Derating" table in the data sheet)
Degree of protection	IP20
Air pressure (operation)	70 kPa ... 106 kPa (up to 3000 m above sea level)
Air pressure (storage/transport)	70 kPa ... 106 kPa (up to 3000 m above sea level)
Ambient temperature (storage/transport)	-25 °C ... 85 °C
Permissible humidity (operation)	10 % ... 95 % (according to DIN EN 61131-2)
Permissible humidity (storage/transport)	10 % ... 95 % (according to DIN EN 61131-2)

Standards and regulations

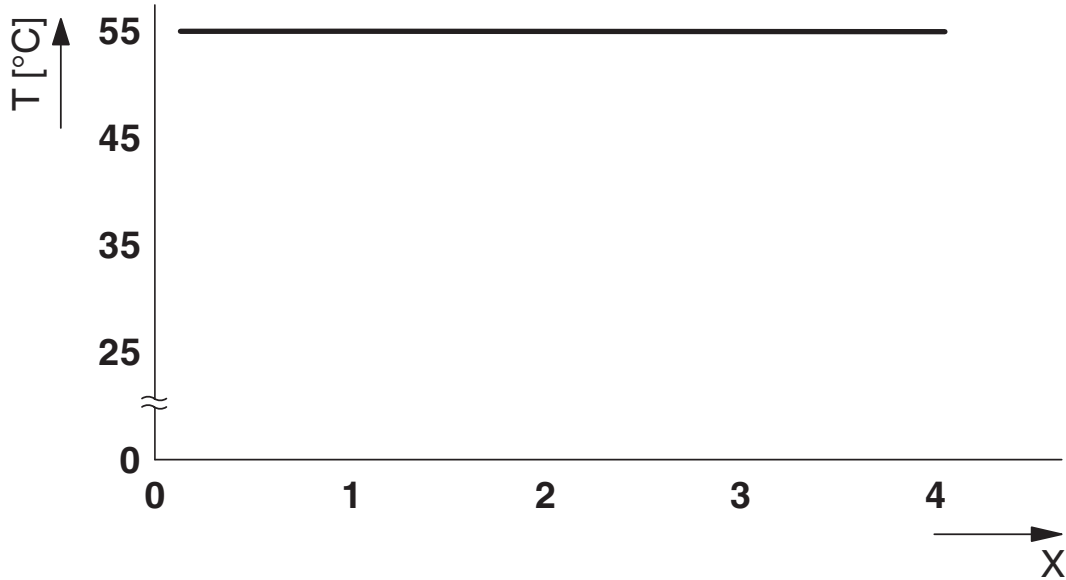
Protection class	III (IEC 61140, EN 61140, VDE 0140-1)
------------------	---------------------------------------

Mounting

Mounting type	DIN rail mounting
---------------	-------------------

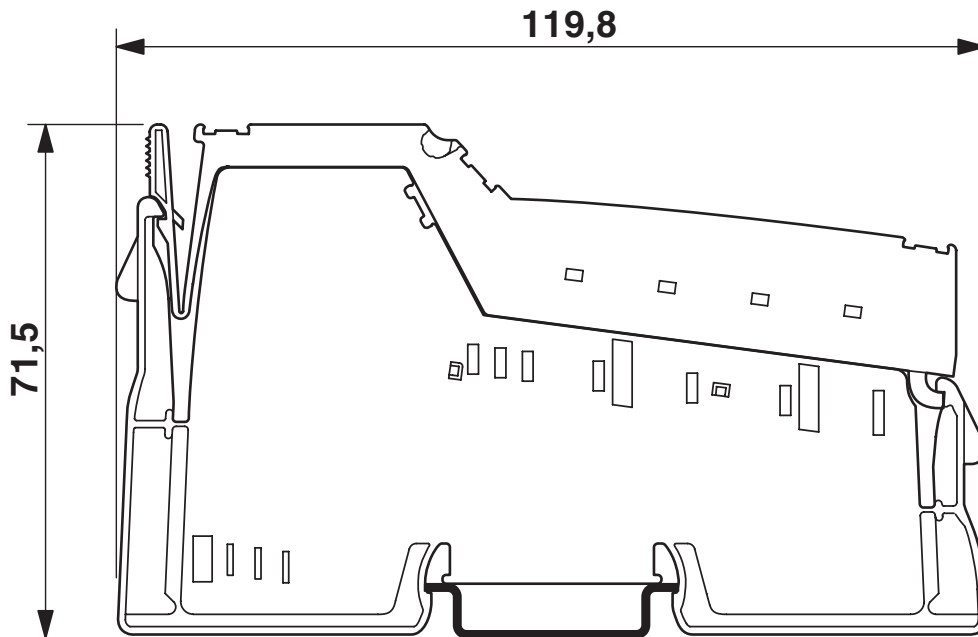
Drawings

Diagram



Derating with active convection

Dimensional drawing



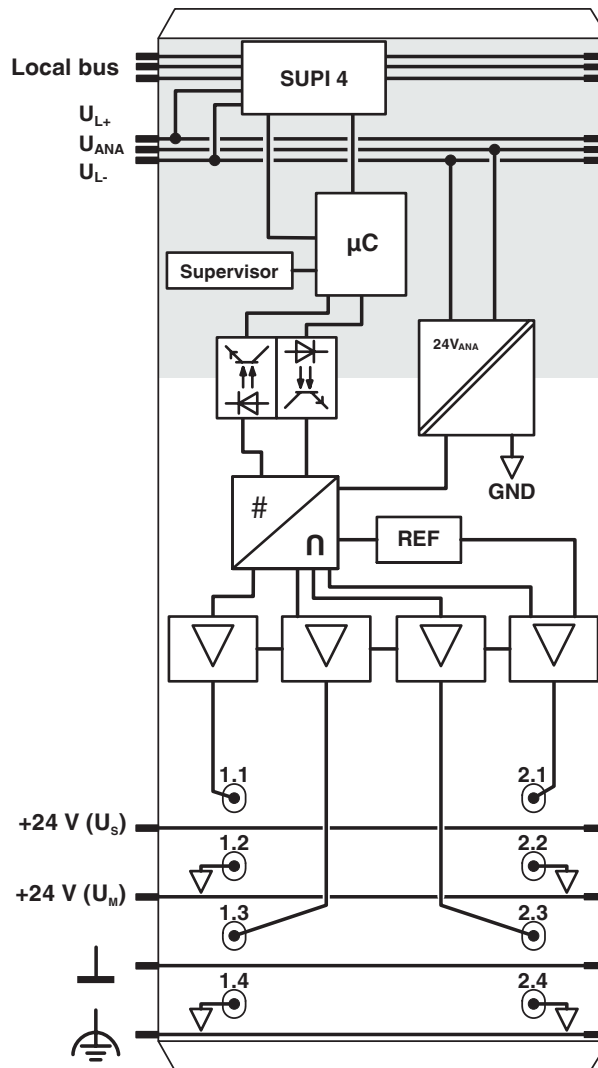
IB IL AO 4/I/4-20-ECO - Analog module

2702497

<https://www.phoenixcontact.com/us/products/2702497>



Block diagram



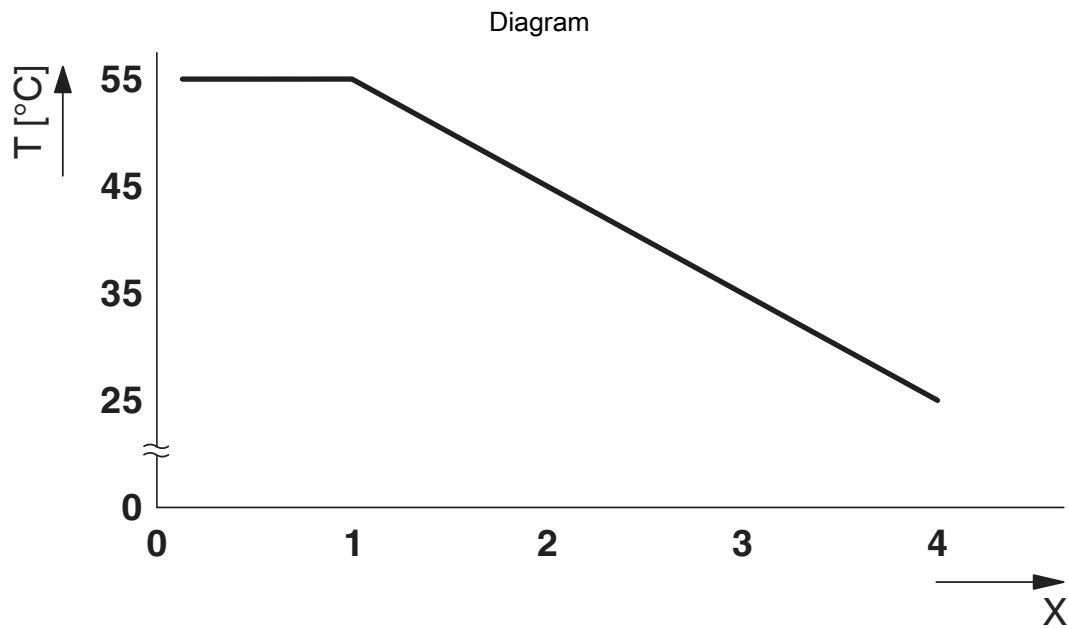
Internal wiring of the terminal points

IB IL AO 4/I/4-20-ECO - Analog module



2702497

<https://www.phoenixcontact.com/us/products/2702497>



Derating without active convection

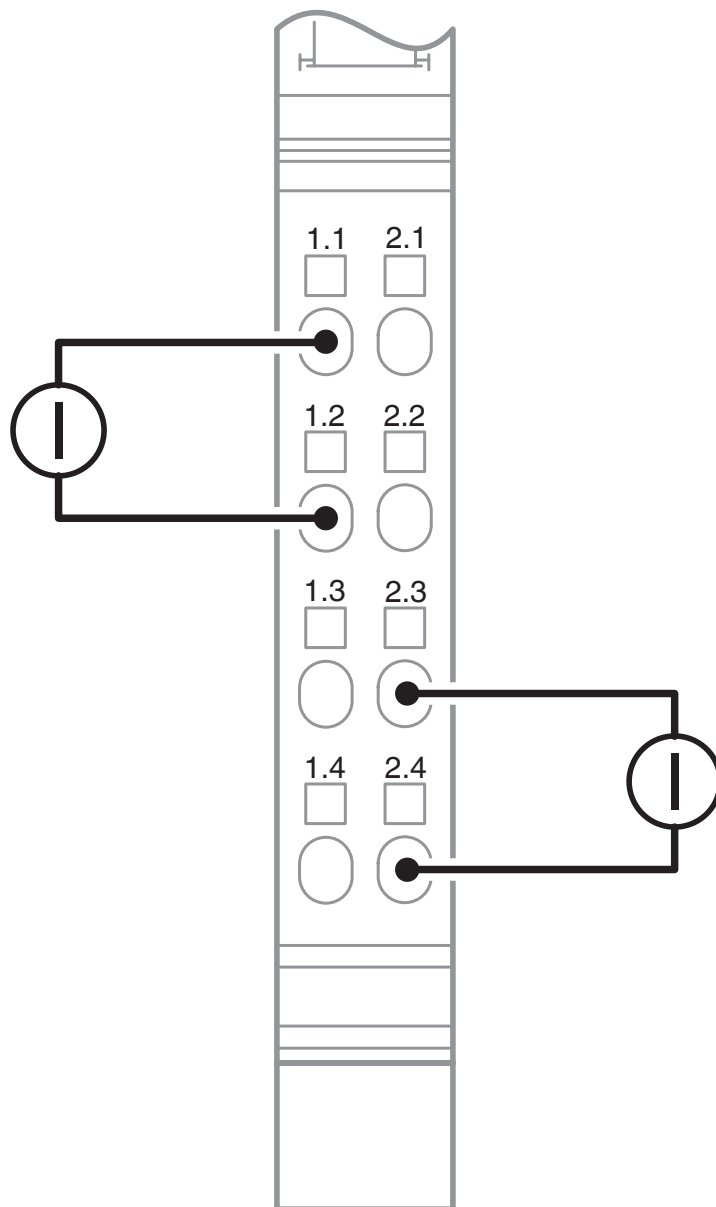
IB IL AO 4/I/4-20-ECO - Analog module

2702497

<https://www.phoenixcontact.com/us/products/2702497>



Connection diagram



Actuator connection

IB IL AO 4/I/4-20-ECO - Analog module



2702497

<https://www.phoenixcontact.com/us/products/2702497>

Approvals

To download certificates, visit the product detail page: <https://www.phoenixcontact.com/us/products/2702497>



UL Listed

Approval ID: E238705



cUL Listed

Approval ID: E238705

cULus Listed

IB IL AO 4/I/4-20-ECO - Analog module



2702497

<https://www.phoenixcontact.com/us/products/2702497>

Classifications

ECLASS

ECLASS-11.0	27242601
ECLASS-12.0	27242601
ECLASS-13.0	27242601

ETIM

ETIM 9.0	EC001596
----------	----------

UNSPSC

UNSPSC 21.0	32151600
-------------	----------

2702497

<https://www.phoenixcontact.com/us/products/2702497>

Environmental product compliance

EU RoHS

Fulfills EU RoHS substance requirements	Yes
Exemption	7(a), 7(c)-I, 7(c)-II

China RoHS

Environment friendly use period (EFUP)	EFUP-50
	An article-related China RoHS declaration table can be found in the download area for the respective article under "Manufacturer declaration". For all articles with EFUP-E, no China RoHS declaration table issued and required.

EU REACH SVHC

REACH candidate substance (CAS No.)	Lead(CAS: 7439-92-1)
SCIP	30ccfc5f-17c5-46e9-aa3e-bb2c14995dd6

Phoenix Contact 2024 © - all rights reserved

<https://www.phoenixcontact.com>

Phoenix Contact USA
586 Fulling Mill Road
Middletown, PA 17057, United States
(+717) 944-1300
info@phoenixcon.com