

1.0_{mm}Pitch

Series 5077



シリーズ (Series)	5077
基板間高さ (Stacking Height)	8.0mm/9.0mm/10.0mm/11.0mm/12.0mm/ 13.5mm/14.5mm/15.5mm/19.0mm
極間隔 (Pitch)	1.0mm
極数 (No. of Positions)	30 ~ 80
定格電流 (Rated Current)	AC/DC 0.5A
定格電圧 (Rated Voltage)	AC/DC 100V
耐電圧 (D.W.Voltage)	AC 500Vrms/min.
コンタクト材質 (Contact Material)	銅合金 Copper alloy
インシュレータ材質 (Insulator Material)	耐熱樹脂 Heat-resistant plastic
使用温度範囲 (Operating Temperature)	- 40 ~ 85

SERIES 5077

概要

5077シリーズは、1.0mmピッチ、SMTタイプで、嵌合高さを8.0mm～19.0mmまで拡張した平行接続用のコネクタです。プラグ側がSTDタイプ、H1タイプ、H2タイプ、H5.5タイプの4種類。リセ側がSTDタイプ、H2タイプ、H5.5タイプの3種類で構成され、その組み合わせにより、8.0mmから最大19.0mmの基板間隔の設定が可能です。

Outline

Series 5077 is a 1.0mm pitch SMT type Board to Board connector for parallel connection of which stacking height is extended to between 8.0 and 19.0mm.

There are four types for plug connector, STD type, type H1, type H2, and type H5.5, and three types for receptacle connector, STD type, type H2 and type H5.5. With combinations of these types, stacking height is extended to 8.0mm to 19.0mm.

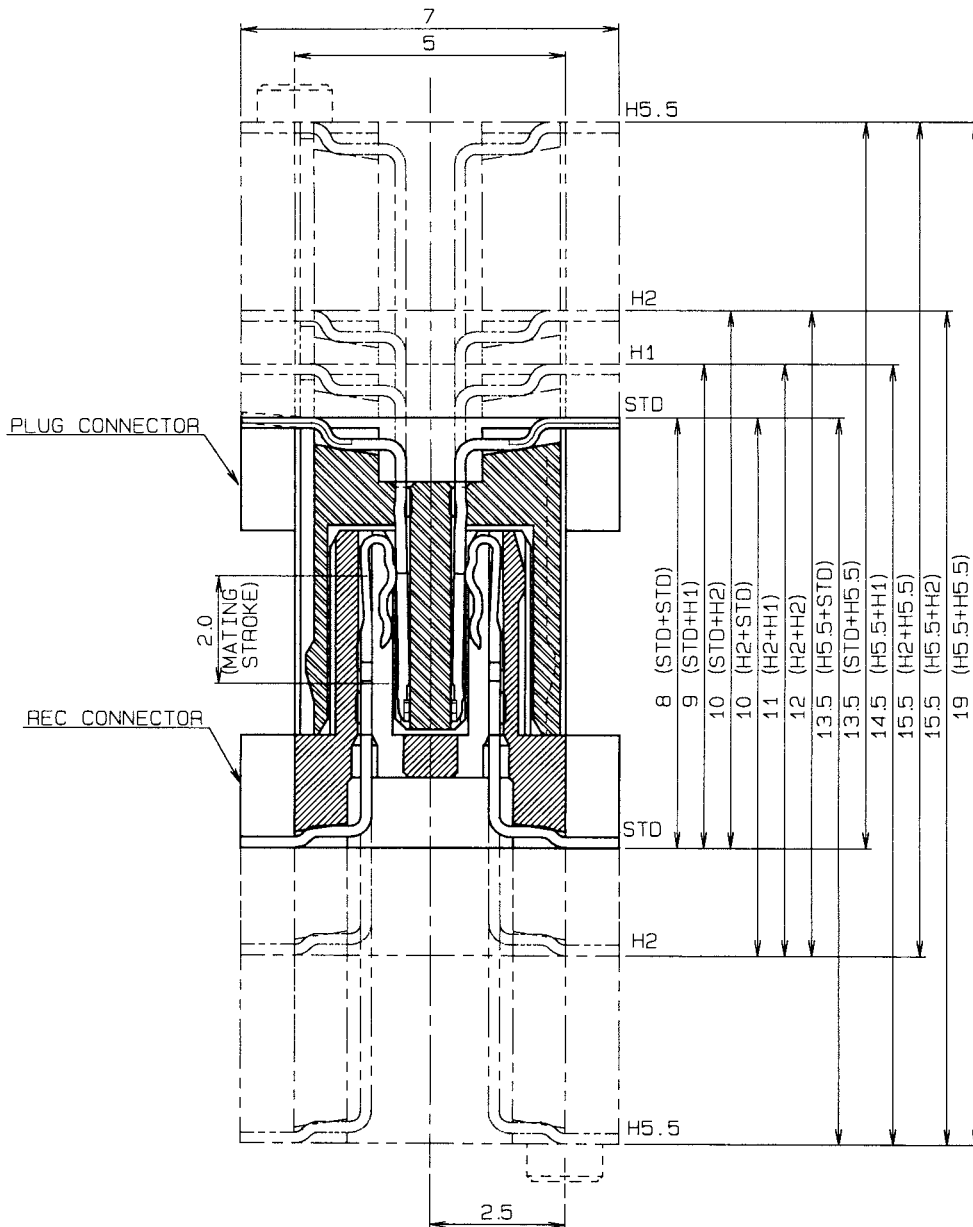
本カタログには推奨めっきを掲載しております。めっき種類・仕様、ならびに生産対応可能極数については営業部に御確認願います。
Recommended plating types are mentioned in this catalogue.
For other plating types and their specifications, and available numbers of positions, please feel free to contact our sales department.

1.0mm Pitch

SERIES

5077

アプリケーション一覧 APPLICATIONS



Parallel Stacking Height Matrix

(mm)

		Receptacle Variation		
		STD	H2	H5.5
Plug Variation	STD	8.0	10.0	13.5
	H1	9.0	11.0	14.5
	H2	10.0	12.0	15.5
	H5.5	13.5	15.5	19.0

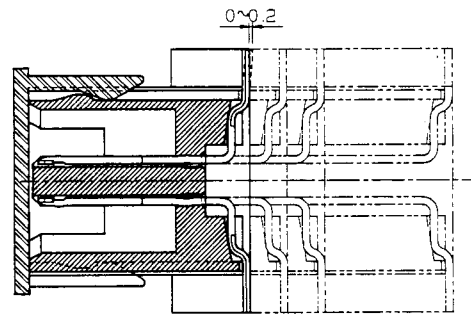
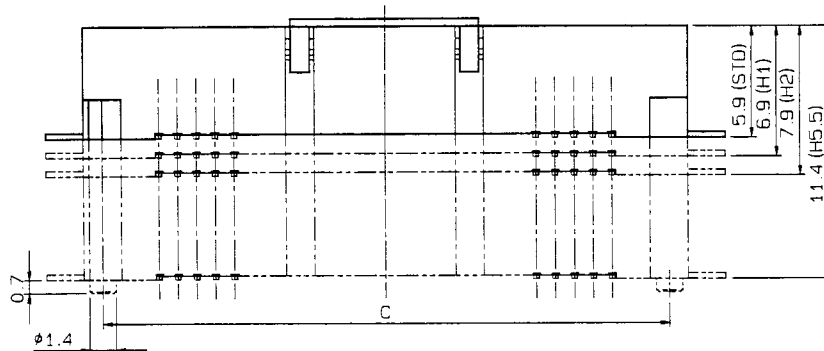
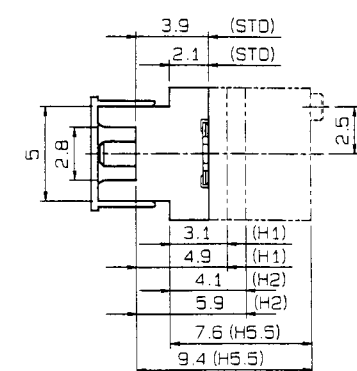
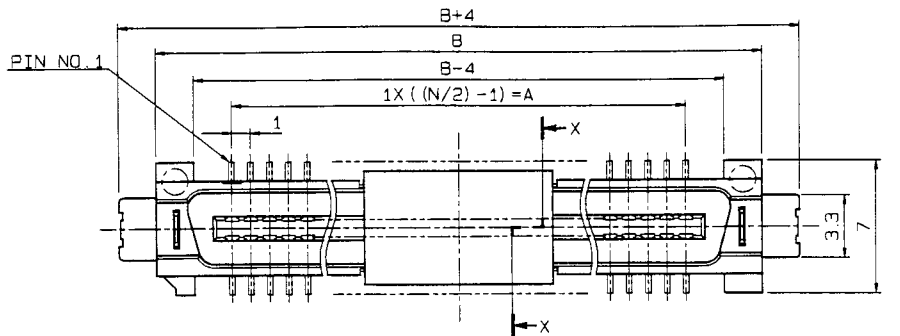
1.0mm Pitch

SERIES

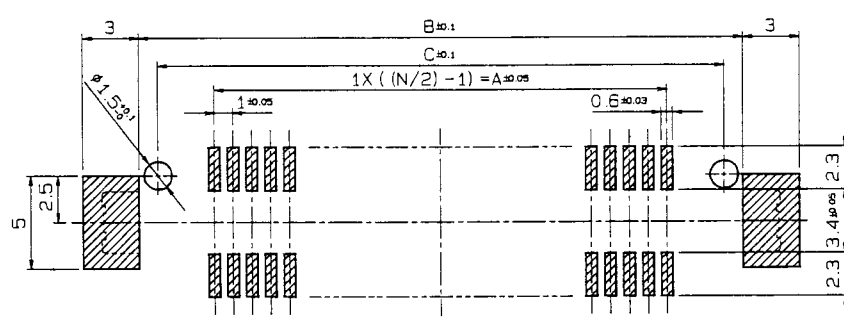
5077

プラグ ST 吸着クリップ付 30 ~ 80極

Plug Vertical With Vacuum Clip 30 ~ 80 Positions



SECT. X-X



RECOMMENDED PATTERN

極数 NO. OF POS.	A	B	C
30	14	22	20
40	19	27	25
50	24	32	30
80	39	47	45

注文コード ORDERING CODE
14 5077 OXX 1XX 861+

RoHS 対応品
RoHS Compliant Product

- 0 : STD type
- 1 : H1 type
- 2 : H2 type
- 5 : H5.5 type
- 0 : ボス無し Without Boss
- 1 : ボス付 With Boss
- 極数 Number of positions

注) 生産可能極数については営業部にご確認願います。
Note) Feel free to contact our sales department for available numbers of positions.

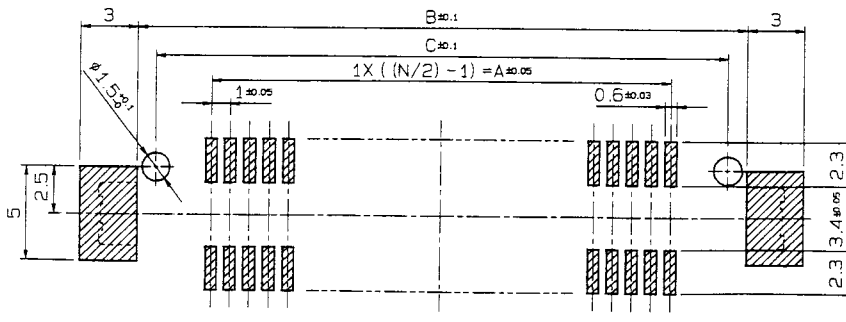
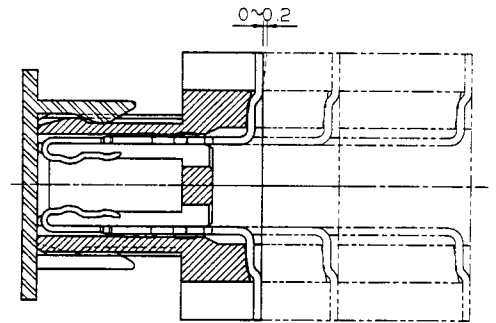
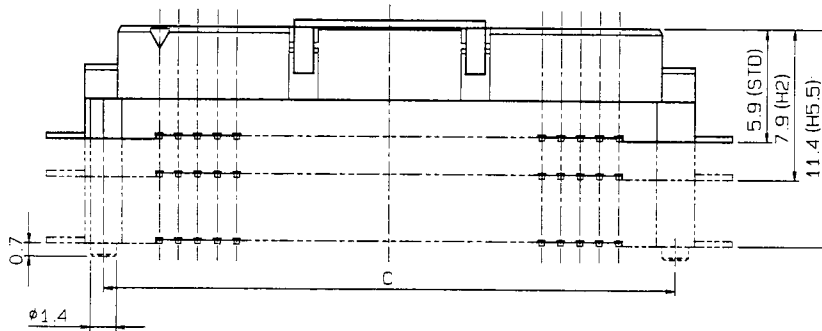
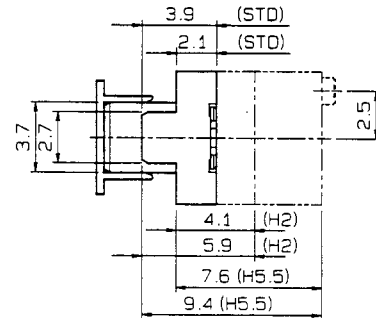
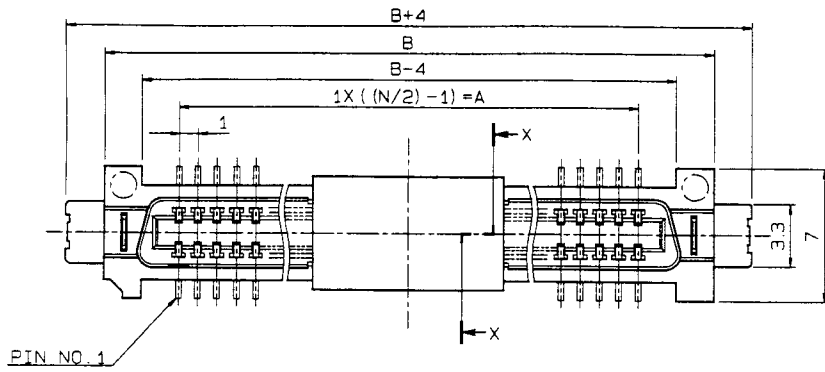
1.0mm Pitch

SERIES

5077

リセ ST SMT 吸着クリップ付 30 ~ 80極

Receptacle Vertical SMT With Vacuum Clip 30 ~ 80 Positions



RECOMMENDED PATTERN

SECT. X-X

極数 NO. OF POS.	A	B	C
30	14	22	20
40	19	27	25
50	24	32	30
80	39	47	45

注文コード ORDERING CODE

24 5077 0XX 1XX 861+

RoHS 対応品

RoHS Compliant Product

- 0 : STD type
- 2 : H2 type
- 5 : H5.5 type
- 0 : ボス無し Without Boss
- 1 : ボス付 With Boss
- 極数 Number of positions

注) 生産可能極数については営業部にご確認願います。
Note) Feel free to contact our sales department for available numbers of positions.

1.0mm Pitch

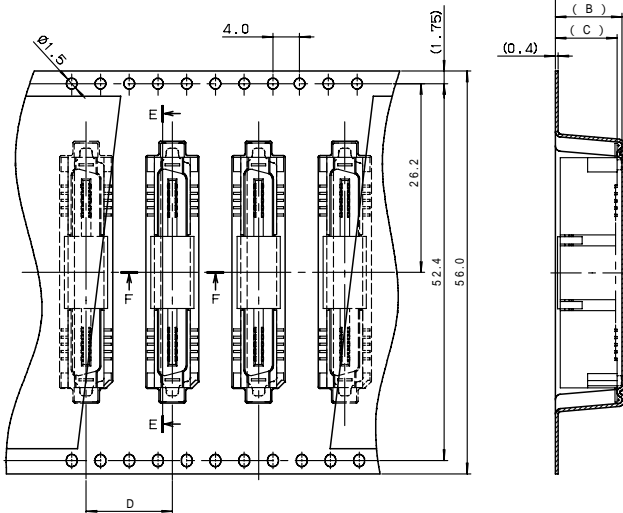
SERIES

5077

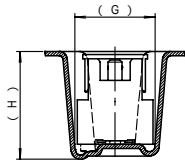
プラグ/リセ ST エンボス梱包

Plug/Receptacle Vertical Tape & Reel Package

Plug



SECT. E-E



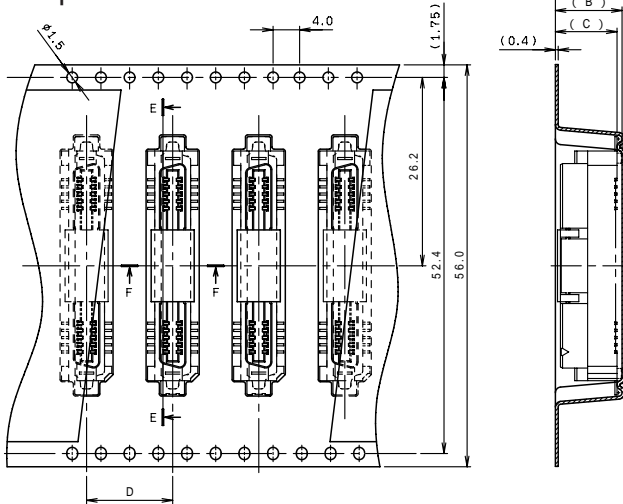
SECT. F-F

RoHS 対応品
RoHS Compliant Product

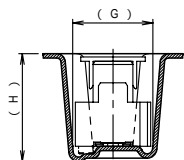
Type	型番 P/N	A	B	C	D	G	H	梱包数 QTY/A REEL
STD	14 5077 0XX 100 861+ (Without Boss)	7.7	7.3	6.6	12	7.4	8	500
	14 5077 0XX 110 861+ (With Boss)							
H1	14 5077 0XX 101 861+ (Without Boss)	8.7	8.3	7.6	12	7.4	9	500
	14 5077 0XX 111 861+ (With Boss)							
H2	14 5077 0XX 102 861+ (Without Boss)	9.7	9.3	8.6	12	7.4	10	500
	14 5077 0XX 112 861+ (With Boss)							
H5.5	14 5077 0XX 105 861+ (Without Boss)	13.2	12.8	12.1	16	7.45	13.5	450
	14 5077 0XX 115 861+ (With Boss)							

極数 Number of
positions

Receptacle



SECT. E-E



SECT. F-F

RoHS 対応品
RoHS Compliant Product

Type	型番 P/N	A	B	C	D	G	H	梱包数 QTY/A REEL
STD	24 5077 0XX 100 861+ (Without Boss)	7.7	7.3	6.6	12	7.4	8	500
	24 5077 0XX 110 861+ (With Boss)							
H2	24 5077 0XX 102 861+ (Without Boss)	9.7	9.3	8.6	12	7.4	10	500
	24 5077 0XX 112 861+ (With Boss)							
H5.5	24 5077 0XX 105 861+ (Without Boss)	13.2	12.8	12.1	16	7.45	13.5	450
	24 5077 0XX 115 861+ (With Boss)							

極数 Number of
positions

注) 生産可能極数については営業部にご確認願います。
Note) Feel free to contact our sales department for available numbers of positions.