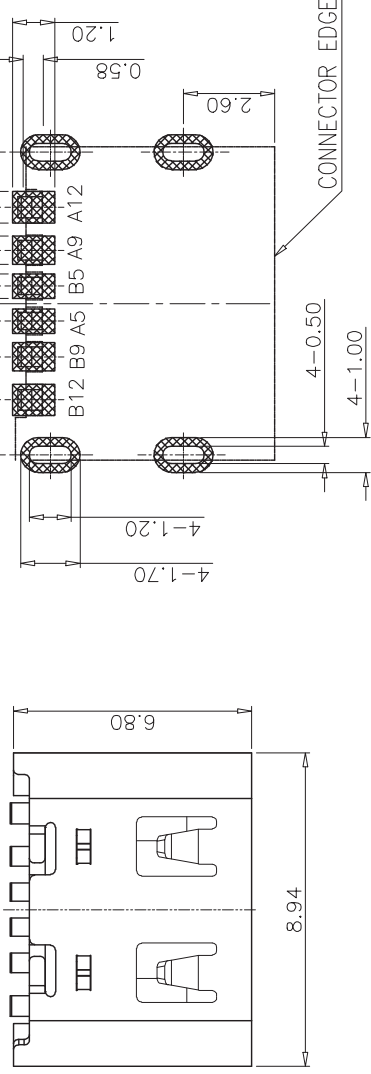
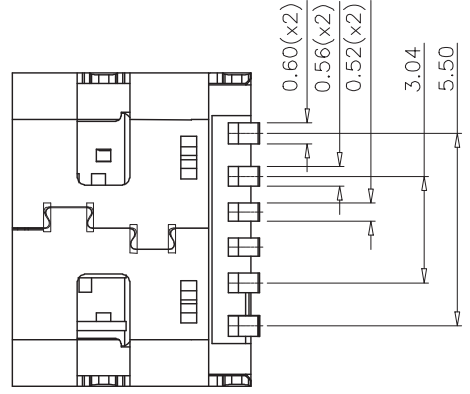
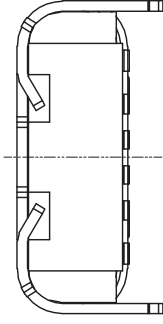
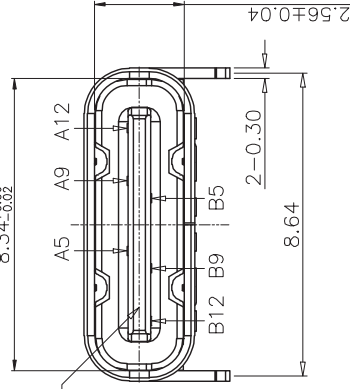


Rev No.	Description of Revision	Date	Name	Approved	ECN No.
X					



RECOMMENDED PCB LAYOUT(TOP VIEW)  
THICKNESS 1.6±0.10MM;DEFAULT TOLERANCE:±0.05

OF 1.68



PIN ASSIGNMENTS

PIN	SIGNAL NAME	PIN	SIGNAL NAME
A5	CC1	B12	GND
A9	VBUS	B9	VBUS
A12	GND	B5	CC2

UNLESS OTHERWISE SPECIFIED TOLERANCES

DECIMALS:	ANGLES	TITLE	TYPE-C 6Pin 板上型6.80mm 带双压片
X. ±0.20	X°. ±2°	DrdWth JACK.LI	PART NO. USB-TYPE-C-010
X.X ±0.15	X.X' ±1'	Checked PETER.LIU	SCALE 1:8 UNIT mm
X.XX ±0.10	X.XX' ±0.5'	Approved JACK.D	SIZE A4 SHEET 1 of 1 REV. A
XXX ±0.05			CUSTOMER COPY

DONGDUAN DEALON ELECTRONICS CO.,LTD	
-------------------------------------	--

NOTE:

- MATERIAL SPECIFICATION:
  - HOUSING:HIGH TEMPERATURE RESISTANT PLASTIC,UL94 V-0.
  - CONTACTS:COPPER ALLOY
  - MID PLATE: STAINLESS STEEL
  - FRONT SHELL: STAINLESS STEEL
- PLATING SPECIFICATION:
  - CONTACTS: Ni 50u" MIN. UNDER PLATED OVER ALL. AU PLATED ON THE FUNCTIONAL AREA OF CONTACT. (GOLD PLATING THICKNESS FOLLOW THE P/N)
  - FRONT SHELL: PLATING SPECIFICATIONS OF THE SOLDER AREA FOLLOW THE P/N
- SEE TABLE1.
- CLEAR ONLY
- MECHANICAL PERFORMANCE.
  - INSERTION FORCE: 0.5~2.0kgf.
  - REMOVAL FORCE: 0.8kgf~2.0kgf.
  - DURABILITY: 10000 CYCLES.
- ELECTRICAL PERFORMANCE.
  - CURRENT RATING:5.0A VOLTAGE RATING:5.0V
  - LLCR: VBUS & GND PINS AND OTHER PINS: 40mΩ/PIN MAX. SHIELD: 50mΩ/MAX. LLCR MAX. CHANGE OF ALL PINS: 10mΩ.
  - INSULATION RESISTANCE: 100MΩ MIN
  - DIELECTRIC WITHSTAND VOLTAGE:AC 100V FOR 1 MINUTE.
- ENVIRONMENTAL PERFORMANCE:
  - OPERATING TEMPERATURE: -25°C~+85°C.
  - IR REFLOW: THE PEAK TEMPERATURE ON THE BOARD SHALL BE MAINTAINED FOR 10 SECONDS AT 260°C.