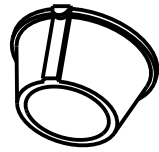
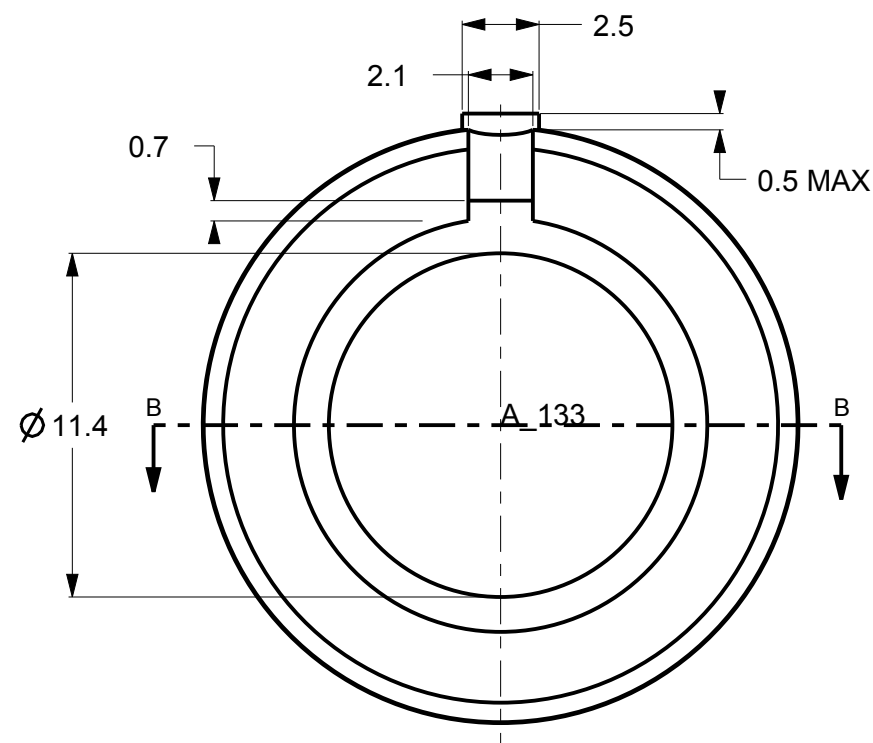
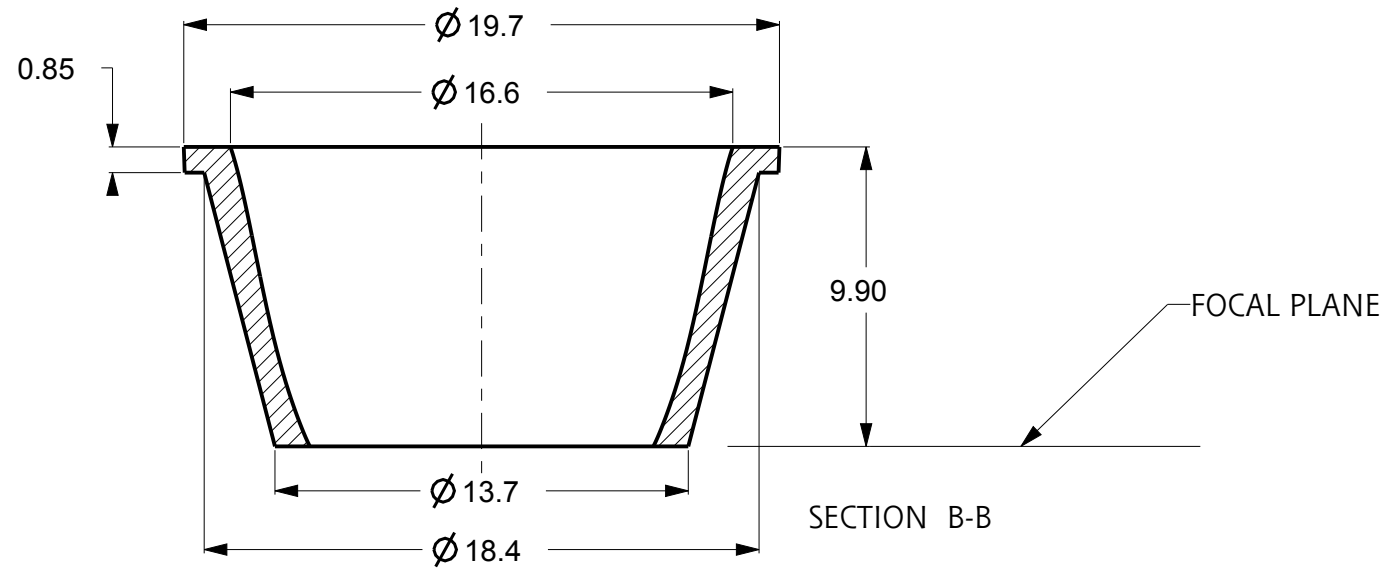


CUSTOMER DRAWING SHEET 2 ONLY

REV.	DATE	D.C.N. NUMBER	DESCRIPTION	CHECKED BY DATE	APPROVED BY DATE
1	21/06/06		FIRST ISSUE	AB 22/06/06	AJD 26/06/06
2	29/04/10	04-10-1270	DRW DATA FILE NUMBER UPDATED	AB 05/05/10	MB 07/05/10
2A	17/11/11	11-11-1315	ADDED PART NUMBERS TABLE	PW 17/11/11	MB 22/11/11



GENERAL VIEW
SCALE 1:1



PART NUMBER	SUBSTRATE	COATING
PP/ 10170/01	POLYCARBONATE	NONE
10170	POLYCARBONATE	ALUMINIUM
10255	POCAN	NONE

SCALE 4:1

Sheet 1 of 1

 103 BUCKINGHAM AVE, SLOUGH, BERKSHIRE, SL1 4PF, UK Tel: +44 1753 610800 Fax: +44 1753 811359 design@carclo-optics.com www.carclo-optics.com	Title		80 DEG FWHM DIA 20mm REFLECTOR OPTIC				
	Customer		CARCLO				
Drawn by		AJD	Material	SEE TABLE		Scale	AS SPEC.
THIRD ANGLE PROJECTION	GENERAL TOLERANCES UNLESS OTHERWISE STATED		DIMENSIONS IN mm		Format Size		A3
-	LINEAR	ANGULAR	CAD File		60426		
	0 ± 0.25	0 ± 1°	Drw. N°		60426		Part N° 10170
	0.0 ± 0.1	0.0 ± 0.5°	CARCLO technical plastics CONFIDENTIAL: UNAUTHORISED COPYING, DISCUSSION & DISTRIBUTION PROHIBITED				
	0.00 ± 0.05	0.00 ± 0.1°					