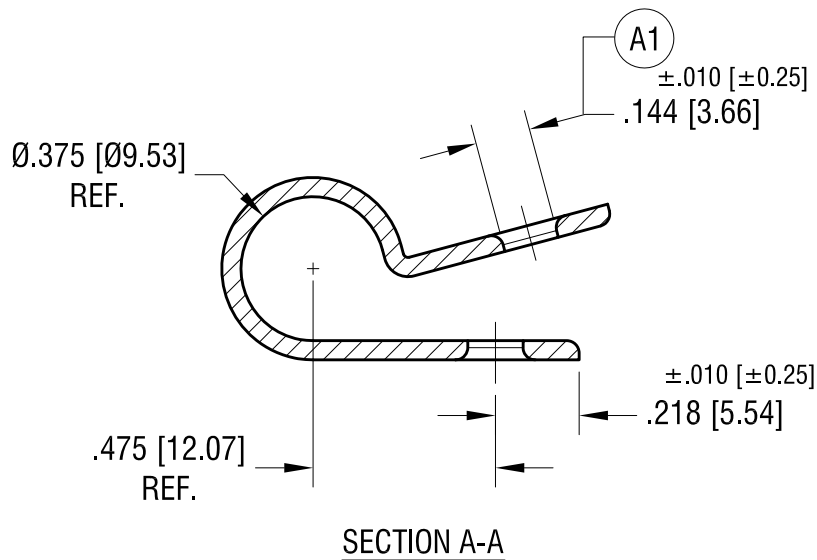
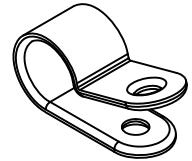
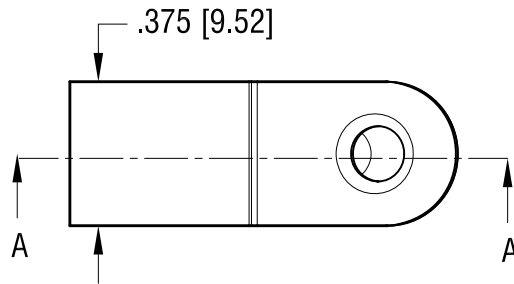


THIS DOCUMENT IS THE PROPERTY OF
KEYSTONE ELECTRONICS CORP. AND
SHALL NOT BE REPRODUCED, DISTRIBUTED
OR USED AS A BASIS FOR MANUFACTURE
WITHOUT PRIOR WRITTEN PERMISSION
FROM KEYSTONE ELECTRONICS CORP.

ACTUAL SIZE



SECTION A-A

KEYSTONE ELECTRONICS CORP.

www.keyelco.com • NEW HYDE PARK, NY 11040 • Tel (516) 328-7500

PART NAME

NYLON CABLE CLAMP

MATERIAL

.050 [1.27] TH'K NYLON 6/6

FINISH

NONE

DRN BY

BOONE

DATE

11.02.06

APP'D

RH

SCALE

2X

TOLERANCES

INCH [MM]

DECIMAL

± .005 [± 0.13]

ANGULAR ± 1°

UNLESS OTHERWISE SPECIFIED

CODE

C

DWG NO.

7628

10.14.22	UPDATE TOLERANCE CHANGE AS PER ECN 22-161	B
3.03.21	(A1) WAS .140 [3.56] CHANGE AS PER ECN 21-024	A
DATE	DESCRIPTION	REV.