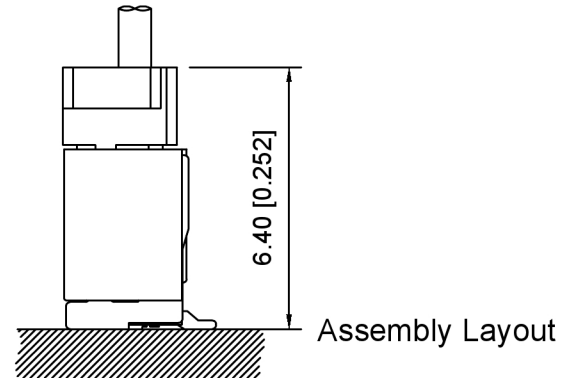
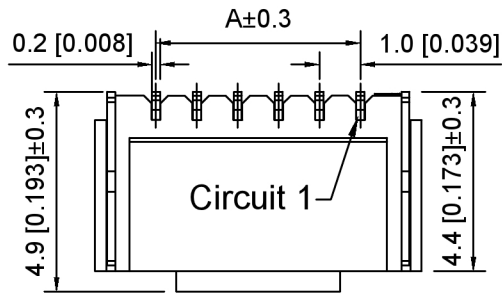
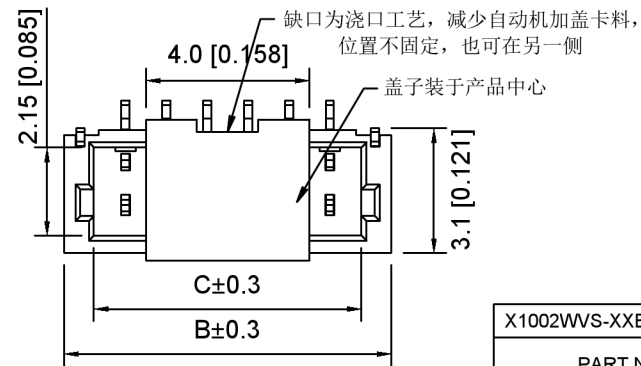
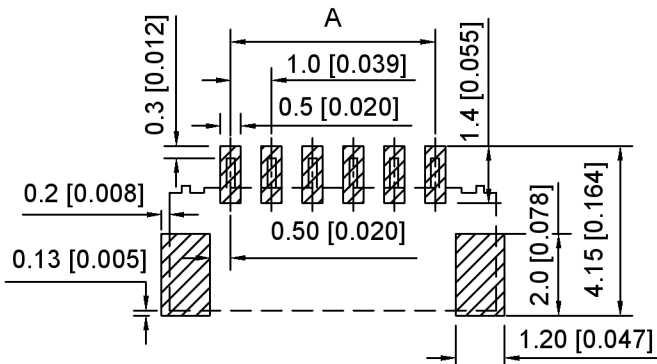


Specifications:  
 规格:  
 Voltage rating: 50V AC/DC  
 额定电压: 50V AC/DC  
 Current rating: 1A AC/DC  
 额定电流: 1A AC/DC  
 Withstanding voltage: 500V AC/minute  
 耐受电压: 500V AC/分钟  
 Temperature range: -25°C~+85°C  
 温度范围: -25°C~+85°C  
 Insulation resistance: ≥100MΩ  
 绝缘电阻: ≥100MΩ  
 Contact resistance: ≤20mΩ  
 接触电阻: ≤20mΩ



X1002 W V S - XX E - LP SW HF  
 ① ② ③ ④ ⑤ ⑥ ⑦ ⑧ ⑨

- Series No
- Category: W-Wafer
- Welding Board Angle: V-Stright 180°
- Welding Way: S-SMT
- Row No. Pin No: XX-02~10P
- Special No: E-Ear clip
- Material: LP-LCP UL94V-0 Natural  
CAP: LCP UL94V-0 Natural
- Plating: SW-Matte Tin / V01-Gold Flash
- HF-Halogen Free; Blank-Halogen



Poles	Dimensions(mm)			Poles	Dimensions(mm)		
	A	B	C		A	B	C
02	1.00	4.00	2.45	10	9.00	12.00	10.45
03	2.00	5.00	3.45	11	10.00	13.00	11.45
04	3.00	6.00	4.45	12	11.00	14.00	12.45
05	4.00	7.00	5.45	13	12.00	15.00	13.45
06	5.00	8.00	6.45	14	13.00	16.00	14.45
07	6.00	9.00	7.45	15	14.00	17.00	15.45
08	7.00	10.00	8.45	16	15.00	18.00	16.45
09	8.00	11.00	9.45	20	19.00	22.00	20.45

X1002WVS-XXE-LPSWHF	LCP	Phosphor Bronze	X1002T
PART NO	Material	Material(Pin)	Suitable XKB Housing

Recommended PCB Layout

广东星坤科技股份有限公司

Δ*	日期
ΔX	日期
Δ改	日期

文件工程章

MARK	DESCRIPTION	DATE	REVISED	APPROVED	UNSPECIFIED TOLERANCES
					ANGLAR ±5°
					L ≤ 4 ±0.2
					4 < L ≤ 16 ±0.3
					16 < L ≤ 63 ±0.4
					L > 63 ±0.5



DSND	SCALE: N/A
DWN	VIEW:
CHKD	UNIT: mm/in
APPD	SIZE: A4

MODEL TYPE: 1.0mm Crimp Style Connector		
PART NO.: X1002WVS-XXE-LPSWHF		
DWG NO.: X-X1002WVS-XXE-LPSWHF		
WEIGHT	SHEET	REVISION
	1/1	A0

XKB INDUSTRIAL PRECISION CO., LIMITED