

PART NO MATRIX

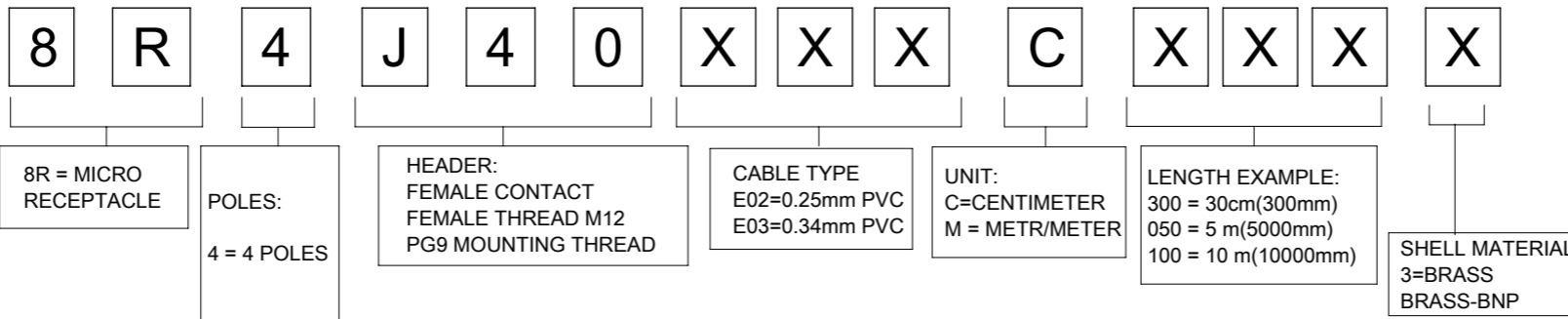
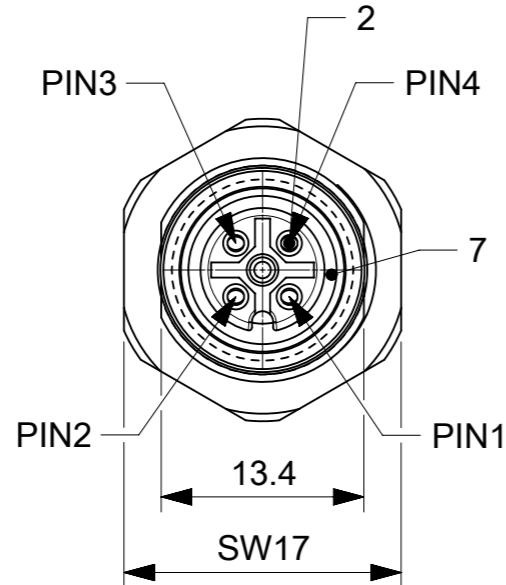
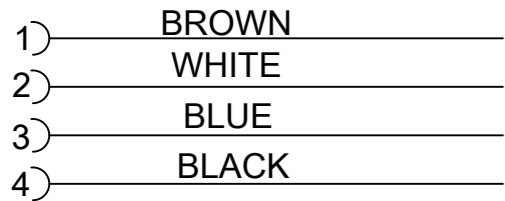


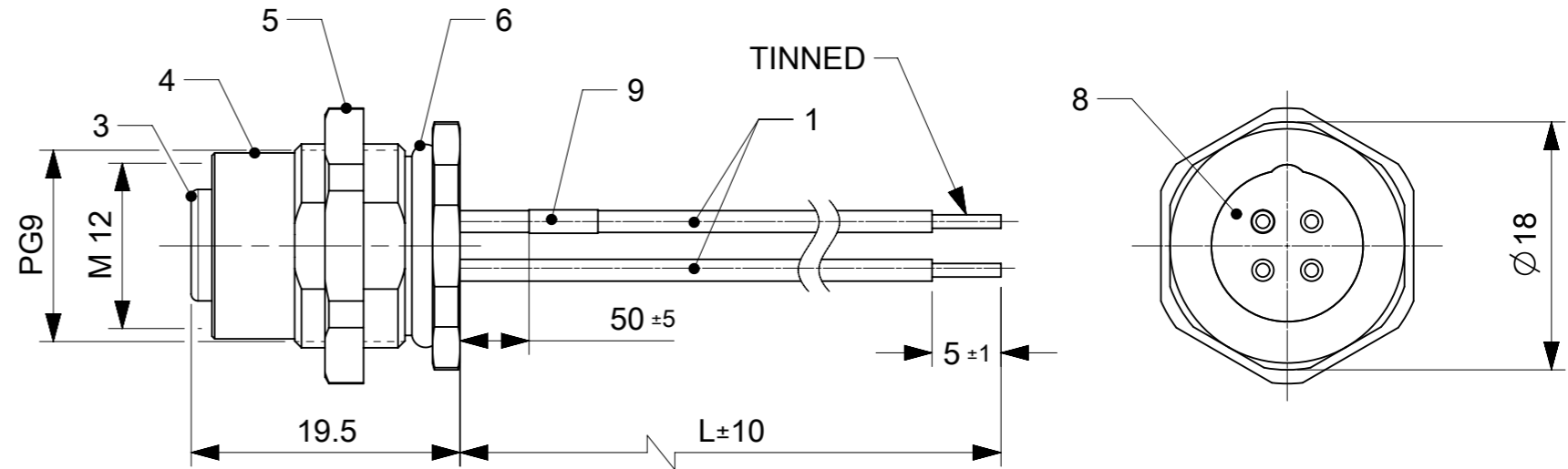
TABLE 1

MOLEX P/N	ENGINEERING NO.	L [mm]
1200705168	8R4J40E03C200	200
1200708015	8R4J40E03C300	300
1200110239	8R4J40E03C3003	300
1200708130	8R4J40E03C500	500
1200708069	8R4J40E03M0303	3000

WIRE DIAGRAM



VIEW FROM FRONT SIDE



NOTES:
ELECTRICAL DATA:
 VOLTAGE RATING: 250V
 AMPERAGE RATING: 4A
 INSULATION RESISTANCE: 10⁸ Ω MIN.
 MATING CYCLES: MAX. 100

ENVIRONMENTAL:
 PROTECTION: IP67
 OPERATING TEMPERATURE: -25°C TO +85°C

BOM

ITEM	QTY.	DESCRIPTION	MATERIAL	FINISH/COLOR
1	-	WIRE 22AMG	PVC	BROWN
		WIRE 22AMG	PVC	WHITE
		WIRE 22AMG	PVC	BLUE
		WIRE 22AMG	PVC	BLACK
2	4	FEMALE CONTACT	BRASS	GOLD OVER Ni-PLATED
3	1	FEMALE INSERT	TPU	BLACK
4	1	SHELL	BRASS	NICKEL PLATED
5	1	LOCKNUT PG9	BRASS	NICKEL PLATED
6	1	O-RING	NBR	BLACK
7	1	GASKET	FPM	RED
8	-	POTTING MATERIAL	EPOXY	TRANSPARENT
9	1	LABEL	VINYL	YELLOW

CABLE SPECIFICATION

CABLE TYPE	NO. OF WIRES	CROSS SECTION	CABLE JACKET	UL	CSA	RATED VOLTAGE	RATED TEMPERATURE
E03	4	0.34mm ²	PVC	UL758, UL1581	C22.2 No.210	300	105

Table of length tolerances

Over	Up to and including	Tolerance
0	305	+19
305	915	+45
915	1830	+56
1830	3660	+89
3660	7320	+165
7320	14640	+317
14640	30500	+610
30500	>	+2% of length

THIS DRAWING CONTAINS INFORMATION THAT IS PROPRIETARY TO MOLEX ELECTRONIC TECHNOLOGIES, LLC AND SHOULD NOT BE USED WITHOUT WRITTEN PERMISSION

Dimension Units: mm, Scale: 2:1

GENERAL TOLERANCES (UNLESS SPECIFIED):
 ANGULAR TOL ± 1.0°
 4 PLACES ±
 3 PLACES ±
 2 PLACES ± 0.05
 1 PLACE ± 0.3
 0 PLACES ± 0.5

DRAFT WHERE APPLICABLE MUST REMAIN WITHIN DIMENSIONS

THIRD ANGLE PROJECTION

DRAWING: A3-SIZE, SERIES: 120070, MATERIAL NUMBER: SEE TABLE, CUSTOMER: GENERAL MARKET, SHEET NUMBER: 1 OF 1

EC NO: 662770, DRWN: SUGEEB, 2021/02/26, CHK'D: GGA, 2021/06/02, APPR: GGA, 2021/06/02

INITIAL REVISION: DRWN: SSM, 2018/09/05, APPR: RSILLER, 2018/09/07

DOCUMENT NUMBER: 1200705168, DOC TYPE: PSD, DOC PART: 000, REVISION: A2

molex

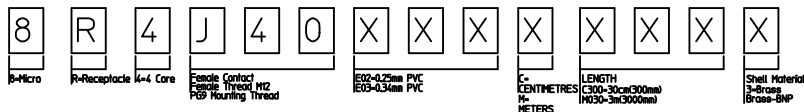
REC M12 4P AC FE STR PVC PG9

PRODUCT CUSTOMER DRAWING

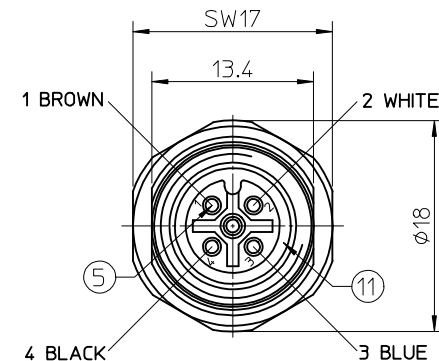
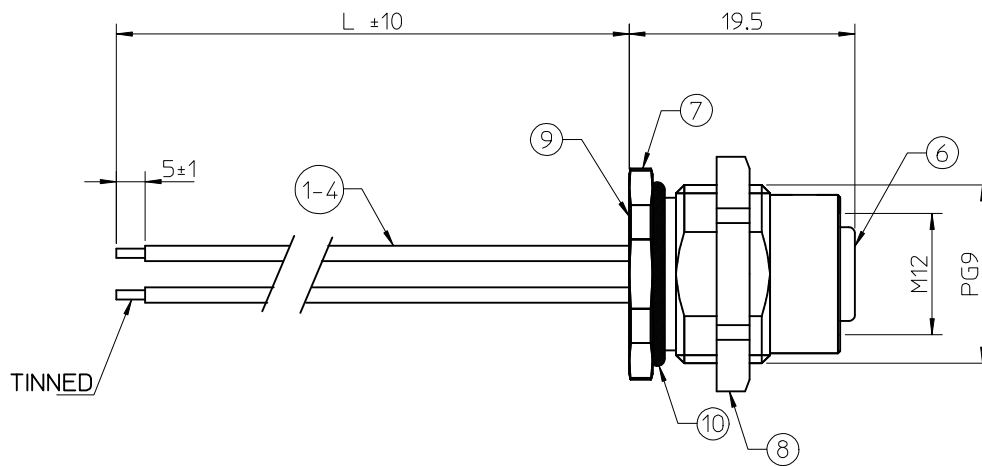
WIRES SPECIFICATION UL1569:

RATED VOLTAGE: 300 V
 RATED TEMPERATURE: 105°C
 PRODUCT STANDARD CERTIFICATION: UL
 FLAMMABILITY TEST: VW-1, CSA FT1
 AWG: 22
 CONSTRUCTION: 17/0.16
 STRANDED DIAMETER: 0.76mm
 INSULATION: PVC
 INSULATION DIAMETER: 1.58 (±0.05)mm

PART No MATRIX



MOLEX PN	ENGINEERING NO.	L [mm]
1200110239	8R4J40E03C3003	300
1200705168	8R4J40E03C200	200
1200708015	8R4J40E03C300	300
1200708069	8R4J40E03M0303	3000
1200708130	8R4J40E03C500	500



VIEW FROM THE FRONT SIDE (WITHOUT THE LOCKNUT)

BILL OF MATERIALS

ITEM	QTY.	DESCRIPTION	MATERIAL	FINISH
11	1	GASKET	FPM	RED
10	1	O-RING	NBR 70	BLACK
9	-	POTTING MATERIAL	-	-
8	1	PG9 LOCKNUT	BRASS	NICKEL PLATED
7	1	M12 PG9 SHELL	CuZn39Pb3	Cu/Ni3b
6	1	M12 4P FEMALE INSERT	PUR	BLACK
5	4	FEMALE CONTACT	CuSn6	CuNi2Au0.7
4	-	WIRE 22AWG	PVC	BLACK
3	-	WIRE 22AWG	PVC	BLUE
2	-	WIRE 22AWG	PVC	WHITE
1	-	WIRE 22AWG	PVC	BROWN

ORIGINAL RELEASE EC NO: IFG2015-0963 DRWN:FGAIK 2014/12/01 CHKD:JMARSZALEK 2014/12/02 APPR:MIWASIECZKO 2014/12/09	QUALITY SYMBOLS ▽=0 ▽=0	GENERAL TOLERANCES (UNLESS SPECIFIED)		DIMENSION STYLE MM ONLY		SCALE ---	DESIGN UNITS METRIC	THIRD ANGLE PROJECTION			
		4 PLACES ± --- ± --- 3 PLACES ± --- ± --- 2 PLACES ± 0.05 ± --- 1 PLACE ± 0.3 ± --- 0 PLACE ± 0.5 ± ---	mm INCH ± --- ± --- ± 0.05 ± --- ± 0.3 ± --- ± 0.5 ± ---	DRAWN BY FGAIK	DATE 2014/12/01	TITLE M12-REC-FEM-4P-BACK-PG9-XM-PVC					
		ANGULAR ± 1 °		CHECKED BY JMARSZALEK	DATE 2014/12/02	DOCUMENT NO. SD-120070-050					
		DRAFT WHERE APPLICABLE MUST REMAIN WITHIN DIMENSIONS		APPROVED BY MIWASIECZKO	DATE 2014/12/09	MATERIAL NO. SEE CHART 1		SHEET NO. 1 OF 1			