

Description

The TMP709 is a fully integrated, resistor-programmable temperature switch with a temperature threshold that is set by just one external resistor within the entire operating range. The TMP709 provides an open-drain, active-low output and has a 2.7V to 5.5V supply-voltage range. °C

The temperature threshold accuracy is typically $\pm 0.5^{\circ}\text{C}$, with a maximum of $\pm 3^{\circ}\text{C}$ (60°C to 100°C). The quiescent current consumption is typically 33 μA . Hysteresis is pin-selectable to 2°C or 10°C.

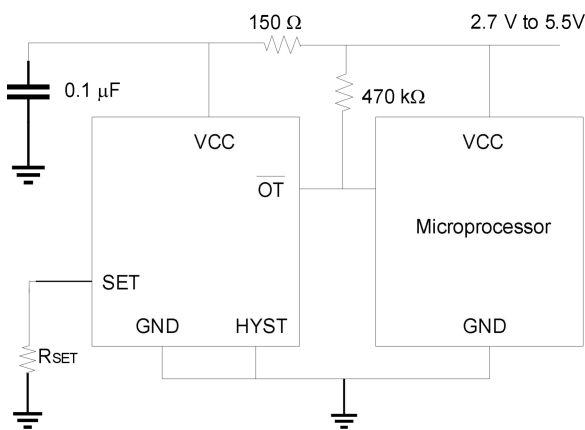
The TMP709 is available in a 5-pin SOT-23 and small DFN 6 package.

Features

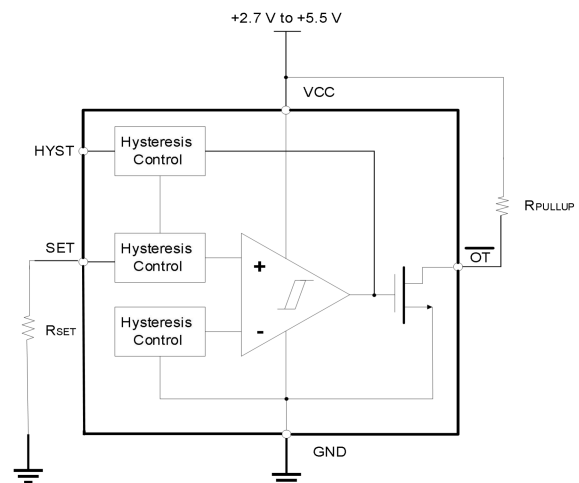
- Threshold accuracy:
 - $\pm 0.5^{\circ}\text{C}$ Typical
 - $\pm 3^{\circ}\text{C}$ Maximum (+ 60°C to 100°C)
- Temperature threshold set by 1% external resistor
- Low quiescent current: 33 μA typical
- Open-drain, active-low output stage
- Pin-selectable 2°C or 10°C hysteresis
- Reset operation specified at VCC = 0.8V
- Power range: 2.7V to 5.5V
- Packaging: 5-pin SOT23, 6-pin DFN package

Applications

- Computers (laptops and desktops)
- servers
- Industrial and medical equipment
- Storage Area Networks
- Automobiles

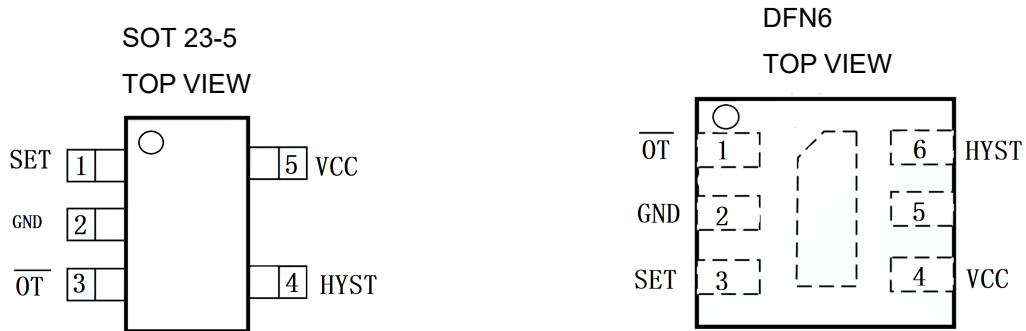


Typical Application



Chip Internal Structure Diagram

Pin Configuration and Functions



Pin Functions

PIN			DESCRIPTION
SOT 23-5	DFN6	NAME	
1	3	SET	Temperature set point. Connect an external 1% resistor between SET and GND.
2	2	GND	Device ground.
3	1	OT	Open-drain, active-low output.
4	6	HYST	Hysteresis selection. For 10°C, HYST = VCC; for 2°C, HYST = GND.
5	4	VCC	Supply voltage pin. The voltage range is 2.7V to 5.5V.
	5	NC	No connection.

Absolute Maximum Ratings

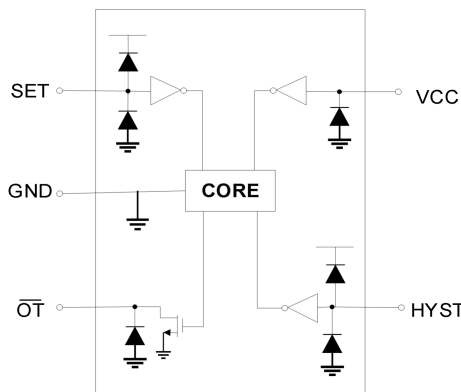
	MIN	MAX	UNIT
Supply Voltage VCC	-0.3	6	V
$\overline{\text{OT}}$ Pin Voltage	-0.3	6	V
HYST and SET Pin Voltage	-0.3	(Vcc+0.3)	V
Operating Temperature	-40	125	°C
Junction Temperature		150	°C
Storage Temperature	-65	150	°C

Unless otherwise noted, the specifications in the above table apply within the atmospheric temperature range.

Stresses beyond the range may cause permanent damage to the device.

Electrostatic Protection

		Value	UNIT
Electrostatic Discharge Voltage V _{ESD}	Human-body Model (HBM)	5 000	V
	Charged-device Model (CDM)	2000	V
	Latch up Test	100	mA
	Machine Model (MM)	200	V



TMP709 Internal ESD Equivalent Circuit

Recommended Operating Conditions

	MIN	NOM	MAX	UNIT
Supply Voltage VCC	2.7	3.3	5.5	V
Operating Temperature T _A	0		125	°C

Unless otherwise stated, the specifications in the above table apply within the atmospheric temperature range.

Electrical Characteristics

Unless otherwise specified, electrical characteristics of devices at $T_A = 0^{\circ}\text{C}$ to $+125^{\circ}\text{C}$ and $V_{CC} = 2.7\text{V} \sim 5.5\text{V}$.

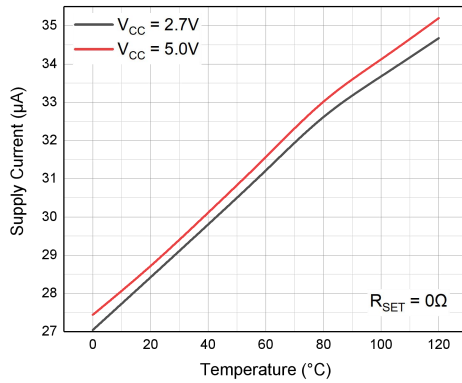
PARAMETER	TEST CONDITIONS	MIN	TYP	MAX	UNIT
Power Supply					
V_{CC} Supply voltage range		2.7		5.5	V
I_{CC} Supply current	$V_{CC} = 5\text{V}$		3.3	55	μA
	$V_{CC} = 2.7\text{V}$		3.3	55	μA
Temperature					
T_E Temperature error	$T_A = +6.0^{\circ}\text{C}$ to $+100^{\circ}\text{C}$		± 0.5	± 3	$^{\circ}\text{C}$
Digital input (HYST)					
V_{IH} High level input voltage		$0.7 \times V_{CC}$			V
V_{IL} Low level input voltage				$0.3 \times V_{CC}$	V
C_{IN} Input capacitance			10		pF
Analog input (SET)					
V_{IN} Input voltage range		0		V_{CC}	V
I_{lkg_in} Input leakage current			1		μA
Digital open-drain output (OT)					
$I_{(OT_SINK)}$ Output sink current	$V_{OT} = 0.3\text{V}$	5	12		mA
$I_{lkg(OT)}$ Output leakage current	$V_{OT} = V_{CC}$		1		μA

Thermal Information

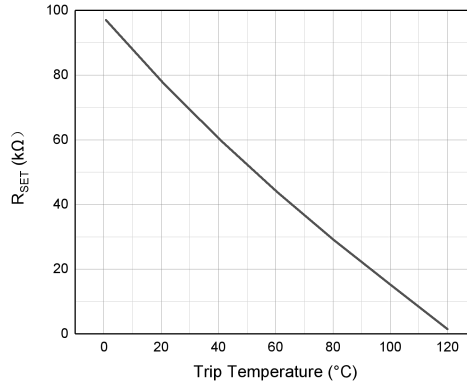
THERMAL METRIC		TMP709	UNIT
		DBV(SOT23)	
		5 PINS	
θ_{JA}	Junction to ambient thermal resistance	217.9	$^{\circ}\text{C}/\text{W}$
θ_{JCtop}	Junction to chip case (top) thermal resistance	86.3	
θ_{JB}	Junction to board thermal resistance	44.6	
ψ_{JT}	Junction to top characterization parameters	4.4	
ψ_{JB}	Junction to circuit board characterization parameters	43.8	
θ_{JCbo}	Junction to chip case (bottom) thermal resistance	unavailable	

Typical Characteristics

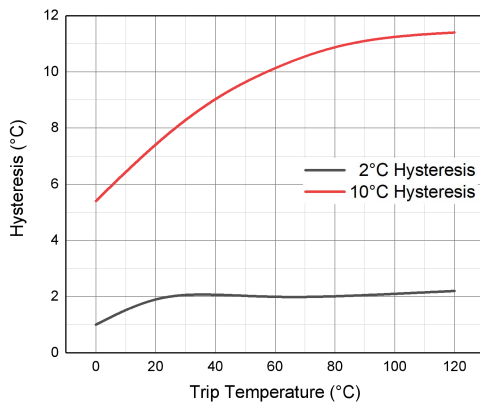
At $T_A = +25^\circ\text{C}$ and $V_{CC} = 2.7\text{ V to } 5.5\text{ V}$ (unless otherwise noted).



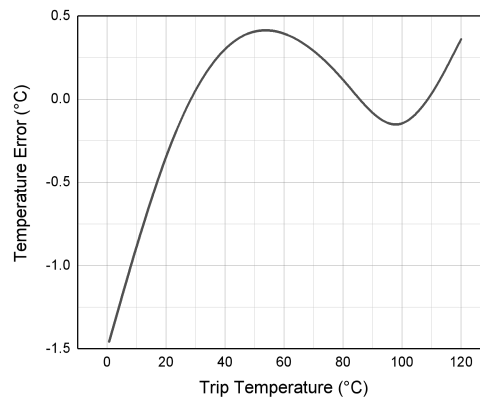
Supply Current vs Temperature



Rset vs Trip Temperature

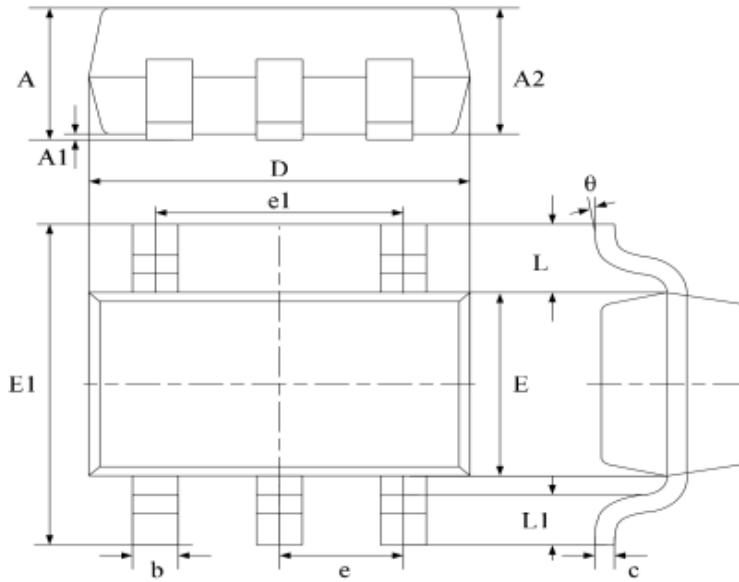


Hysteresis vs. Trip Temperature



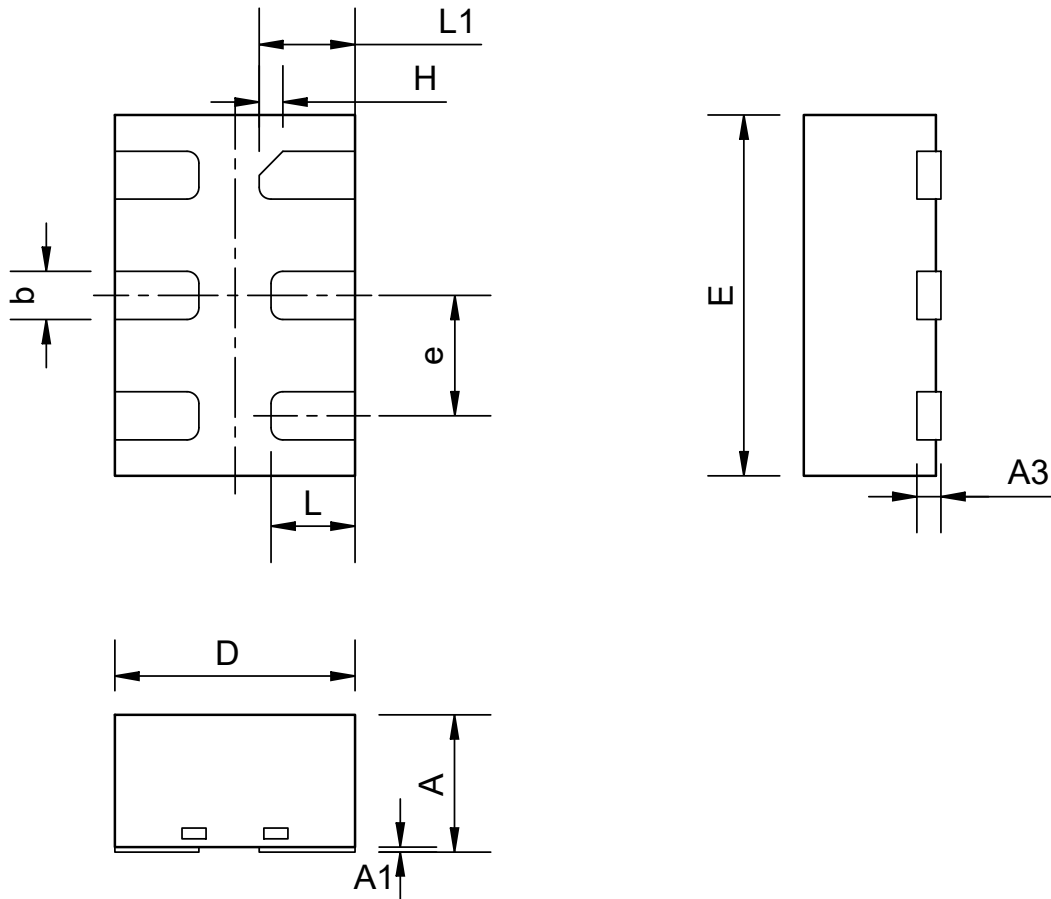
Temperature Error vs Trip Temperature

SOT23-5



Symbol	Dimensions In Millimeters		Dimensions In Inches	
	Min	Max	Min	Max
A	1.040	1.350	0.042	0.055
A1	0.040	0.150	0.002	0.006
A2	1.000	1.200	0.041	0.049
b	0.380	0.480	0.015	0.020
c	0.110	0.210	0.004	0.009
D	2.720	3.120	0.111	0.127
E	1.400	1.800	0.057	0.073
E1	2.600	3.000	0.106	0.122
e	0.950 typ.		0.037 typ.	
e1	1.900 typ.		0.078 typ.	
L	0.700 ref.		0.028 ref.	
L1	0.300	0.600	0.012	0.024
θ	0°	8°	0°	8°

DFN6(1.0×1.5)



COMMON DIMENSIONS
(UNITS OF MEASURE=MILLIMETER)

SYMBOL	MIN	NOM	MAX
A	0.50	--	0.60
A1	0	0.02	0.05
A3	0.10REF		
b	0.15	0.20	0.25
D	0.90	1.00	1.10
E	1.40	1.50	1.60
e	0.40	0.50	0.60
H	0.10REF		
L	0.30	0.35	0.40
L1	0.35	0.40	0.45

Ordering information

Order code	Package	Baseqty	Deliverymode	Marking
UMW TMP709AIDBVR	SOT23-5	3000	Tape and reel	SBJ U
UMW TMP709D	DFN6	5000	Tape and reel	SBJ U