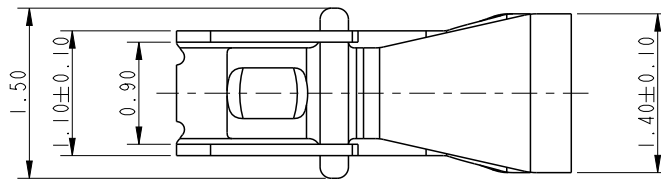
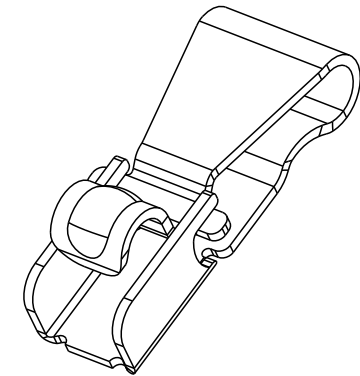
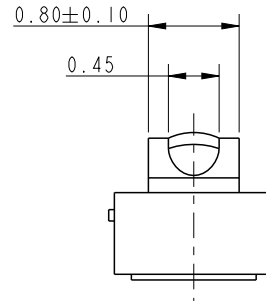
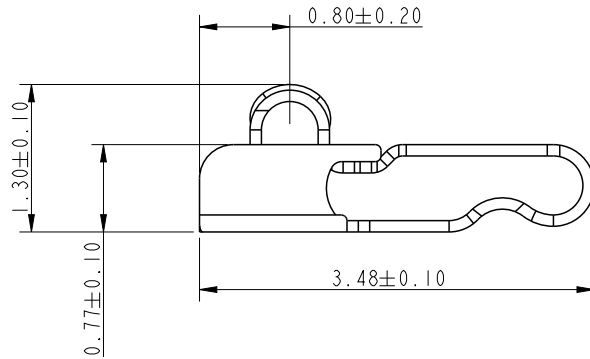


	PRODUCT NO.
FCI	10094594-001RLF
	10094594-003RLF
	10094594-009RLF



NOTES:

- MATERIAL: BERYLLIUM COPPER ALLOY.
- CONTACT PLATING:
CONTACT AREA: PLATING 1um Au OVER 1.0/3.0 um Ni UNDERPLATE.
or PLATING 0.05~0.15um Au OVER 1.0/3.0 um Ni UNDERPLATE.
or PLATING 1um GXT OVER 1.0/3.0 um Ni UNDERPLATE.
(1um GXT=0.025~0.125um Au over 0.875um PdNi)
SOLDER AREA: PLATING 0.05 TO 0.15um Au OVER 1.0/3.0 um Ni UNDERPLATE.
- PACKAGING: TAPE & REEL
- PART NUMBER DESCRIPTION:
10094594- 0 0 X X X

LF: LEAD FREE
R: TAPE & REEL

CONTACT PLATING:
1: 1um Au over Ni
3: Gold flash over Ni
9: 1um GXT over Ni

rev	ecn no	dr	date
A	DG09-0043	SH	2009-02-20
B	DG11-0048	SM	2011-02-22
C	ELX-DG-011644-1	AL	2012-05-18
-	-	-	-
-	-	-	-
-	-	-	-
-	-	-	-

spec ref	*	dr	Louis Ng	2009/07/14	projection	mm	size	A4	scale	15.000	
tolerance std	ASME Y14.5	eng	Andy Lu	2012/05/18			ecn no		ELX-DG-011644-1		
TOLERANCES UNLESS OTHERWISE SPECIFIED		chr	Young Ou	2012/05/18			rel level		Released		
surface	ASME Y14.5	appr	Pei-Ming Zheng	2012/05/21	product family		-		-		
	linear	0.X	±0.25		title	ANTENNA CONNECTOR		dwg no	10094594		
		0.XX	±0.15			UNIVERSAL CONTACT			rev	C	
		0.XXX	±0.050			cat. no.				-	
angular	0°	±3°	www.fci.com	Product - Customer Drw		sheet 1 of 1					