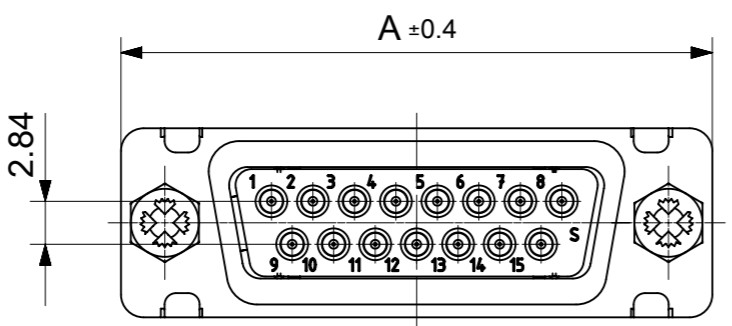
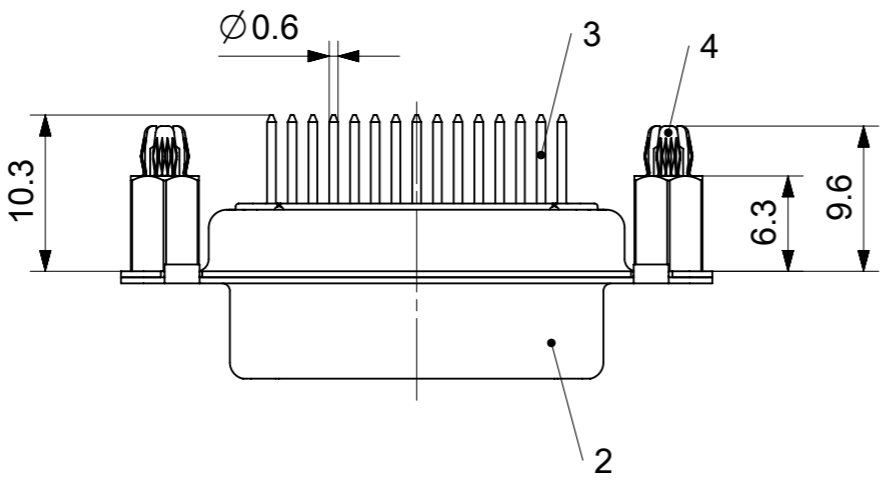
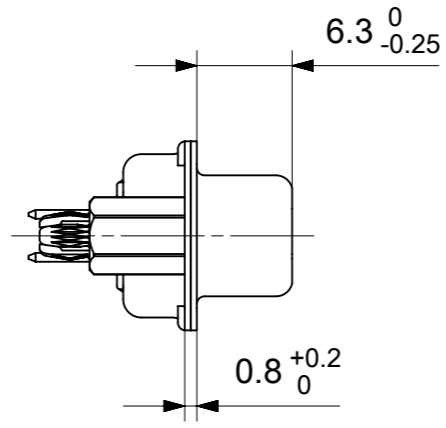
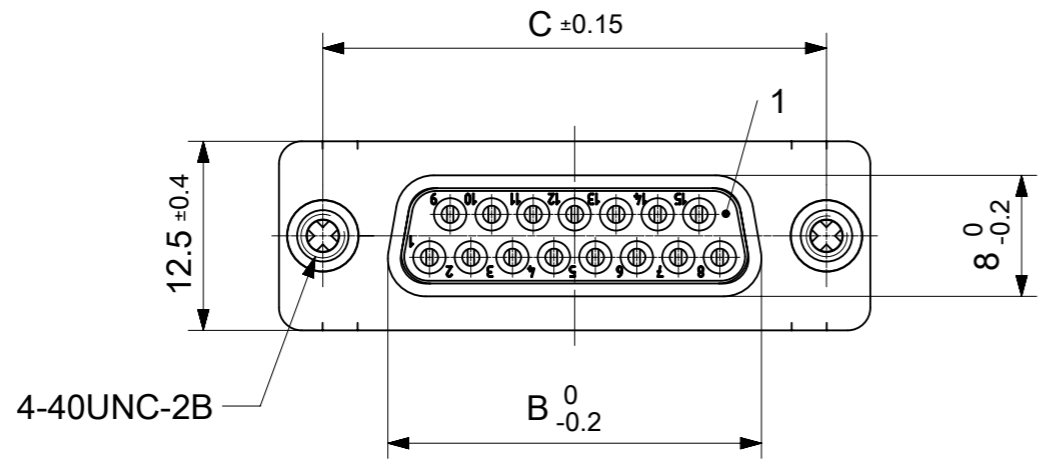


RoHS compliant
by exemption



FCT Part number:

Fxx*1)S1y*2)-2304

e.g. F15S1G1-2304

*1) xx No. of contacts 09, 15, 25 or 37

*2) y for performance classes 1, 2 or 3

(contact cycle for G1/G2/G3 = 500/200/50)

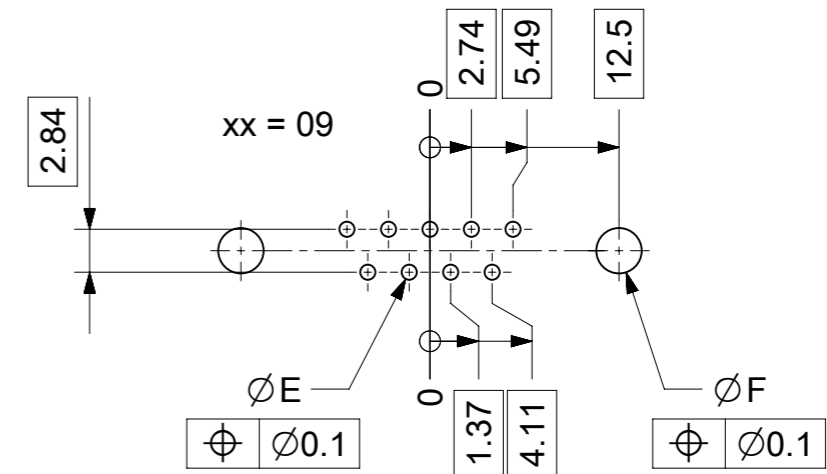
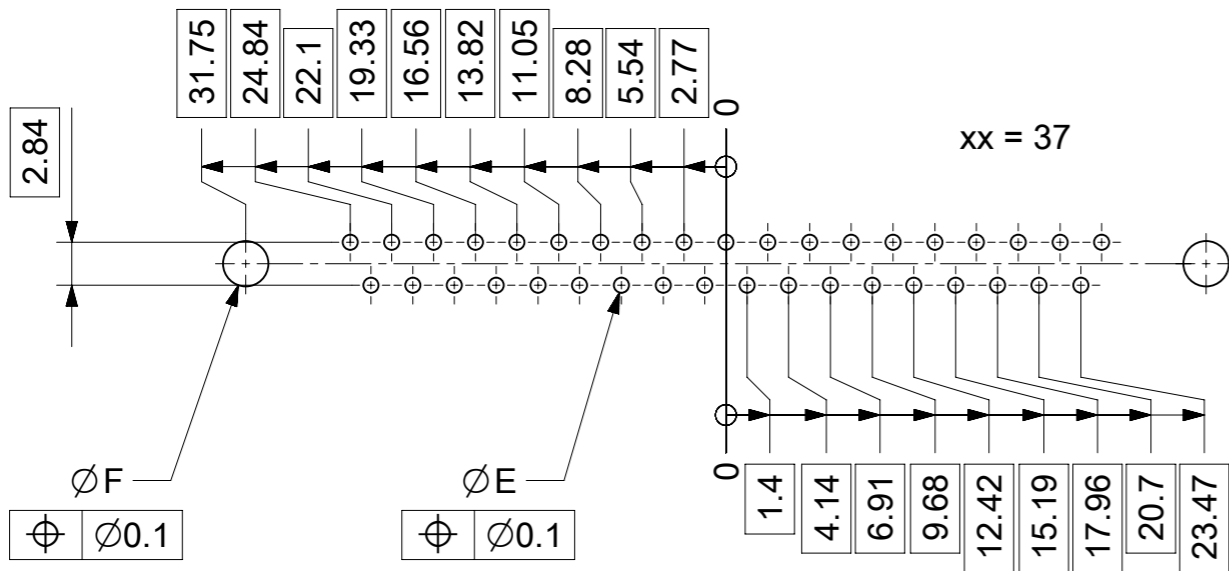
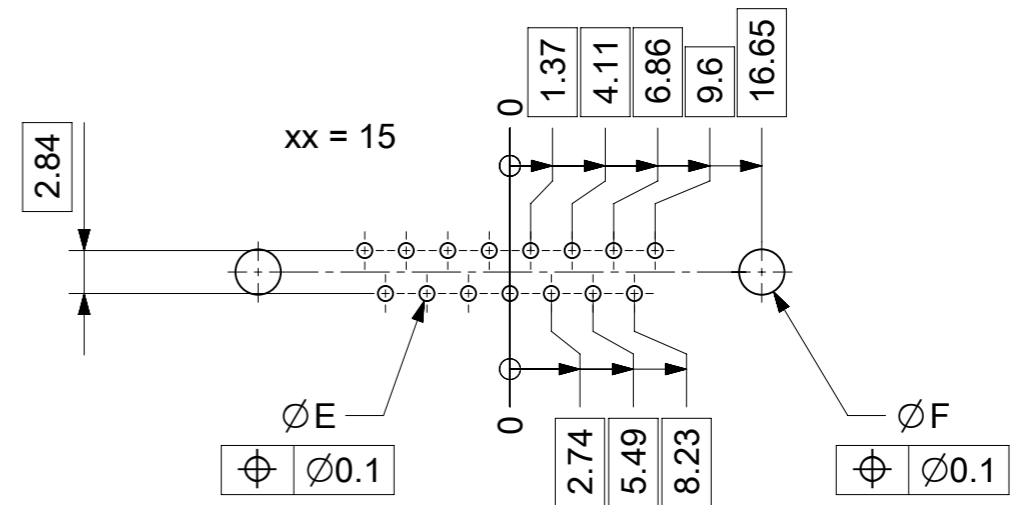
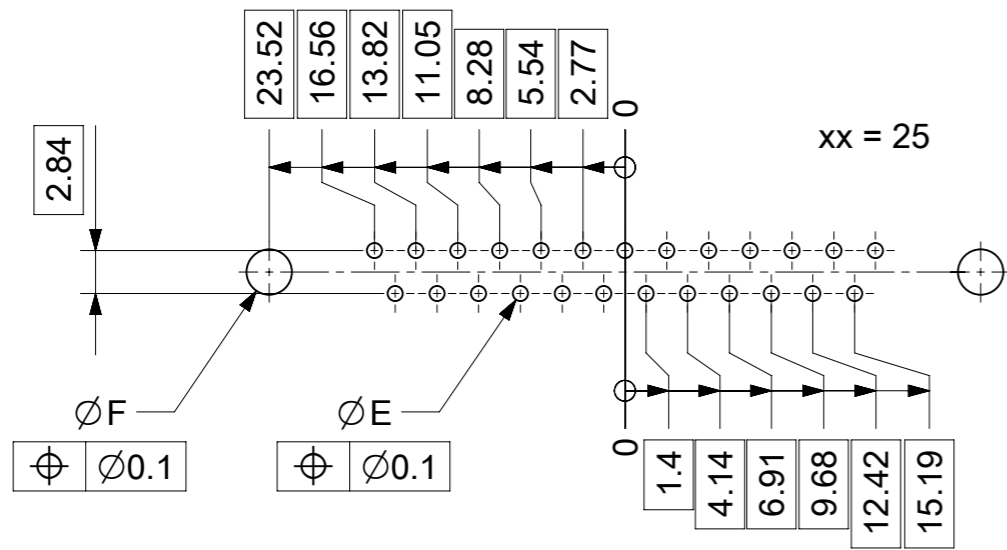
Material Number	xx*1)	y*2)	A[mm]	B[mm]	C[mm]	*E[mm]	*F[mm]
1731091155	09	G1	30.8	16.4	25	Ø1.1	Ø3
1731091169		G2					
1731091328	15	G1	39.1	24.7	33.3		
1731091345		G3					
1731091468	25	G3	53	38.5	47.04		
1731091547	37	G2	69.3	54.9	63.5		

*PCB hole patterns ØE, ØF see document 2195600023

No.	Pc.	Part	Type Description/Material	Surface plating/Color/Class
4	2	Snap-in bolt	PCB 1.6mm / Brass	tin plated
3	xx	Signal contact	S1 / Brass	G1 /G2 /G3
2	1	Shell	Steel	tin plated
1	1	Insulator	PBT (-55°C to +125°C) acc. UL94V-0	white

MEASUREMENTS WITHOUT TOLERANCE ACC TO ISO 2768-m
REPLACEMENT FOR DOCUMENT NUMBER: FxxS1Gy-2304

FUNCTIONAL SYMBOLS $\nabla_A = 0$ $\nabla_E = 0$ $\nabla_F = 0$	THIS DRAWING CONTAINS INFORMATION THAT IS PROPRIETARY TO MOLEX ELECTRONIC TECHNOLOGIES, LLC AND SHOULD NOT BE USED WITHOUT WRITTEN PERMISSION	SCALE 2:1	molex FCT D-SUB MINIATURE CONNECTOR PRODUCT CUSTOMER DRAWING
	GENERAL TOLERANCES (UNLESS SPECIFIED)	CURRENT REV DESC:	
	ANGULAR TOL ± °	EC NO: 708549 DRWN: SUGEEB 2021/12/03 CHK'D: MTEUBEL 2022/05/30 APPR: MTEUBEL 2022/05/30	
	4 PLACES ±	INITIAL REVISION:	
DIVISIONAL SYMBOLS	3 PLACES ±	DRWN: SUGEEB 2021/12/03 APPR: MTEUBEL 2022/05/30	DOCUMENT NUMBER 1731091155
2 PLACES ±	1 PLACE ±		DOC TYPE PSD
1 PLACE ±	0 PLACES ±		DOC PART 000
			REVISION A
			DOCUMENT NUMBER 1731091155
			DOC TYPE PSD
			DOC PART 000
			REVISION A
			DOCUMENT NUMBER 1731091155
			DOC TYPE PSD
			DOC PART 000
			REVISION A
			DOCUMENT NUMBER 1731091155
			DOC TYPE PSD
			DOC PART 000
			REVISION A
			DOCUMENT NUMBER 1731091155
			DOC TYPE PSD
			DOC PART 000
			REVISION A



ØE, ØF see data sheet incl. connector
 ØF connectors with accessories only

MEASUREMENTS WITHOUT TOLERANCE ACC TO ISO 2768-m			REPLACEMENT FOR DOCUMENT NUMBER: AM0023		
FUNCTIONAL SYMBOLS	THIS DRAWING CONTAINS INFORMATION THAT IS PROPRIETARY TO MOLEX ELECTRONIC TECHNOLOGIES, LLC AND SHOULD NOT BE USED WITHOUT WRITTEN PERMISSION		<div style="text-align: center; font-size: 24pt; font-weight: bold;">molex</div> <p>FCT PCB HOLE PATTERN STRAIGHT CONTACT NO. OF CONTACTS 09-37</p>		
	$\nabla_A = 0$ $\nabla_E = 0$ $\nabla_P = 0$	DIMENSION UNITS: mm SCALE: 2:1 GENERAL TOLERANCES (UNLESS SPECIFIED) ANGULAR TOL ± °			
DIVISIONAL SYMBOLS	4 PLACES ±	±	PRODUCT CUSTOMER DRAWING		
	3 PLACES ±	±	DOCUMENT NUMBER: 2195600023		
	2 PLACES ±	±	DOC TYPE: PSD	DOC PART: 000	REVISION: A
	1 PLACE ±	±	SHEET NUMBER: 1 OF 1		
0 PLACES ±	±	MATERIAL NUMBER: 219560			
DRAFT WHERE APPLICABLE MUST REMAIN WITHIN DIMENSIONS		FIRST ANGLE PROJECTION	DRAWING: A3-SIZE	SERIES: 219560	CUSTOMER: GENERAL MARKET