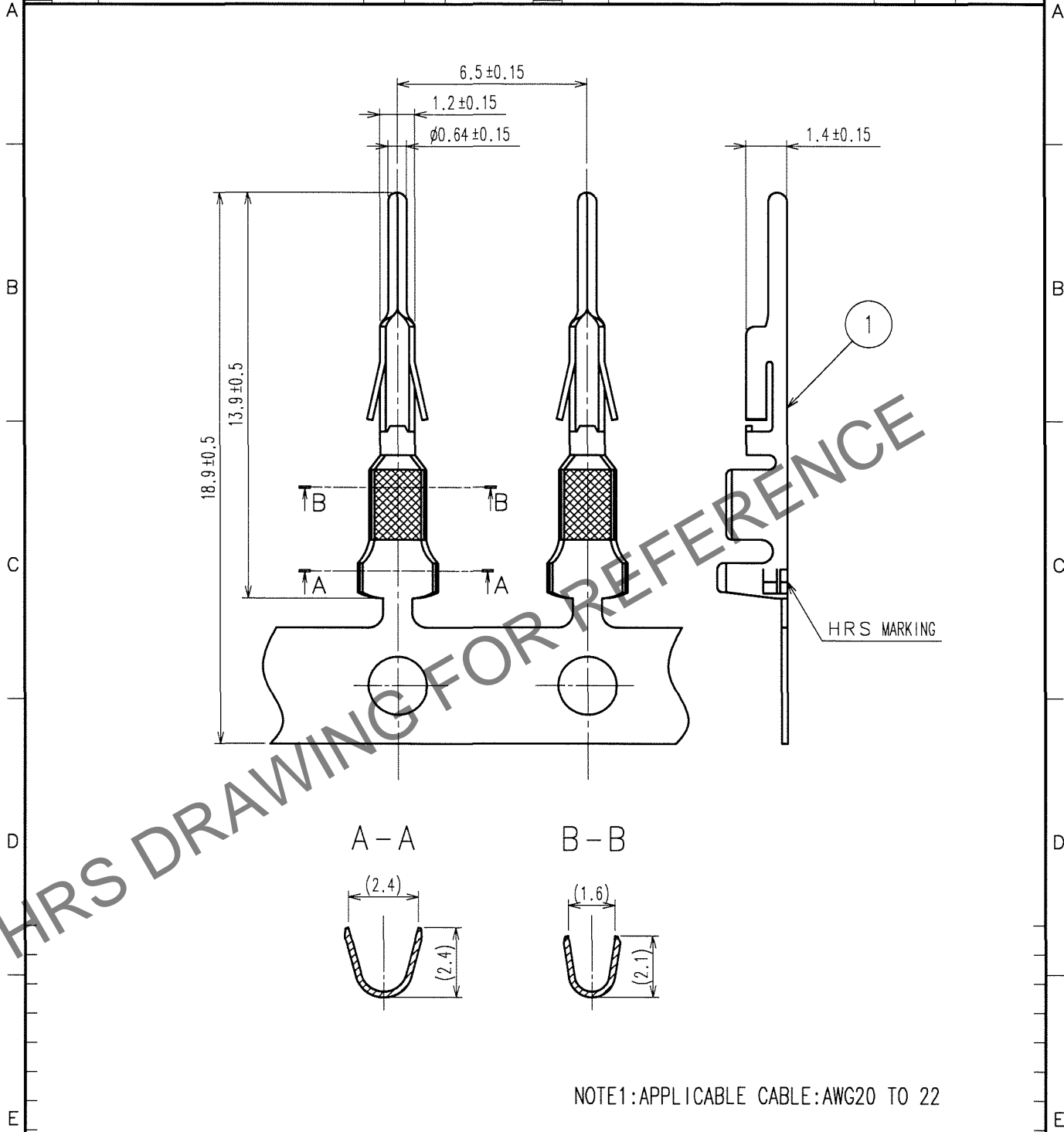


Jul.1.2024 Copyright 2024 HIROSE ELECTRIC CO., LTD. All Rights Reserved.  
 In case of consideration for using Automotive equipment / device which demand high reliability, kindly contact our sales window correspondents.

1			2			3			4		
COUNT	DESCRIPTION OF REVISIONS	BY	CHKD	DATE	COUNT	DESCRIPTION OF REVISIONS	BY	CHKD	DATE		
△				..	△				..		
△				..	△				..		
△				..	△				..		



HRS DRAWING FOR REFERENCE

NOTE1: APPLICABLE CABLE: AWG20 TO 22

NO.	MATERIAL	FINISH, REMARKS	NO.	MATERIAL	FINISH, REMARKS
			1	PHOSPHOR BRONZE	TIN PLATED 1μ m min

CODE NO. (OLD)	DRAWN	DESIGNED	CHECKED	APPROVED	RELEASED
	A.Miura	N. Hirose	T. Umehara	T. Ono	
	'06.04.11	06.04.13	06.04.13	06.04.18	

TO

	DRAWING NO.	PART NO.
	EDC4-020431-01	DF1B-2022PCF
SCALE 5 : 1 UNITS mm	HIROSE ELECTRIC CO., LTD.	CODE NO. CL541-0259-9

