

Fig. 1

1. INTRODUCTION

This instruction sheet (IS) covers the installation of AMP Flexible Metal Conduit Connectors shown in Figure 1. These connectors are designed for use with flexible metal conduit and junction boxes that have been listed by Underwriters' Laboratories (UL).

Read this material thoroughly before starting.

2. DESCRIPTION

The connectors are available for 1/2 in. and 3/8 in. diameter conduit. Each consists of an insulated body and a metal retainer. In addition to holding the conduit and connector in position, the metal retainer provides a ground for the junction.

3. FLEXIBLE METAL CONDUIT PREPARATION

Cut the conduit in the usual manner — there is no special method required. However, as with any other

method of application, care must be taken to prevent deformation of the conduit end. See Figure 2 for suggested cuts.

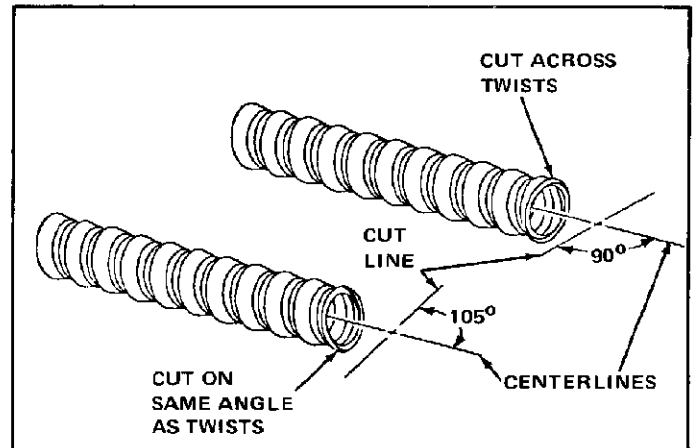


Fig. 2

4. CONNECTOR INSTALLATION

Tools are NOT needed to install the connector.

1. Align the back of the connector with the conduit as shown in Figure 1.
2. Thread the connector onto the conduit until it bottoms (approximately 2 full turns).
3. Remove the slug from the junction box with a suitable tool — do NOT bend or otherwise deform the box. See Figure 3.
4. Align the front of the connector with the hole in the junction box.
5. Push the connector straight in until it bottoms. The retainer lances will grip the box and hold the connector in position. See Figure 3.

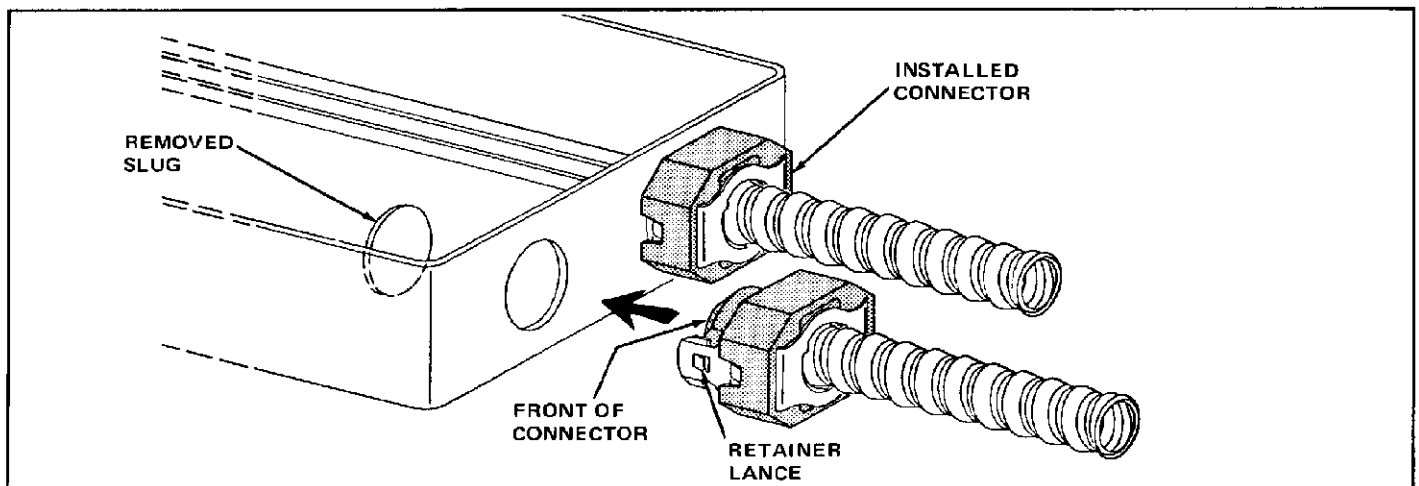


Fig. 3