

E/UK - End bracket

1201442

<https://www.phoenixcontact.com/us/products/1201442>

Please be informed that the data shown in this PDF document is generated from our online catalog. Please find the complete data in the user documentation. Our general terms of use for downloads are valid.

End bracket, Mounting on a DIN rail NS 32 or NS 35, material: PA, color: gray



Your advantages

- Large-surface marking
- With universal foot for NS 35 and NS 32 DIN rails
- Tall and low design

Commercial data

Item number	1201442
Packing unit	50 pc
Minimum order quantity	100 pc
Sales key	BE07
Product key	BE7111
Catalog page	Page 538 (C-3-2019)
GTIN	4017918017323
Weight per piece (including packing)	9.428 g
Weight per piece (excluding packing)	9.1 g
Customs tariff number	39269097
Country of origin	IN

1201442

<https://www.phoenixcontact.com/us/products/1201442>

Technical data

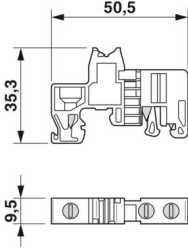
Product properties

Product type	End bracket
Data management status	
Article revision	06

Connection data

Tightening torque	... 0.8 Nm
-------------------	------------

Dimensions

Dimensional drawing	
Width	9.5 mm
Height	50.5 mm
Depth	35.3 mm
Depth on NS 35/7,5	36.8 mm
Length	50.5 mm

Material specifications

Color	gray (RAL 7042)
Material	PA
Flammability rating according to UL 94	V0
Temperature index of insulation material (DIN EN 60216-1 (VDE 0304-21))	125 °C
Relative insulation material temperature index (Elec., UL 746 B)	125 °C

Environmental and real-life conditions

Ambient conditions

Ambient temperature (operation)	-60 °C ... 110 °C (Operating temperature range incl. self-heating; for max. short-term operating temperature, see RTI Elec.)
Ambient temperature (storage/transport)	-25 °C ... 60 °C (for a short time, no longer than 24 h, -60°C to +70°C)
Ambient temperature (assembly)	-5 °C ... 70 °C
Ambient temperature (actuation)	-5 °C ... 70 °C
Permissible humidity (operation)	20 % ... 90 %
Permissible humidity (storage/transport)	30 % ... 70 %

E/UK - End bracket



1201442

<https://www.phoenixcontact.com/us/products/1201442>

Mounting

Mounting type	NS 35/7,5
	NS 35/15
	NS 32

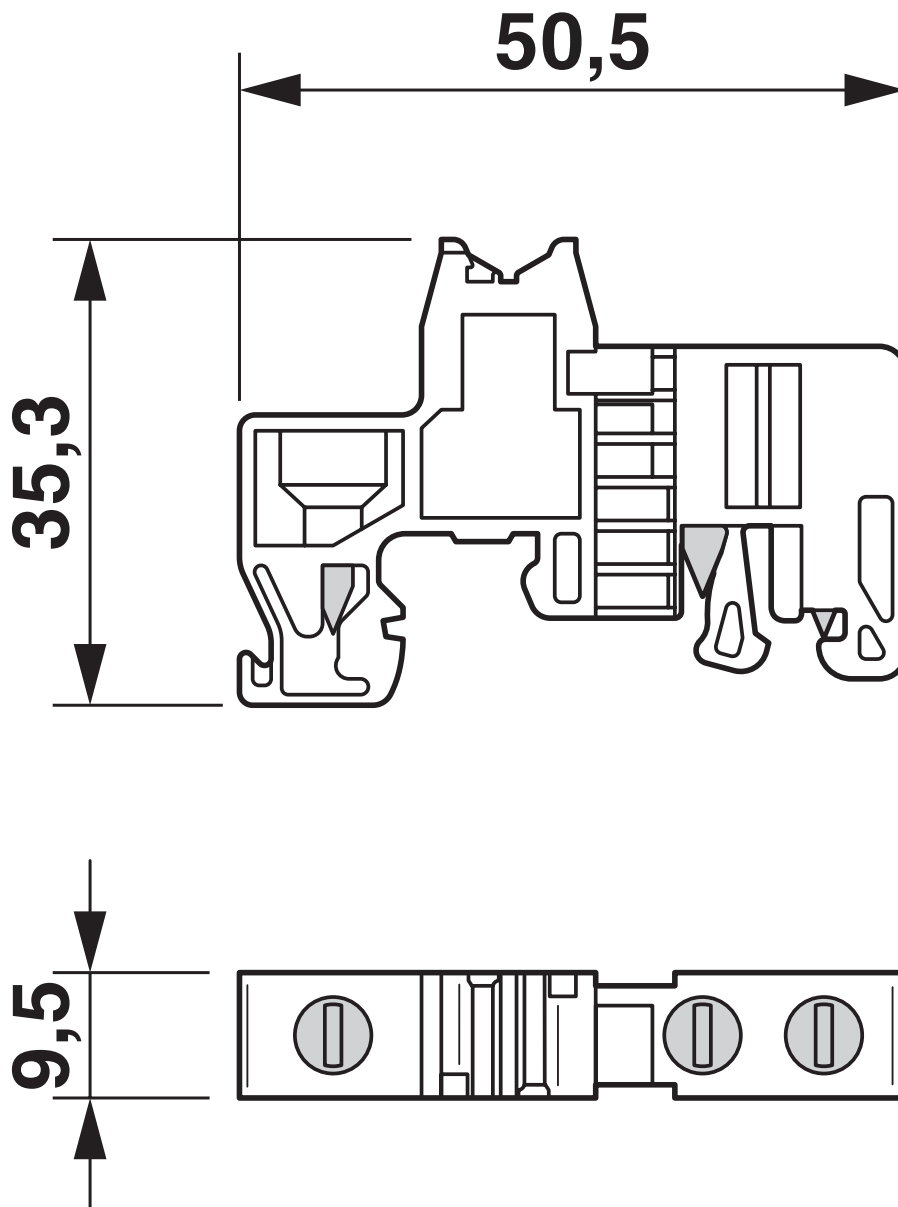
E/UK - End bracket

1201442

<https://www.phoenixcontact.com/us/products/1201442>

Drawings

Dimensional drawing



E/UK - End bracket



1201442

<https://www.phoenixcontact.com/us/products/1201442>

Classifications

ECLASS

ECLASS-11.0	27141135
ECLASS-12.0	27141135
ECLASS-13.0	27250302

ETIM

ETIM 9.0	EC001041
----------	----------

UNSPSC

UNSPSC 21.0	39121400
-------------	----------

E/UK - End bracket



1201442

<https://www.phoenixcontact.com/us/products/1201442>

Environmental product compliance

EU RoHS

Fulfills EU RoHS substance requirements	Yes, No exemptions
---	--------------------

China RoHS

Environment friendly use period (EFUP)	EFUP-E
	No hazardous substances above the limits

EU REACH SVHC

REACH candidate substance (CAS No.)	No substance above 0.1 wt%
-------------------------------------	----------------------------

Phoenix Contact 2024 © - all rights reserved

<https://www.phoenixcontact.com>

Phoenix Contact USA
586 Fulling Mill Road
Middletown, PA 17057, United States
(+717) 944-1300
info@phoenixcon.com