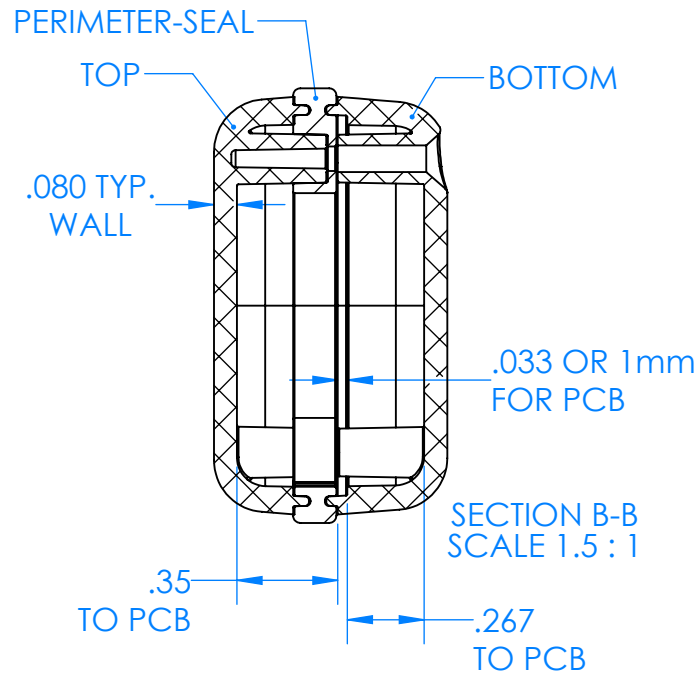
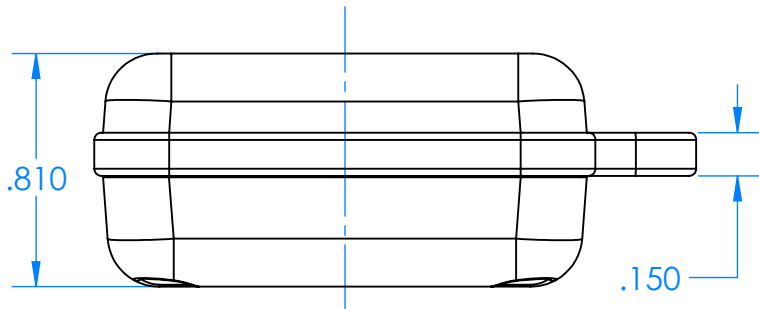
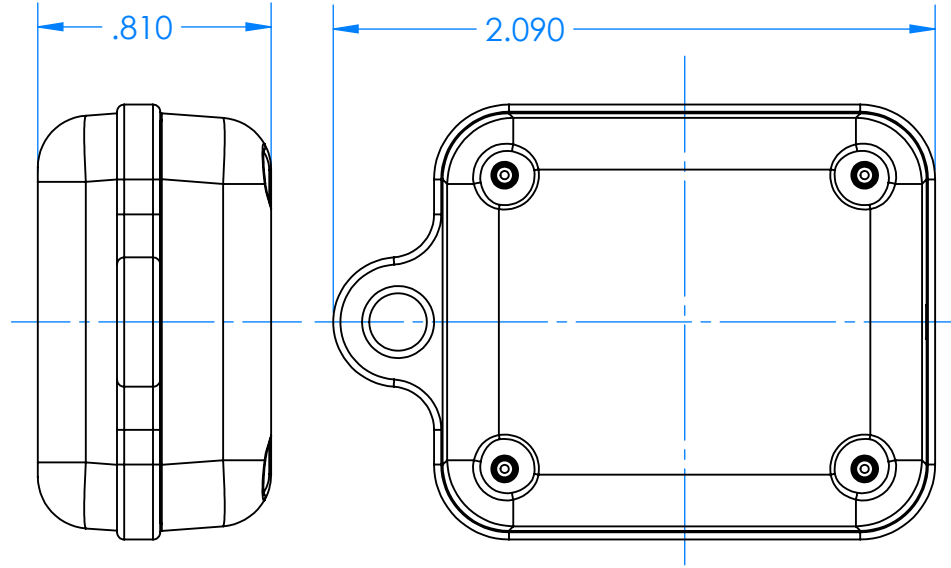
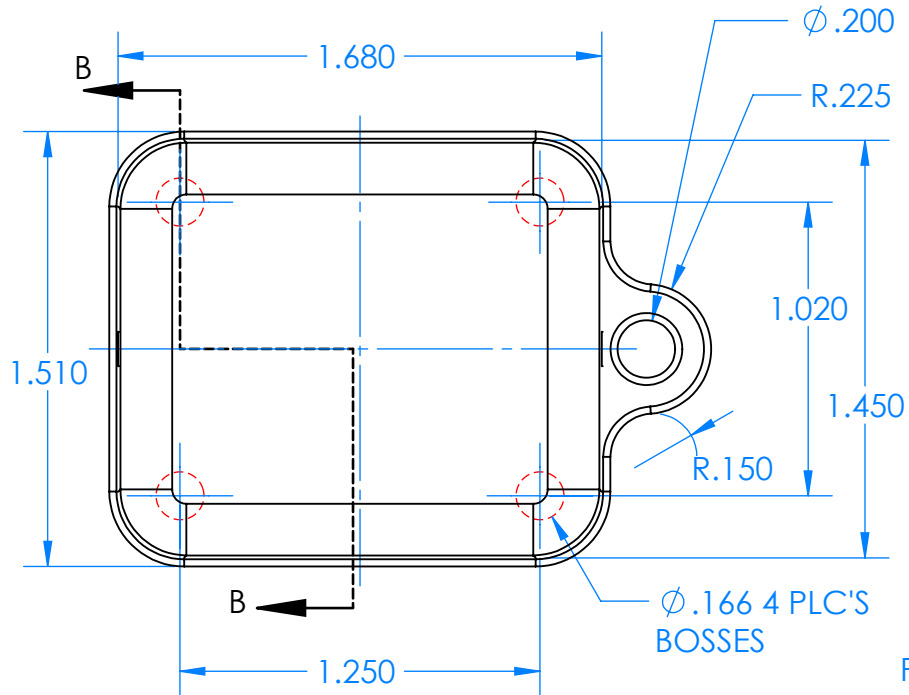


SERPAC CXL27AYYAZZ

Electronic Enclosures



Color options:
YY (Enclosure Color)
BK=Black

ZZ (Seal Color)
BK=Black
GM=GunMetal
YL=Yellow
OR=Orange
NO=NeonOrange
NG=NeonGreen
BL=Blue

PN	Description
5512A,YY	(1) BW 2B Top,YY
5515A,YY	(1) BW 2C Bottom,YY
5522A,ZZ	(1) CXL2 Perimeter Seal, ZZ
6008	(4) #2 X 9/16" PH HD screw

-Material: UV stabilized Polycarbonate
Flammability UL 94 V-0
-Watertight enclosure meets or
exceed Nema 4 and or IP67.

SERPAC CXL27AYYAZZ Electronic Enclosures CIRCUIT BOARD

