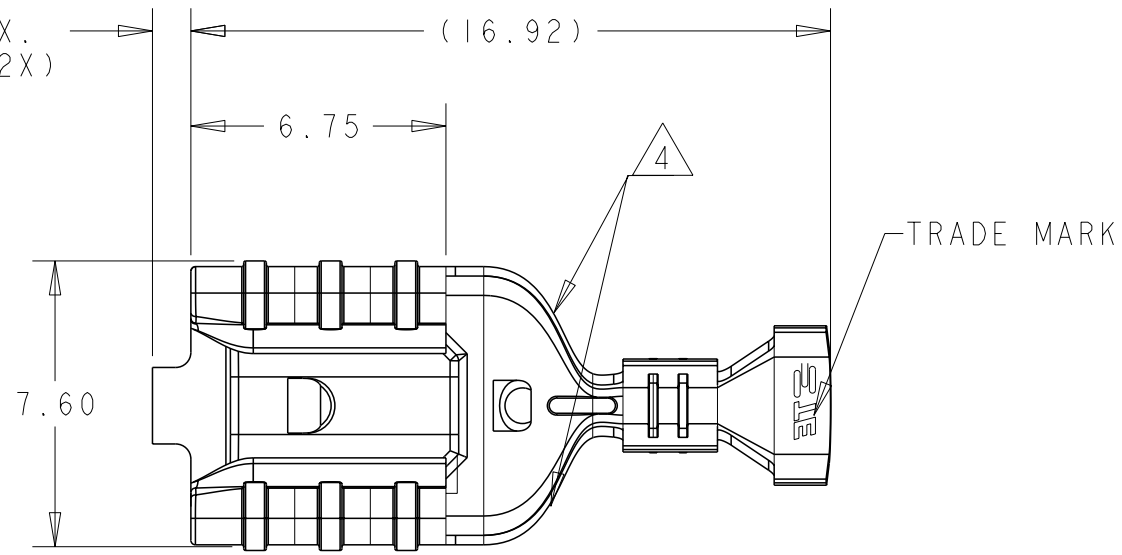


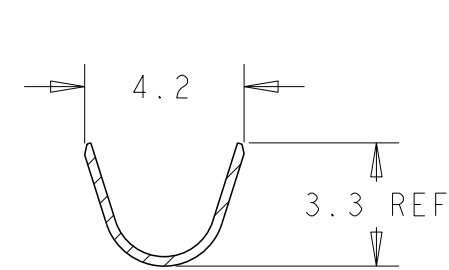
REVISIONS

P	LTR	DESCRIPTION	DATE	DWN	APVD
	A	INITIAL RELEASE	19MAY2021	DL	EW
	A1	REVISED PER ECR-21-107283	15JUL2021	SS	EW
	A2	REVISED PER ECR-24-201686	06MAR2024	GK	EW

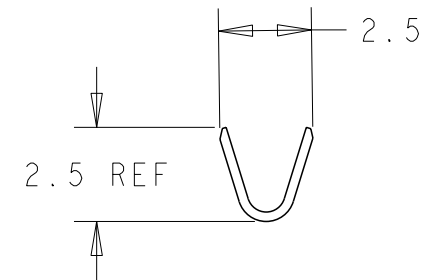
0.50MAX.  
CUTTING TAB(2X)



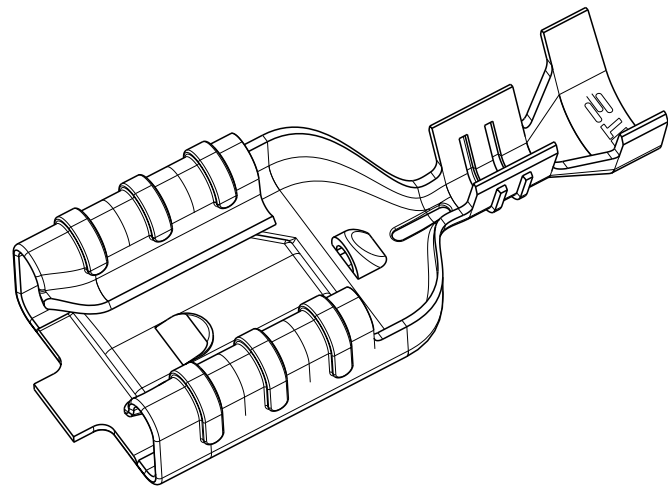
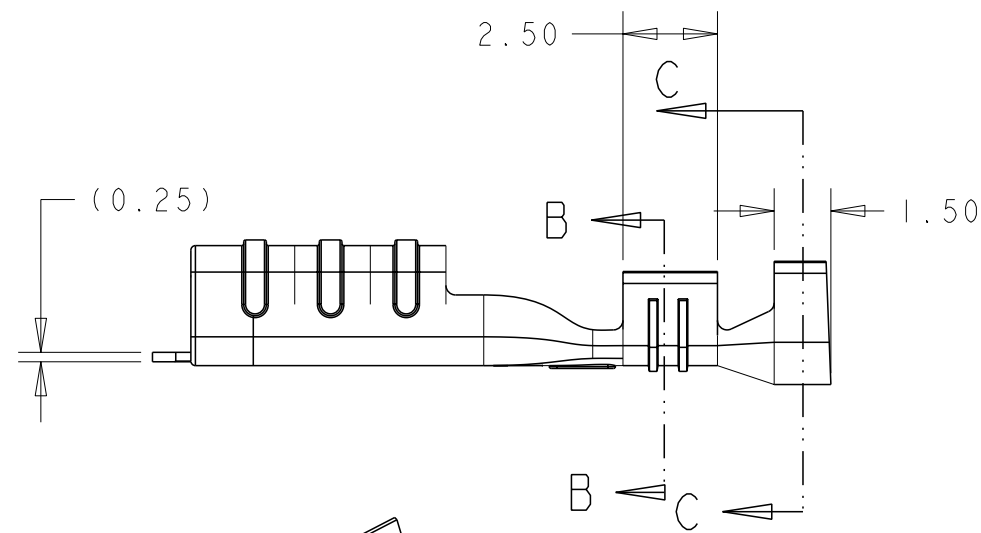
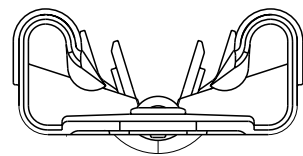
- 1 WIRE RANGE, AWG 22-18, INSULATION RANGE: 1.6-2.5mm<sup>2</sup>
- 2 CONTINUOUS STRP ON REEL
- 3 MATING TAB THICKNESS: 0.80MM
- △ 4 DIE MARK HERE FOR SPECIFICA STRIP
- 5. HANDLING REEL PRODUCT REFER TO 408-9816



SECTION C-C



SECTION B-B



/	BRASS	2366406-2
PRE-TIN	BRASS	2366406-1
FINISH	MATERIAL	PART NUMBER

THIS DRAWING IS A CONTROLLED DOCUMENT.

DIMENSIONS:	TOLERANCES UNLESS OTHERWISE SPECIFIED:
mm	
	0 PLC ±-
	1 PLC ±0.30
	2 PLC ±0.30
	3 PLC ±0.25
	4 PLC ±-
	ANGLES ±3°

MATERIAL  
SEE TABLE

FINISH  
SEE TABLE

DWN	24AUG2020
BASAVARAJA D A	
CHK	24AUG2020
DAISY LI	
APVD	24AUG2020
WANG ERIC	
PRODUCT SPEC	108-106542
APPLICATION SPEC	114-106546
WEIGHT	-

		NAME	
		250 FASTON RECEPTACLE	
SIZE	CAGE CODE	DRAWING NO	RESTRICTED TO
A3	00779	C-2366406	-

CUSTOMER DRAWING	SCALE	5:1	SHEET	1 OF 1	REV	A2
------------------	-------	-----	-------	--------	-----	----

printed on 11 Mar 2024 10:56 (India Standard Time) from TE537748