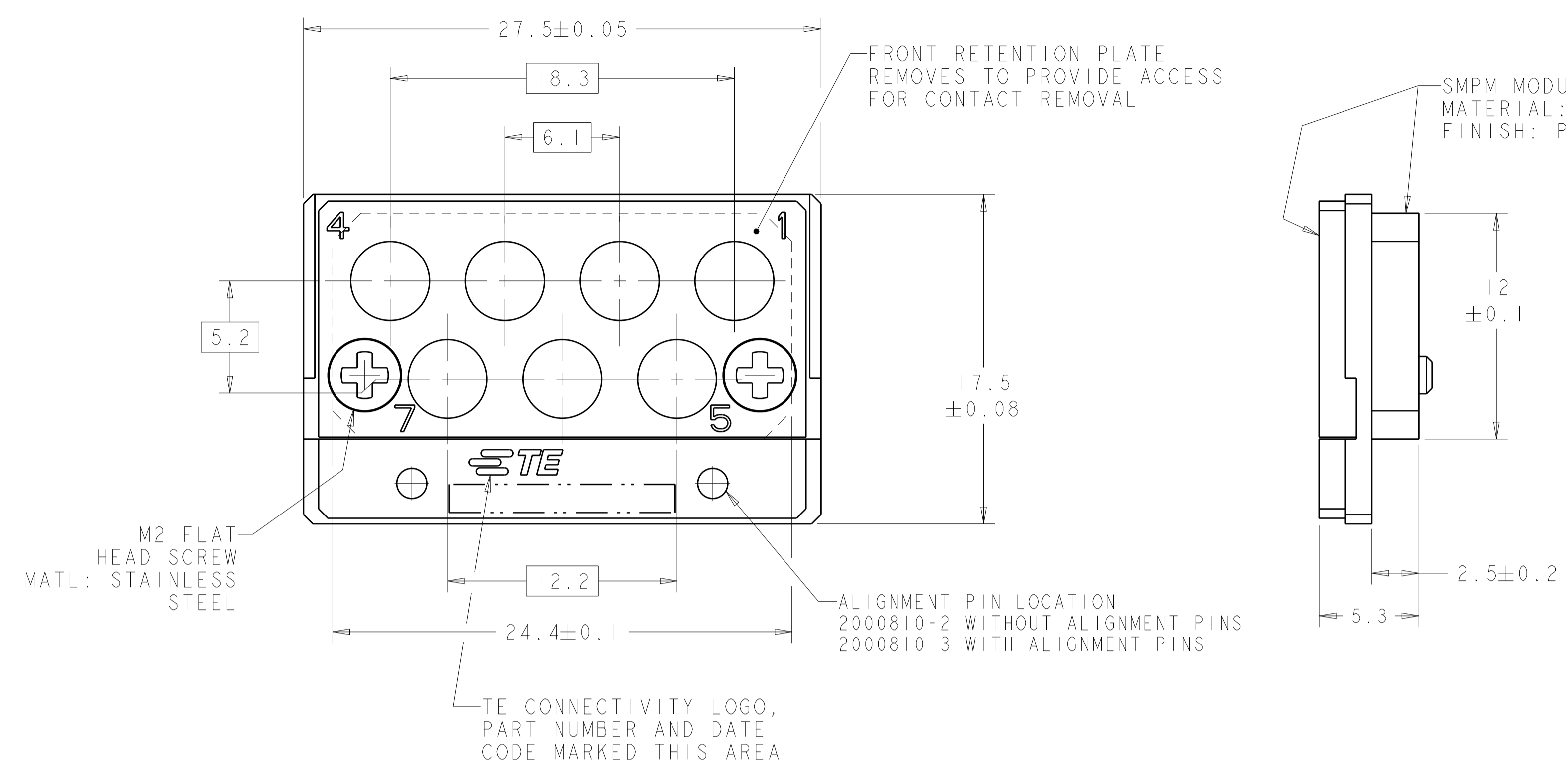
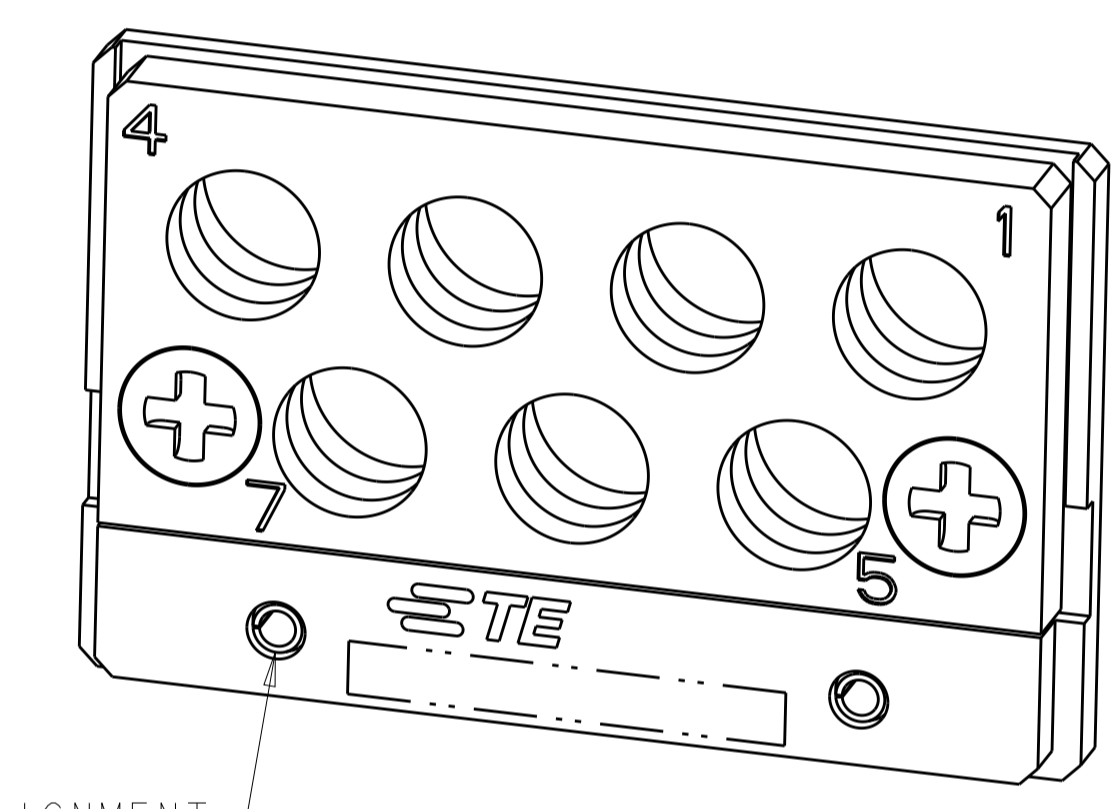


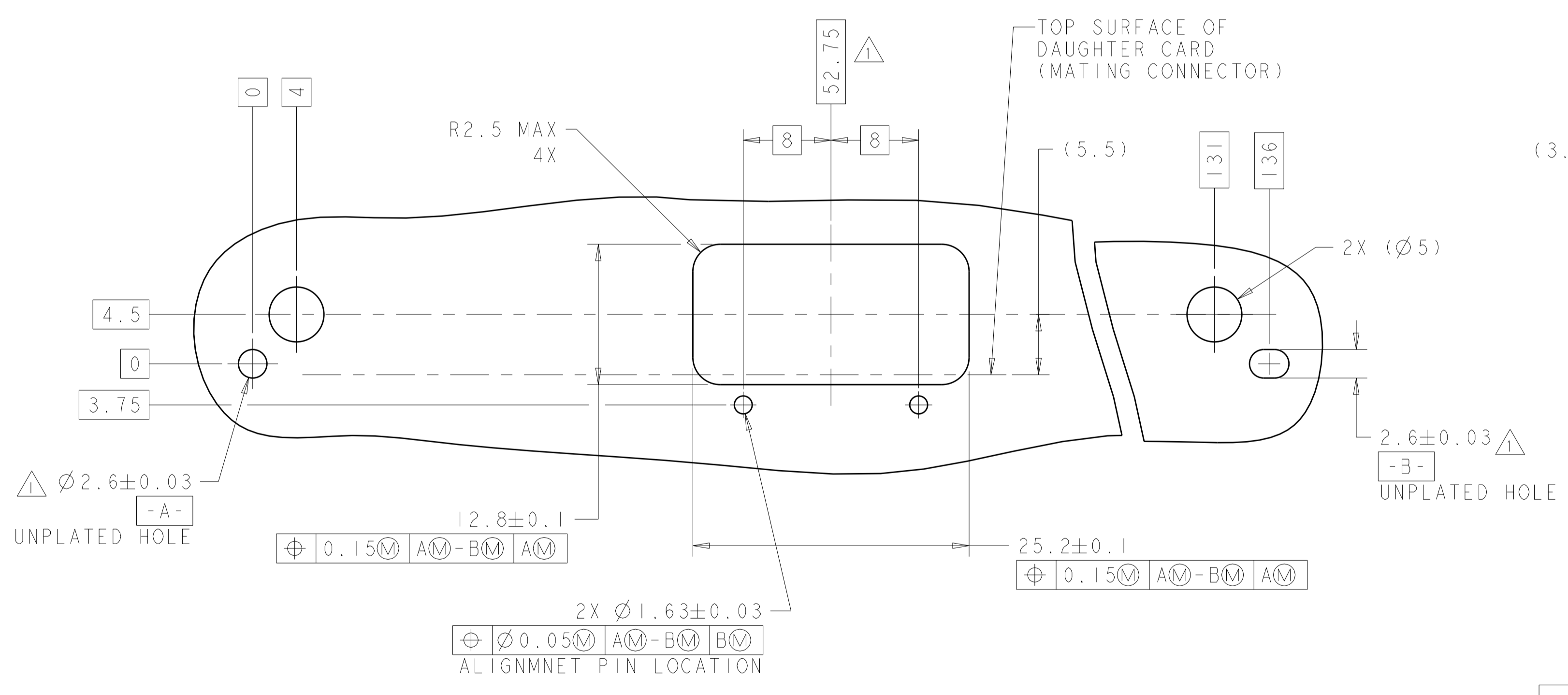
REVISIONS				
P.	LTM	DESCRIPTION	DATE	OWN APVD
B		REV PER ECO 19-005301	4-4-19	CT PR



- 1 THE 2.60 FEATURES, [-A-] AND [-B-] ARE TYPICAL HSR FAMILY LOCATING FEATURES. IN OTHER APPLICATIONS OF THIS MODULE A DIFFERENT FEATURE MAY BE USED FOR ESTABLISHING CORRECT LOCATION. THE [52.75] DIMENSION MAY BE REPLACED WITH OTHER VALUES FOR LOCATING THIS MODULE IN DIFFERENT POCKETS OF VARIOUS HSR CONFIGURATIONS.
- 2 CONSULT WITH TE CONNECTIVITY DEVELOPMENT ENGINEERING FOR MOUNTING DETAILS AND P.C. BOARD CUTOUT DETAILS FOR 2000810-6.
- 3. MODULE SHIPPED AS SHOWN. TWO SCREWS TO BE TORQUED TO 2.0 INCH-LBS.



ALIGNMENT PINS
 2000810-3
 WITH ALIGNMENT PINS
 TO PCB



TYPICAL 4 BAY HSR
 P C BOARD CUTOUT
 FOR -2 THRU -5 ONLY
 SCALE 2:1

REMOVE FRONT RETENTION PLATE	AS SHOWN ON SHT 2, WITH FORWARD FACING ALIGNMENT PINS	7	2000810-6
PRELIMINARY	REMOVE REAR MODULE	7	2000810-5
PRELIMINARY	AS SHOWN ON SHT 2, WITHOUT ALIGNMENT PINS	7	2000810-4
PRELIMINARY	REMOVE FRONT RETENTION PLATE	7	2000810-3
	AS SHOWN ON SHT 1, WITHOUT ALIGNMENT PINS	7	2000810-2
CONTACT REMOVAL TYPE	DESCRIPTION	POSITIONS	PART NUMBER

THIS DRAWING IS A CONTROLLED DOCUMENT. DWN: Brent D. Yohn 29 JUL 2008
 CHK: Chong Yi 07 FEB 2013
 APVD: Chong Yi 12 MAR 2013

STE TE Connectivity

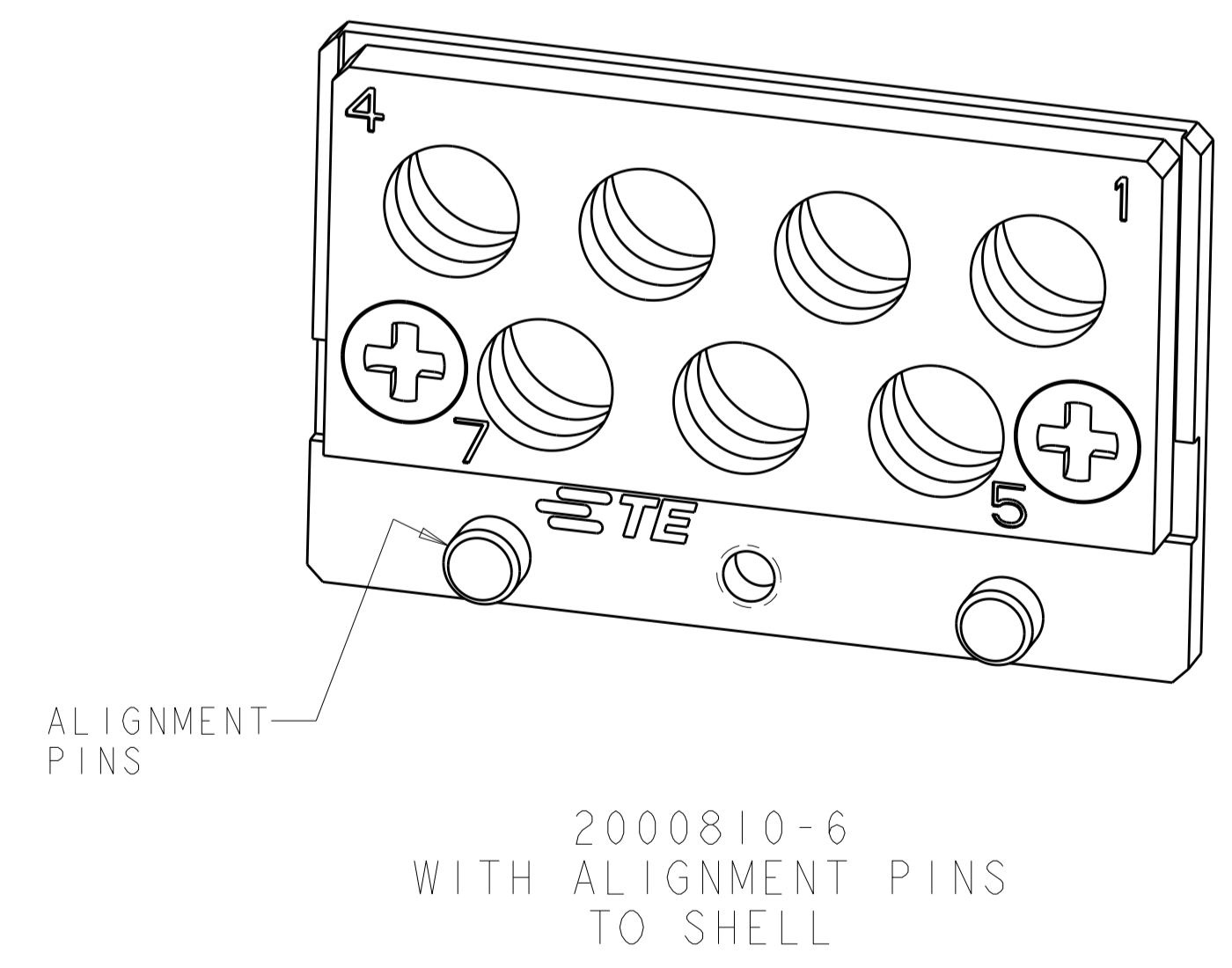
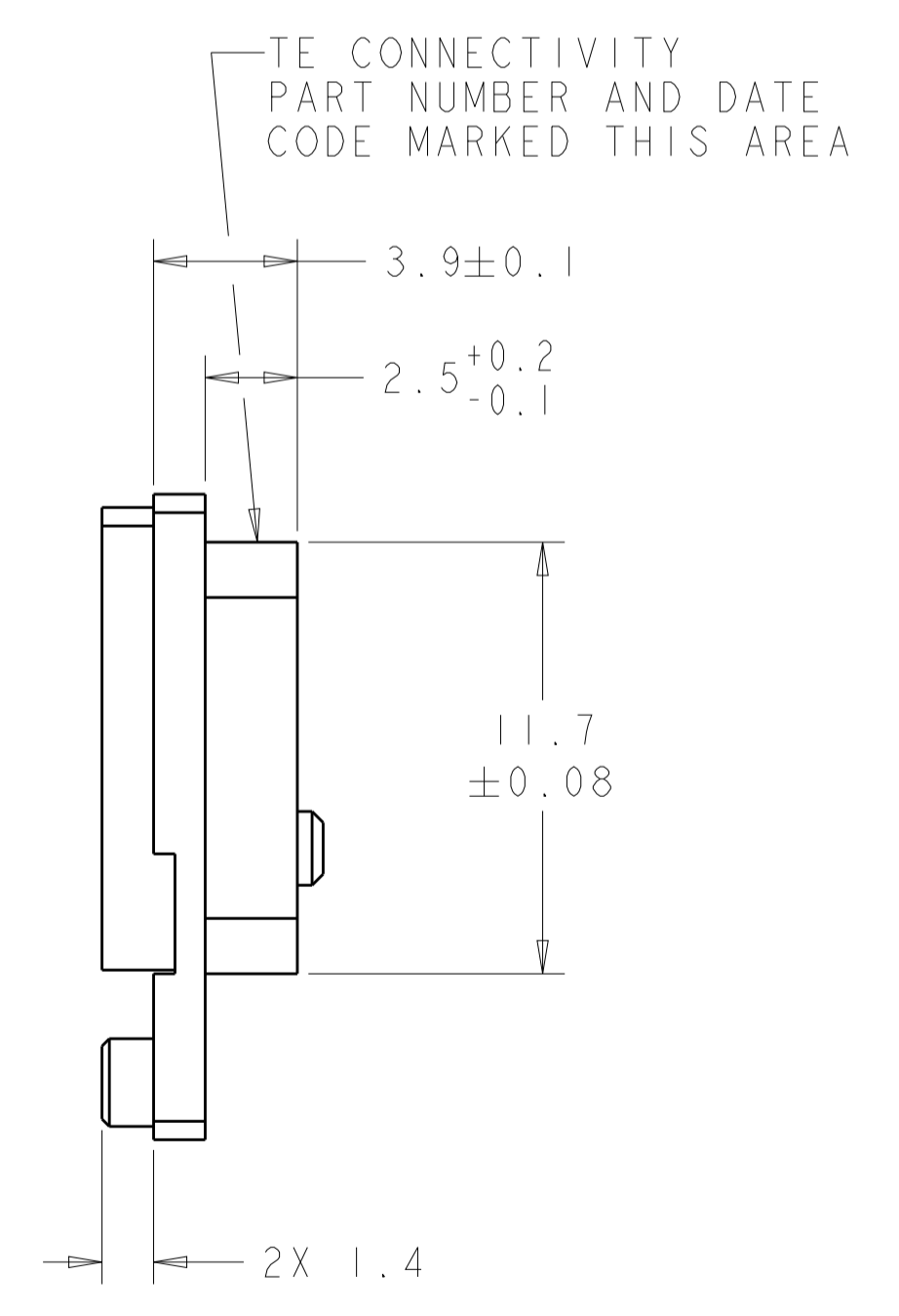
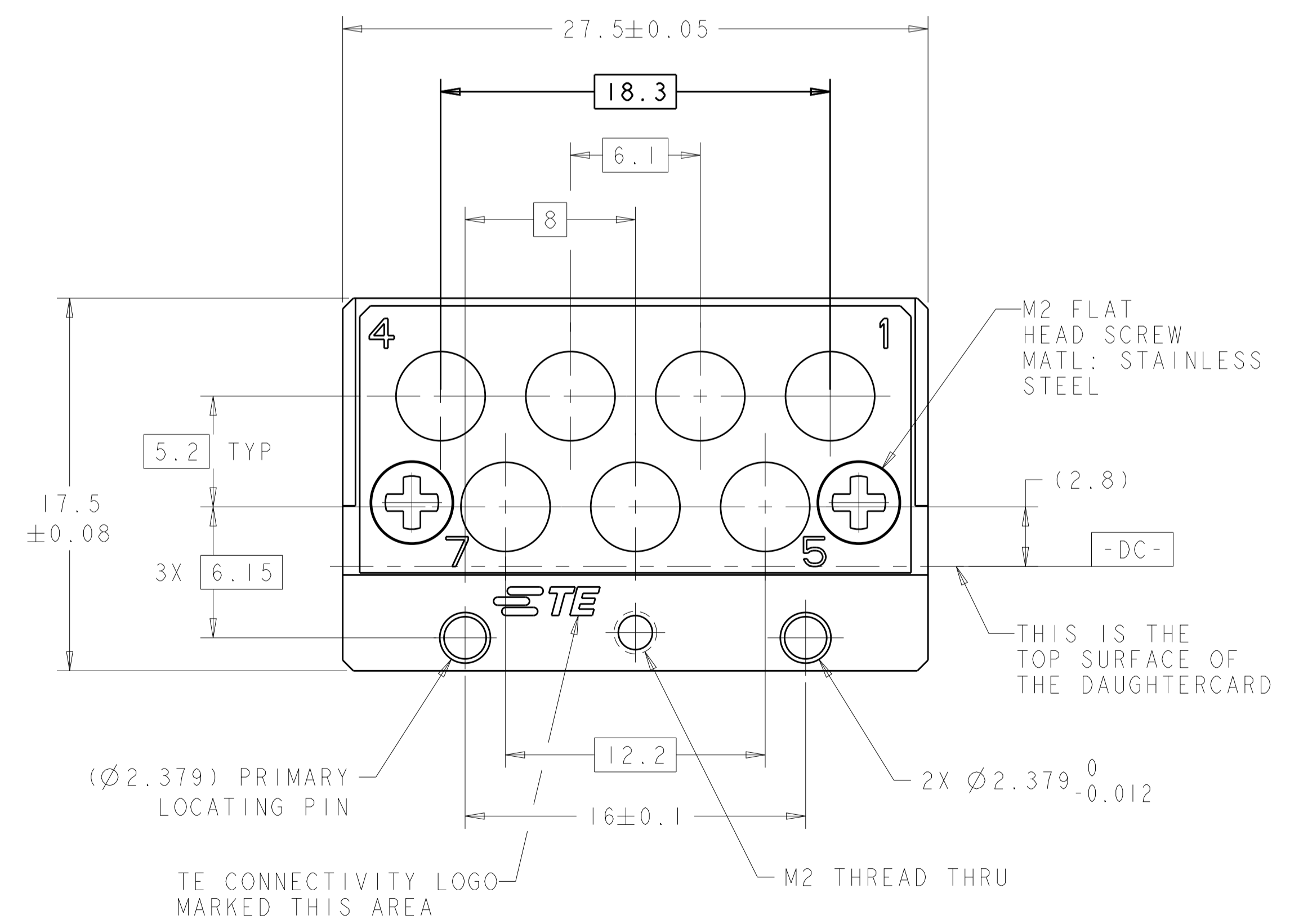
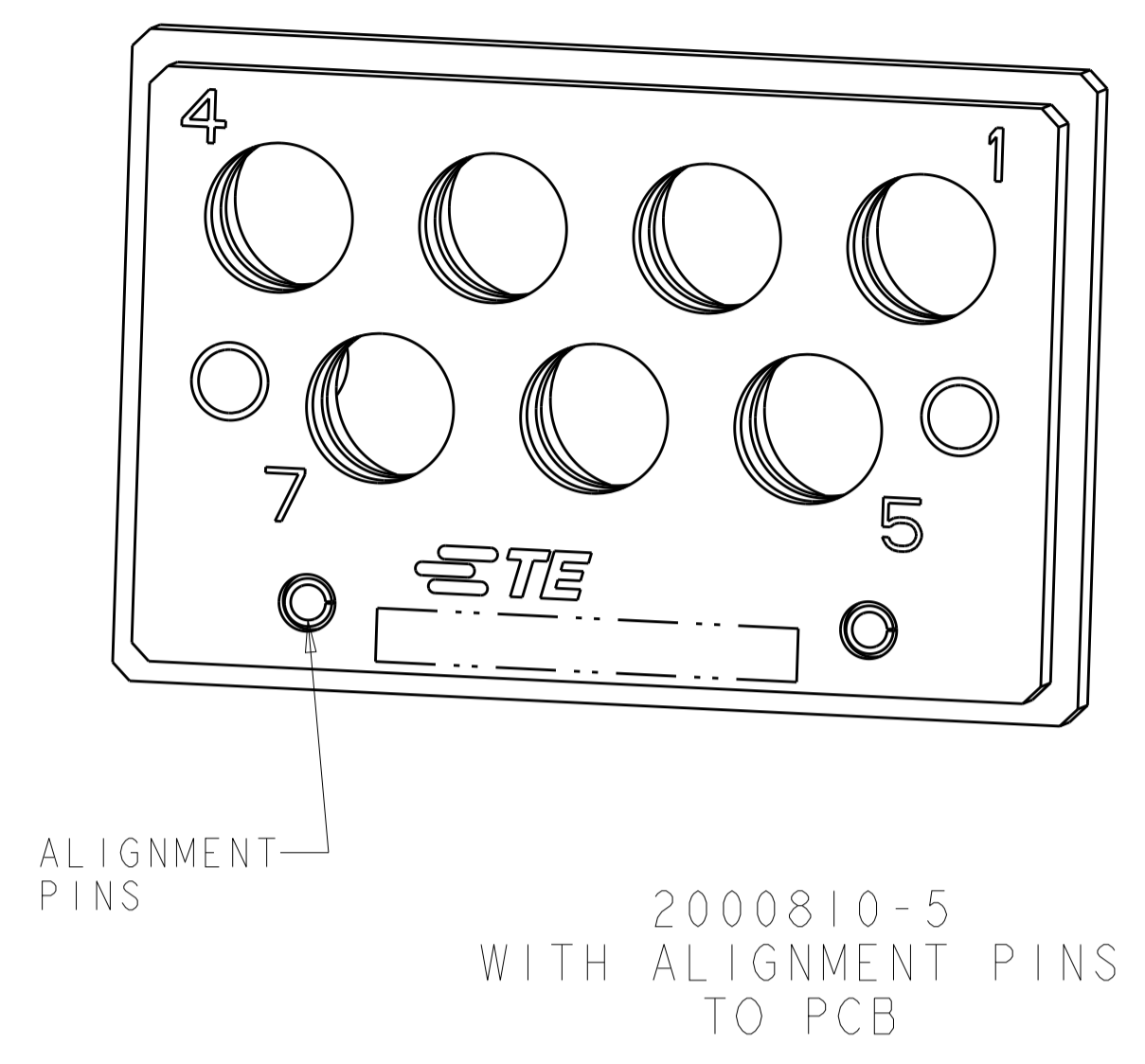
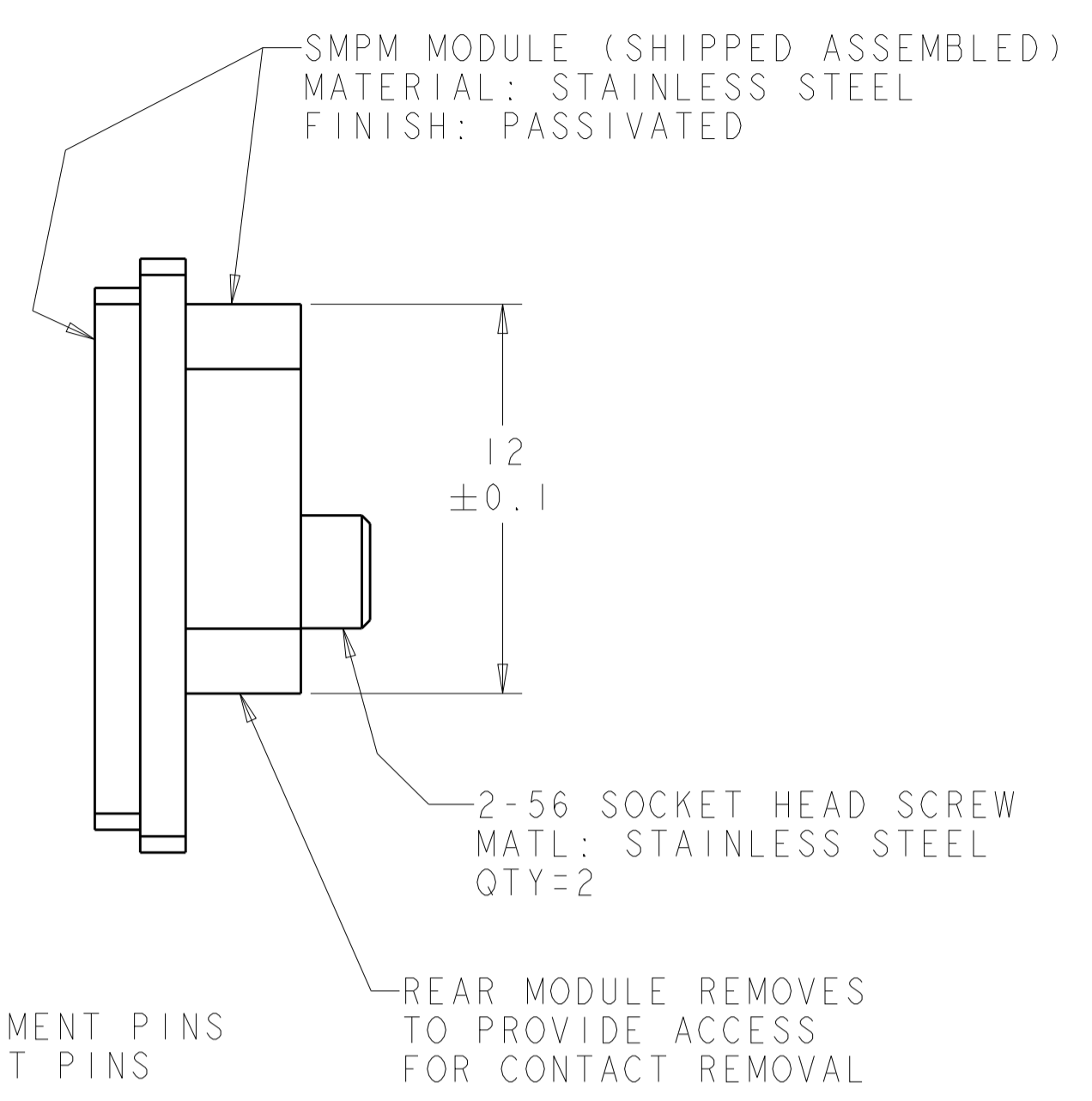
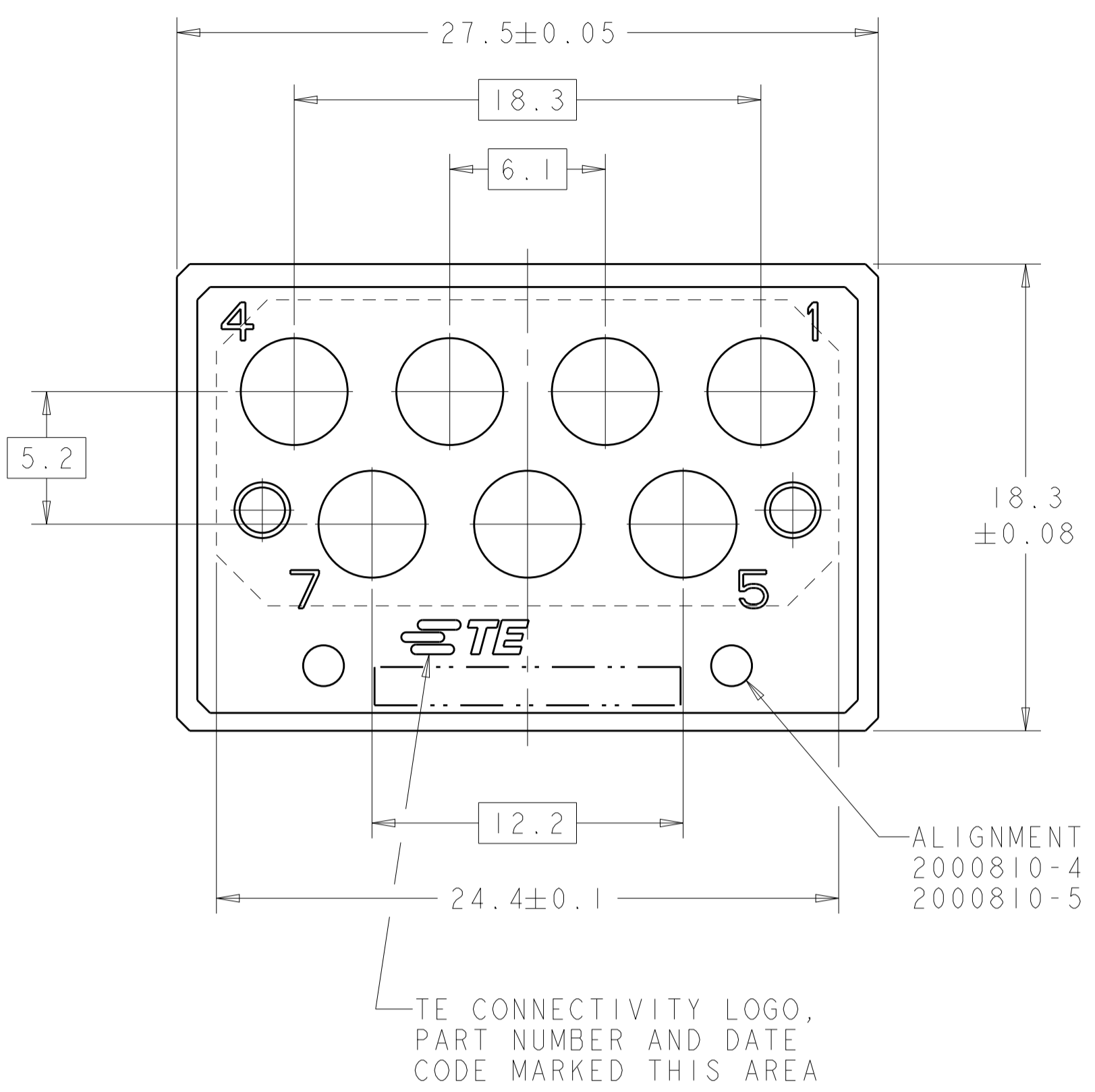
NAME: MODULE, COAX, 7 POSN. RECEPTACLE, MOTHERBOARD, HSR, UNSEALED, STANDARDIZED 4 BAY

SIZE: A1 CAGE CODE: 2000810 DRAWING NO: 100779 ©=2000810

MATERIAL: STAINLESS STEEL PER ASTM-A-582 FINISH: PASSIVATED PER AMS 2700B WEIGHT: CUSTOMER DRAWING

SCALE: 2:1 SHEET 1 OF 2 REV B

REVISIONS				
P.	LTN	DESCRIPTION	DATE	APVD
-	-	SEE SHEET 1	-	-



2000810-6 WITH ALIGNMENT PINS

THIS DRAWING IS A CONTROLLED DOCUMENT.		OWN: 29 JUL 2008 Brent D. Yohm	TE Connectivity
DIMENSIONS: mm		CHK: 07 FEB 2013 Chong Yi	
TOLERANCES UNLESS OTHERWISE SPECIFIED:		APVD: 12 MAR 2013 Chong Yi	NAME: MODULE, COAX, 7 POSN. RECEPTACLE, MOTHERBOARD, HSR, UNSEALED, STANDARDIZED 4 BAY
0 PLC ±	1 PLC ±0.1	PRODUCT SPEC	SIZE: CAGE CODE DRAWING NO. RESTRICTED TO
2 PLC ±0.05	3 PLC ±	APPLICATION SPEC	A100779C=2000810
4 PLC ±	ANGLES ±	WEIGHT	SCALE: 2:1 SHEET 2 OF 2 REV B
MATERIAL: STAINLESS STEEL PER ASTM-A-582	FINISH: PASSIVATED PER AMS 2700B	CUSTOMER DRAWING	