

**Pb** THIS PRODUCT MANUFACTURED WITH LEAD-FREE PROCESSING

DESIGNED & DIMENSIONED IN MILLIMETERS [INCHES]

MMCX-J-P-X-ST-SM1-X-XX

GENDER  
-J: JACK

TYPE  
-P: PCB

PLATING SPECIFICATION  
-H: 30μ" GOLD CENTER CONTACT,  
3μ" GOLD OUTER CONTACT  
(SEE TABLE 1)

PACKAGING  
BLANK: TRAY (SEE NOTES 4 & 6 )  
-TR: TAPE & REEL (SEE NOTES 6 & 7 )  
-FR: FULL REEL QTY TAPE & REEL  
(SEE NOTES 6 & 7)

PICK & PLACE OPTION  
-K: KAPTON  
USE K-DOT-157-.250-.005  
(SEE SHEET 2)

TERMINATION  
-SM1: SURFACE MOUNT

ORIENTATION  
-ST: STRAIGHT

DO NOT SCALE FROM THIS PRINT

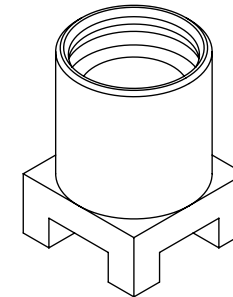
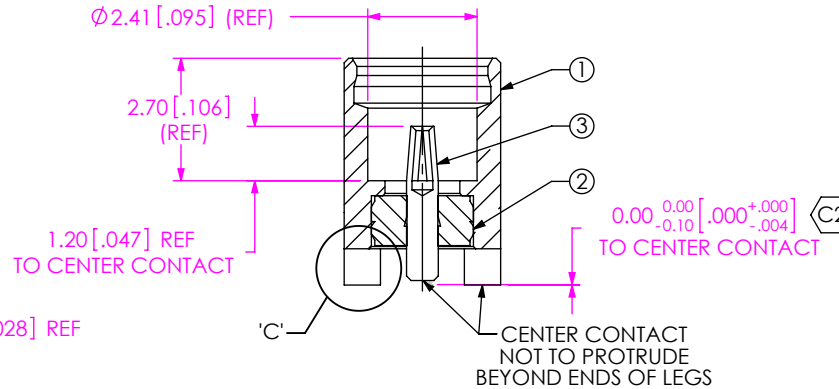
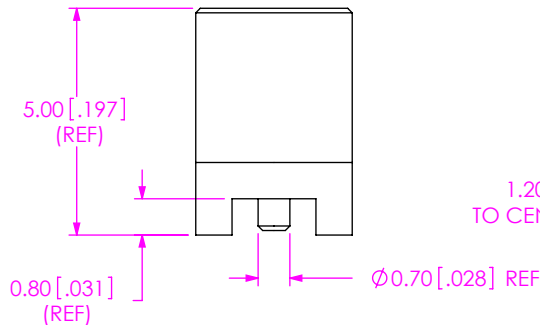
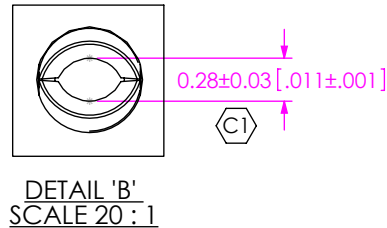
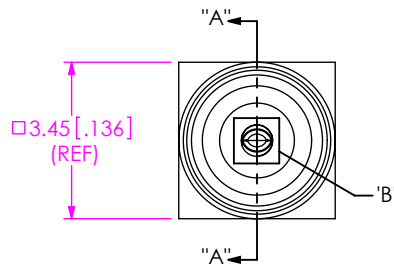
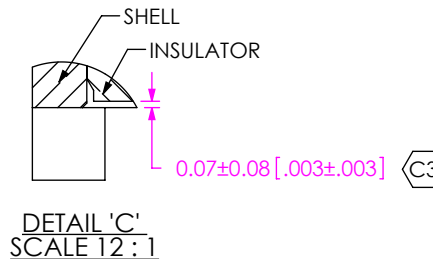
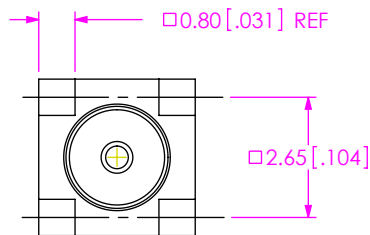


FIG 1  
MMCX-J-P-X-ST-SM1 SHOWN



RECOMMENDED PCB LAYOUT

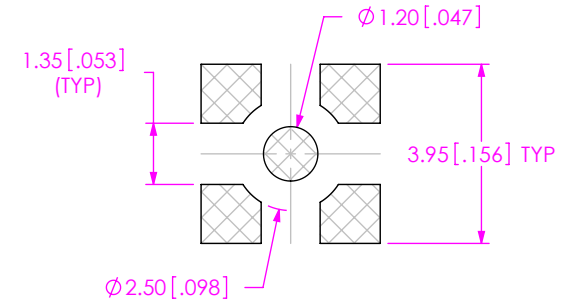


TABLE 1		
ITEM	COMPONENT	-H
1	SHELL	MMCX-J-P-F-ST-SM1-SHL
2	INSULATOR	MMCX-J-P-ST-SM1-INS
3	SOCKET	MMCX-J-P-H-ST-SM1-SKT

NOTES:

- ⊕ REPRESENTS A CRITICAL DIMENSION.
- PUSHOUT FORCE FOR INSULATOR: 22.24 N [5 LB] MIN.
- PUSHOUT FORCE FOR CENTER CONTACT: 5.34 N [1.2 LB] MIN. (MATING DIRECTION ONLY)
- SEE PACKAGING MANUAL FOR PACKAGING INSTRUCTIONS, USE SAMTEC TRAY TY-SMA001-1 AND TY-SMA001-2.
- ORDERS WILL BE PACKAGED ACCORDING TO THE SAMTEC PACKAGING EFFICIENCY STANDARDS (SPES) FOUND ON WWW.SAMTEC.COM.
- ATTACH LABEL TO EACH REEL.

UNLESS OTHERWISE SPECIFIED, DIMENSIONS ARE IN MILLIMETERS [INCHES]. TOLERANCES ARE:  
DECIMALS ANGLES  
.X: ±0.3 [0.01] 5°  
.XX: ±0.13 [0.005]  
.XXX: ±0.051 [0.0020]

PROPRIETARY NOTE  
THIS DOCUMENT CONTAINS CONFIDENTIAL AND PROPRIETARY INFORMATION AND ALL DESIGN, MANUFACTURING, REPRODUCTION, USE, PATENT RIGHTS AND SALES RIGHTS ARE EXPRESSLY RESERVED BY SAMTEC, INC. THIS DOCUMENT SHALL NOT BE DISCLOSED, IN WHOLE OR PART, TO ANY UNAUTHORIZED PERSON OR ENTITY NOR REPRODUCED, TRANSFERRED OR INCORPORATED IN ANY OTHER PROJECT IN ANY MANNER WITHOUT THE EXPRESS WRITTEN CONSENT OF SAMTEC, INC.

MATERIAL: DO NOT SCALE DRAWING SHEET SCALE: 6:1

SHELL, RING: BRASS  
SOCKET: COPPER ALLOY  
DIELECTRIC: PTFE

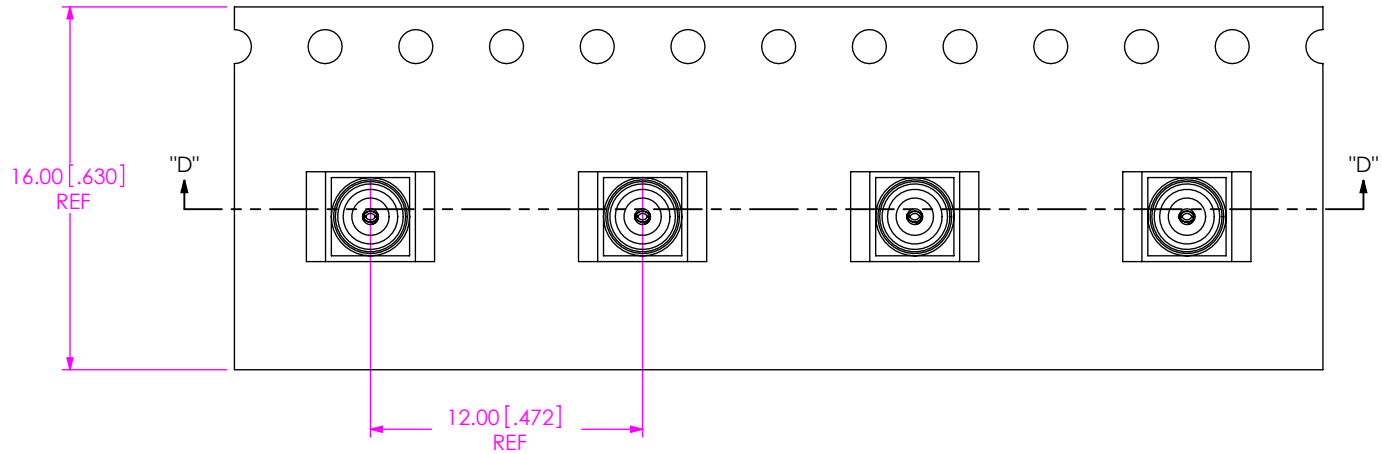
**samtec**

520 PARK EAST BLVD, NEW ALBANY, IN 47150  
PHONE: 812-944-6733 FAX: 812-948-5047  
e-Mail: info@SAMTEC.com code: 55322

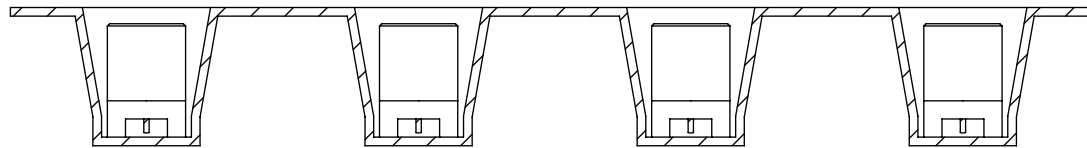
DESCRIPTION:  
MMCX STRAIGHT, SMT JACK- 50 OHM

DWG. NO.  
MMCX-J-P-X-ST-SM1-X-XX

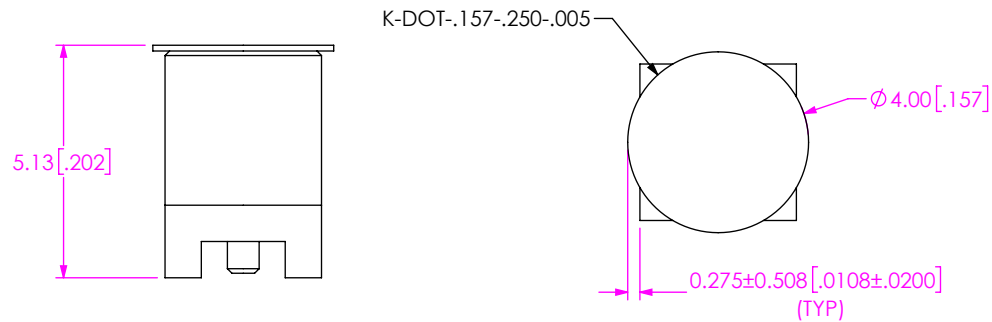
BY: R MUSSER 11/30/2007 SHEET 1 OF 2



USER DIRECTION OF UN-REELING →  
POCKET NOT DETAILED



PACKAGING VIEW  
SECTION "D"- "D"  
SCALE 3 : 1



-K OPTION

**PROPRIETARY NOTE**  
THIS DOCUMENT CONTAINS CONFIDENTIAL AND PROPRIETARY INFORMATION AND ALL DESIGN, MANUFACTURING, REPRODUCTION, USE, PATENT RIGHTS AND SALES RIGHTS ARE EXPRESSLY RESERVED BY SAMTEC, INC. THIS DOCUMENT SHALL NOT BE DISCLOSED, IN WHOLE OR PART, TO ANY UNAUTHORIZED PERSON OR ENTITY NOR REPRODUCED, TRANSFERRED OR INCORPORATED IN ANY OTHER PROJECT IN ANY MANNER WITHOUT THE EXPRESS WRITTEN CONSENT OF SAMTEC, INC.

DO NOT SCALE DRAWING

SHEET SCALE: 6:1



520 PARK EAST BLVD, NEW ALBANY, IN 47150  
PHONE: 812-944-6733 FAX: 812-948-5047  
e-Mail: info@SAMTEC.com code: 55322

DESCRIPTION:  
MMCX STRAIGHT, SMT JACK- 50 OHM

DWG. NO.  
MMCX-J-P-X-ST-SM1-X-XX

BY: R MUSSER 11/30/2007 SHEET 2 OF 2