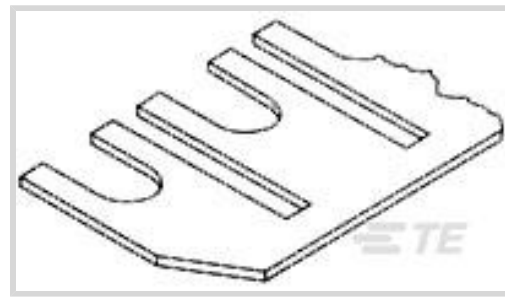




Connectors > Terminal Blocks & Strips > Barrier Strips



Centerline (Pitch): 11.1 mm [.438 in]

Features

Housing Features

Centerline (Pitch)	11.1 mm [.438 in]
--------------------	-------------------

Dimensions

Product Length	11.12 mm
----------------	----------

Packaging Features

Packaging Quantity	5000
Packaging Method	Package

Product Compliance

[For compliance documentation, visit the product page on TE.com>](#)

EU RoHS Directive 2011/65/EU	Compliant
EU ELV Directive 2000/53/EC	Compliant
China RoHS 2 Directive MIIT Order No 32, 2016	No Restricted Materials Above Threshold
EU REACH Regulation (EC) No. 1907/2006	Current ECHA Candidate List: JUNE 2024 (241) Candidate List Declared Against: JUNE 2024 (241) Does not contain REACH SVHC
Halogen Content	Low Halogen - Br, Cl, F, I < 900 ppm per homogenous material. Also BFR/CFR/PVC Free
Solder Process Capability	Wave solder capable to 265°C

Product Compliance Disclaimer

This information is provided based on reasonable inquiry of our suppliers and represents our current actual knowledge based on the information they provided. This information is subject to change. The part numbers that TE has identified as EU RoHS compliant have a maximum concentration of 0.1% by weight in homogenous materials for lead, hexavalent

chromium, mercury, PBB, PBDE, DBP, BBP, DEHP, DIBP, and 0.01% for cadmium, or qualify for an exemption to these limits as defined in the Annexes of Directive 2011/65/EU (RoHS2). Finished electrical and electronic equipment products will be CE marked as required by Directive 2011/65/EU. Components may not be CE marked. Additionally, the part numbers that TE has identified as EU ELV compliant have a maximum concentration of 0.1% by weight in homogenous materials for lead, hexavalent chromium, and mercury, and 0.01% for cadmium, or qualify for an exemption to these limits as defined in the Annexes of Directive 2000/53/EC (ELV). Regarding the REACH Regulation, the information TE provides on SVHC in articles for this part number is based on the latest European Chemicals Agency (ECHA) 'Guidance on requirements for substances in articles' posted at this URL: <https://echa.europa.eu/guidance-documents/guidance-on-reach>

Compatible Parts



TE Part # 4-1437658-5
8PCV-12-006=#8 TRIBARRIER TERM



TE Part # 5-1437657-7
8PCV-02-006=#8 TRIBARRIER TERM



TE Part # 6-1437657-9
8PCV-03-006=#8 TRIBARRIER



TE Part # 8-1437657-0
8PCV-04-006=#8 TRIBARRIER



TE Part # 8-1437657-8
8PCV-05-006=#8 TRIBARRIER



TE Part # 9-1437657-8
8PCV-06-006=#8 TRIBARRIER



TE Part # 1-1437658-1
8PCV-07-006=#8 TRIBARRIER



TE Part # 2-1437658-1
8PCV-08-006=#8 TRIBARRIER



TE Part # 2-1437657-2
8PCR-02-006=#8 TRIBARRIER



TE Part # 2-1437657-8
8PCR-03-006=#8 TRIBARRIER



TE Part # 1-1546160-2
8WWW-04-008=#8 TRIBARRIER TERM



TE Part # 1546728-9
8PCV-03-506, w/ M4 TORX 20 Hd C S Wire R



TE Part # 1437658-2
8PCV-06-008=8PCV ASSEMBLY



TE Part # 8-1546159-2
8PCV-20-006=#8 TRIBARRIER TERM



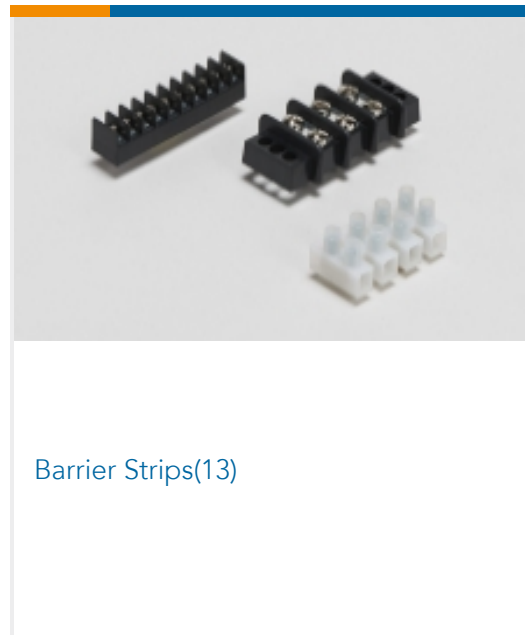
TE Part # 1-1437659-2
8QCV-02-008=8QCV ASSY



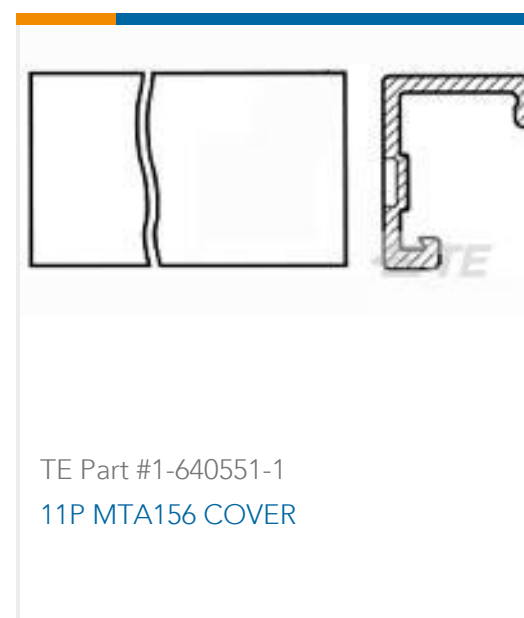
TE Part # 1-1546160-1
8WWW-03-579=W/A1 PRINTING



Also in the Series | Buchanan Barrier Strip Accessories



Customers Also Bought





Documents

[Datasheets & Catalog Pages](#)

[BUCHANAN TERMINAL BLOCKS CATALOG - BARRIER STRIPS](#)

English