

### PART No MATRIX

Y	0	X	0	0	6	X	X	X	X	X	X	X	X	X
---	---	---	---	---	---	---	---	---	---	---	---	---	---	---

Y0= ULTRA LOCK 2.0 SINGLE ENDED

POLES:  
3 = 3 POLES  
4 = 4 POLES  
5 = 5 POLES

HEADER:  
006= MALE STR

CABLE:  
E03 - 3/4/5x0.34 PVC BLACK  
B30 - 3/4/5x0.34 WSOR BLACK  
H09 - 3/4/5x0.34 PUR-LS0H BLACK

UNIT:  
M = METER  
F = FEET  
C = CENTIMETER  
T = 10M

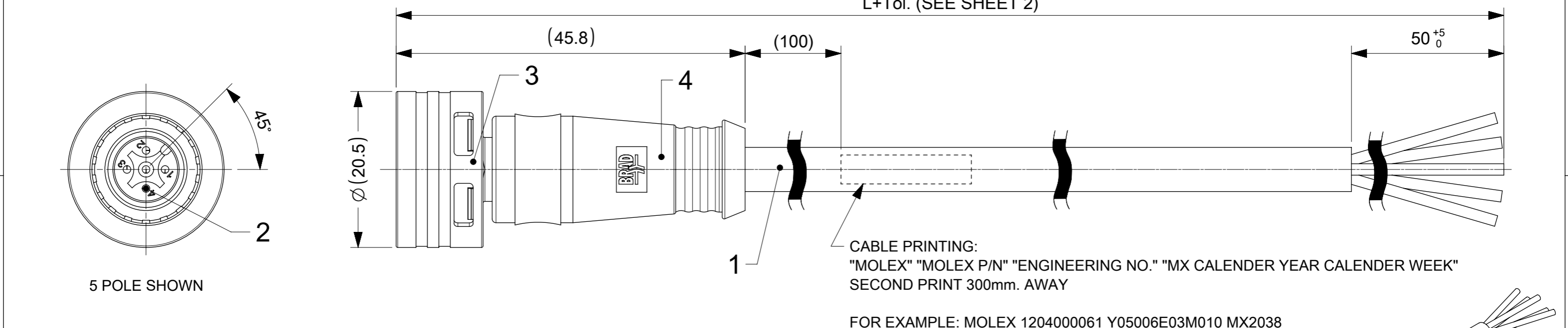
LENGTH:  
EXAMPLE:  
010 = 1 m  
050 = 5 m  
100 = 10 m

OPTIONS

OVERMOLD:  
BLANK = STANDARD BRAD:  
-YELLOW IN THE USA  
-BLACK IN EUROPE

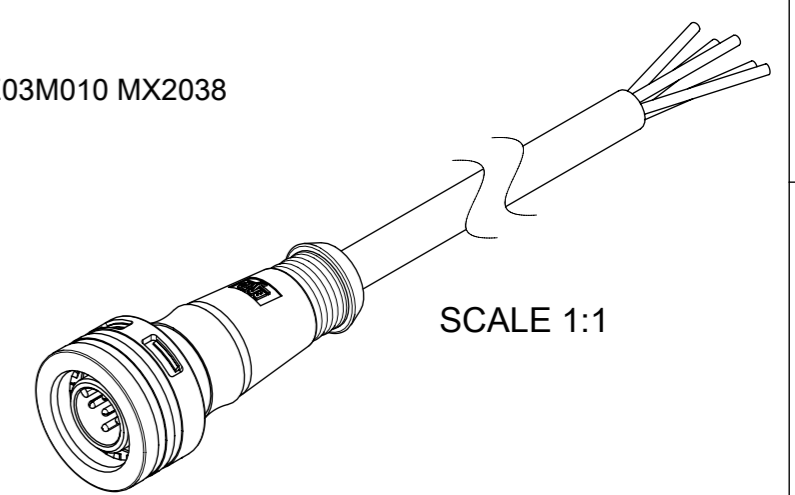
A = GREY  
E = RED  
G = BLACK  
Y = YELLOW  
H = STD. COLOUR WITH TWO ID-TAG CARRIERS

CODING ACCORDING TO IEC 61076-2-101



NOTES:

- PARTS ACC. TO PRODUCT SPECIFICATION 1204000001 PS P10 AND IN STYLE OF IEC-61076-2-010
- BOM & PART LIST - SEE SHEET 2
- RATED VOLTAGE :  
3, 4 CONTACTS: 250V AC OR DC  
5 CONTACTS: 60V AC OR DC  
RATED CURRENT:  
3, 4, 5 CONTACTS: 4A, DERATING HAS TO BE CONSIDERED  
OVERVOLTAGE CATEGORY: 3  
POLLUTION DEGREE: 3, ONLY IN MATED AND LOCKED CONDITION
- PROTECTION CLASS: IP 67, ONLY IN MATED AND LOCKED CONDITION
- TEMPERATURE RANGE:  
TEMPERATURE PLUG/SOCKET: -40 °C TO +85 °C  
TEMPERATURE CABLE: SEE CABLE LIST
- MECHANICAL OPERATIONS: 100 CYCLES
- MATES WITH ULTRA-LOCK M12 FEMALE RECEPTACLES
- PACKAGING: THE CORDSETS ARE SINGLE PACKED IN PLASTIC BAGS AND DELIVERED IN CARTON BOXES
- UL CSA FILE REGISTRATION PENDING



FUNCTIONAL SYMBOLS	THIS DRAWING CONTAINS INFORMATION THAT IS PROPRIETARY TO MOLEX ELECTRONIC TECHNOLOGIES, LLC AND SHOULD NOT BE USED WITHOUT WRITTEN PERMISSION	CURRENT REV DESC: NOTES AND CABLE LIST UPDATED																									
	<table border="1"> <tr><th>FUNCTIONAL SYMBOLS</th><th>DIMENSION UNITS</th><th>SCALE</th></tr> <tr><td><math>\nabla_A = 0</math></td><td>mm</td><td>2:1</td></tr> <tr><td><math>\nabla_E = 0</math></td><td colspan="2">GENERAL TOLERANCES (UNLESS SPECIFIED)</td></tr> <tr><td><math>\nabla_V = 0</math></td><td colspan="2">ANGULAR TOL <math>\pm 1.0^\circ</math></td></tr> <tr><td rowspan="4">DIVISIONAL SYMBOLS</td><td>4 PLACES</td><td><math>\pm</math></td></tr> <tr><td>3 PLACES</td><td><math>\pm</math></td></tr> <tr><td>2 PLACES</td><td><math>\pm 0.05</math></td></tr> <tr><td>1 PLACE</td><td><math>\pm 0.3</math></td></tr> <tr><td>0 PLACES</td><td><math>\pm 0.5</math></td></tr> </table>	FUNCTIONAL SYMBOLS	DIMENSION UNITS					SCALE	$\nabla_A = 0$	mm	2:1	$\nabla_E = 0$	GENERAL TOLERANCES (UNLESS SPECIFIED)		$\nabla_V = 0$	ANGULAR TOL $\pm 1.0^\circ$		DIVISIONAL SYMBOLS	4 PLACES	$\pm$	3 PLACES	$\pm$	2 PLACES	$\pm 0.05$	1 PLACE	$\pm 0.3$	0 PLACES
FUNCTIONAL SYMBOLS	DIMENSION UNITS	SCALE																									
$\nabla_A = 0$	mm	2:1																									
$\nabla_E = 0$	GENERAL TOLERANCES (UNLESS SPECIFIED)																										
$\nabla_V = 0$	ANGULAR TOL $\pm 1.0^\circ$																										
DIVISIONAL SYMBOLS	4 PLACES	$\pm$																									
	3 PLACES	$\pm$																									
	2 PLACES	$\pm 0.05$																									
	1 PLACE	$\pm 0.3$																									
0 PLACES	$\pm 0.5$																										
DRWN: RSCHIEBER		2023/01/31		PRODUCT CUSTOMER DRAWING																							
CHK'D: RSILLER		2023/01/31		DOCUMENT NUMBER																							
APPR: RSILLER		2023/01/31		1204000061		DOC TYPE DOC PART REVISION																					
INITIAL REVISION:		2021/01/12		PSD		000 A1																					
DRWN: JELIZAINCIN		2022/10/14		MATERIAL NUMBER		CUSTOMER																					
APPR: RSILLER		2022/10/14		SEE SHEET 2		GENERAL MARKET																					
DRAFT WHERE APPLICABLE MUST REMAIN WITHIN DIMENSIONS		THIRD ANGLE PROJECTION		DRAWING		SHEET NUMBER																					
		A3-SIZE		120400		1 OF 2																					

PART LIST

Table with columns: MOLEX NO., ENGINEERING NO., LENGHT (MM). Rows 1-29.

Table with columns: MOLEX NO., ENGINEERING NO., LENGHT (MM). Rows 1-29.

Table with columns: MOLEX NO., ENGINEERING NO., LENGHT (MM). Rows 1-29.

CABLE LIST

Table with columns: 3P, 4P, 5P, CABLE TYPE, DESCRIPTION, MATERIAL, FINISH/COLOR, FIXED INSTALLATION \*, FLEXIBLE INSTALLATION \*\*, DRAG CHAIN.

CABLE LENGTH TOLERANCES table with columns: LENGTH, TOLERANCE. Rows: 0m-1m, >1m-5m, >5m-10m, >10m-20m, >20m-30m, >30m.

\* FIXED POSITION WITHOUT ACCIDENTAL CRUSHING OF VIBRATION.
\*\* FREE MOTION WITHOUT PERIODIC RECURRENCE OR FORCED GUIDANCE.

BILL OF MATERIAL:

Table with columns: 3P, 4P, 5P, ITEM, QTY, DESCRIPTION, MATERIAL, FINISH/COLOR. Rows 1-5.

Technical drawing header area containing: FUNCTIONAL SYMBOLS, DIMENSION UNITS, SCALE, CURRENT REV DESC, molex logo, EC NO: 736602, DRWN: RSCHIEBER, APPR: RSILLER, PRODUCT CUSTOMER DRAWING, DOCUMENT NUMBER: 1204000061, SHEET NUMBER: 2 OF 2.