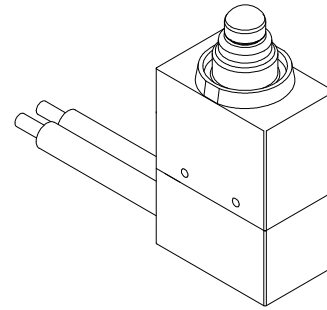
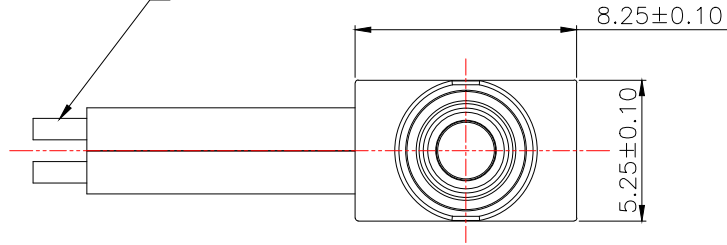


定制款，尾接端子壳

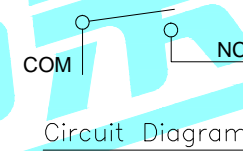
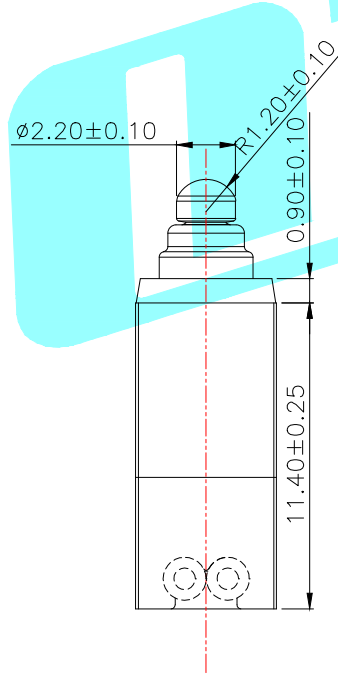
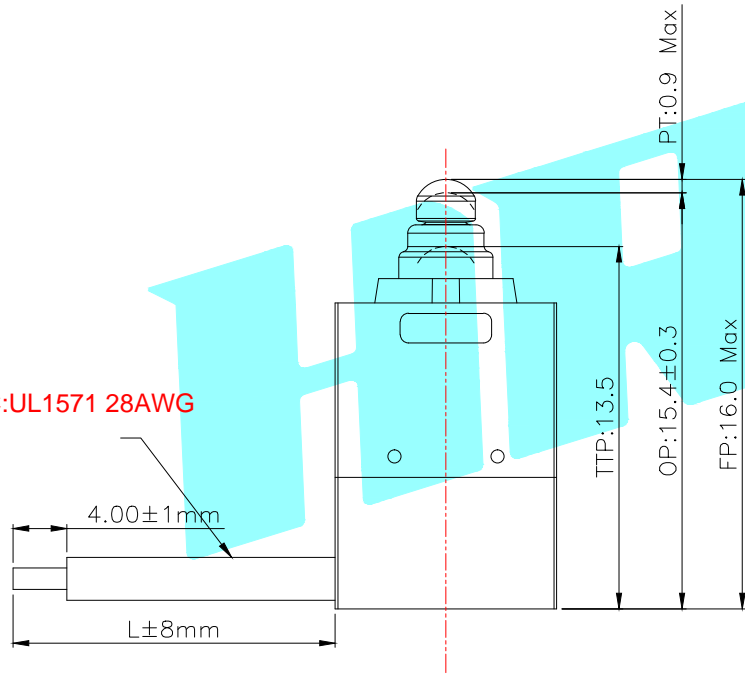


NOTE:

- 1.Rating:DC12V 0.1A
- 2.Operating froce:150gf MAX
- 3.Mechanical Life:10,000



COM/NC:UL1571 28AWG



Part No.	Wire color	L	Terminal
K9-1804J-01A	Blue/Black	200	1.5mm 2P
K9-1804J-01B	Green/Black	275	1.5mm 2P
K9-1804J-01C	Yellow/Black	380	1.5mm 3P

⑥	Shrapnel	—	1	Brass	Plating silver	—
⑤	Sealed Circle	—	1	Silicone Rubber	—	—
④	Terminal	—	2	Brass(0.50t)	Plating silver	—
③	Plunger	—	1	POM	Black	—
②	Case	—	1	PA	Black	—
①	Cover	—	1	PA	Black	—

ITEM	PART NAME	TER'NO.	QTY.	MATERIAL	FINISHING	REMARK
------	-----------	---------	------	----------	-----------	--------

APPROVALS		DATE		 ELECTRONICS CO.,LTD		
-----------	--	------	--	-------------------------	--	--

DRAWN	LIUCAN	2021.7.29	TITLE:	MICRO SWITCHS
-------	--------	-----------	--------	---------------

APPROVALS	PART NO.
-----------	----------

TOLERANCES ARE	30~以上	±0.30	ANGLE	UNIT: mm	SCALE: 1:1	PROJ:
	10~30	±0.20				
	5~10	±0.15				
	~ 5	±0.10				
DRAWING NO.			±2°			SHEET 1 OF 1

ECN NO.	REV.	DATE.	DESCRIPTION.	CHANGE.	CHECK.	APPRO.
	A		NEW			