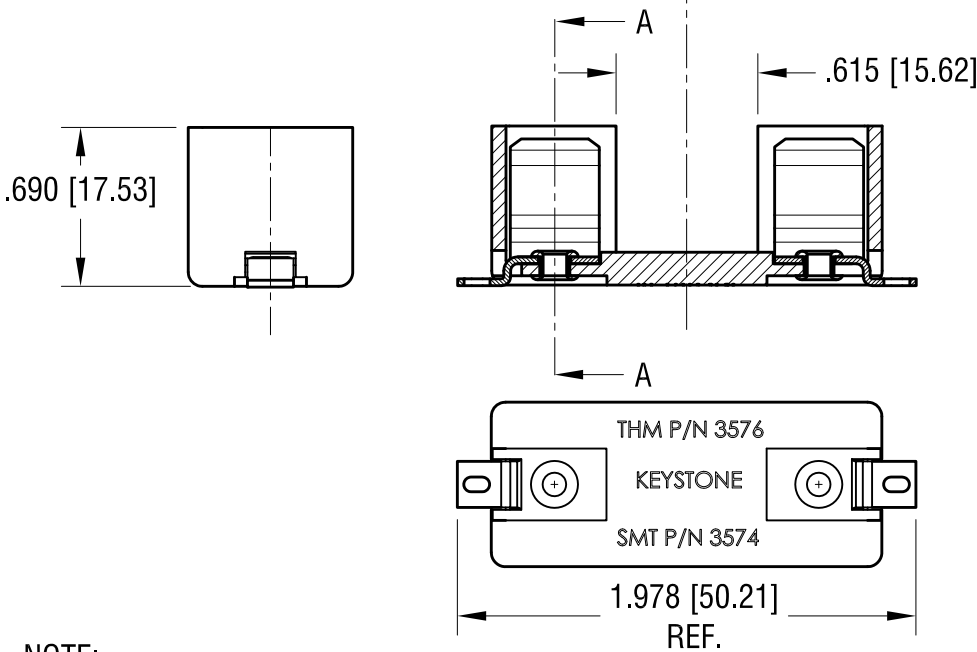
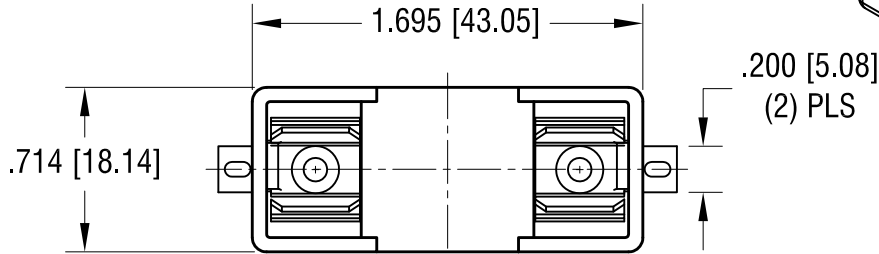
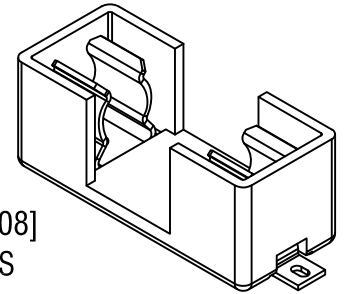
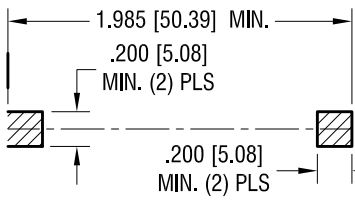
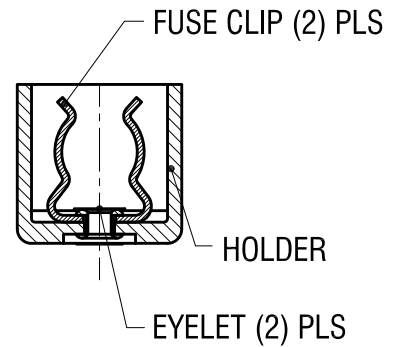


THIS DOCUMENT IS THE PROPERTY OF KEYSTONE ELECTRONICS CORP. AND SHALL NOT BE REPRODUCED, DISTRIBUTED OR USED AS A BASIS FOR MANUFACTURE WITHOUT PRIOR WRITTEN PERMISSION FROM KEYSTONE ELECTRONICS CORP.

**MOUNTING LAYOUT**



**SECTION A-A**



**NOTE:**

1. HOLDER: MAT'L- HI-TEMPERATURE NYLON (BLACK COLOR)  
UL RATING 94V-0
2. FUSE CLIP: MAT'L- .030 [0.76] TH'K BRASS  
FINISH- TIN PLATE
3. FILE NUMBER: E354010

<b>KEYSTONE ELECTRONICS CORP.</b>			
www.keyelco.com • NEW HYDE PARK NY 11040 • Tel (516)328-7500			
PART NAME		SMT FUSE HOLDER	
MATERIAL		AS NOTED	
FINISH	AS NOTED	DRN BY	NT
		DATE	2.16.12
		APP'D	<b>MR</b>
		SCALE	1.2X
TOLERANCES	INCH [MM]	CODE	DWG NO.
DECIMAL	± .010 [± 0.25]	<b>C</b>	<b>3574</b>
ANGULAR	± 1°		
UNLESS OTHERWISE SPECIFIED			

7.24.12	CHANGE AS PER ECN 12-093	B
7.20.12	CHANGE AS PER ECN 12-90	A
DATE	DESCRIPTION	REV.