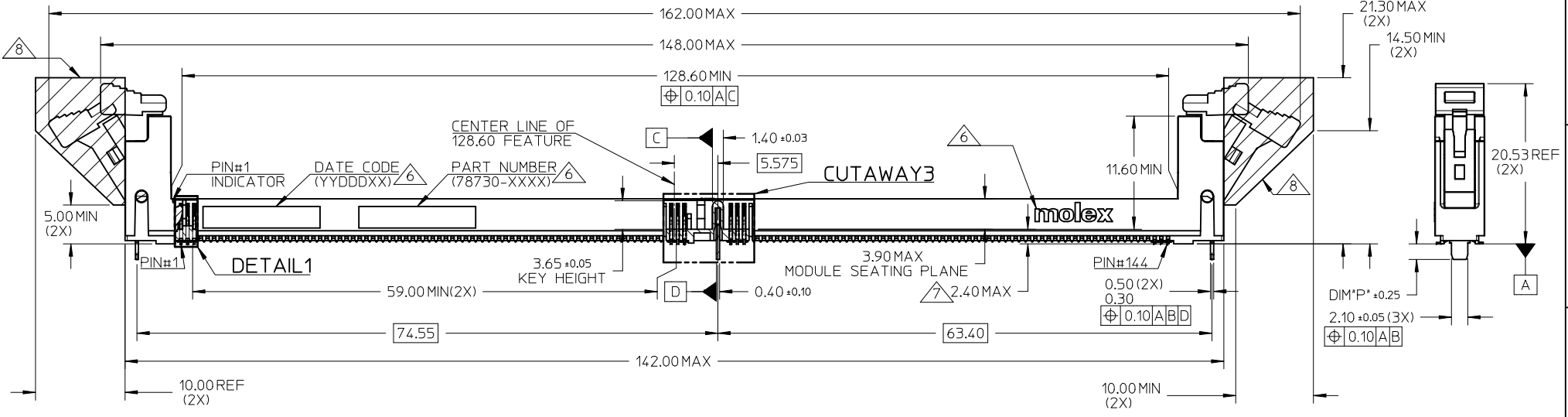
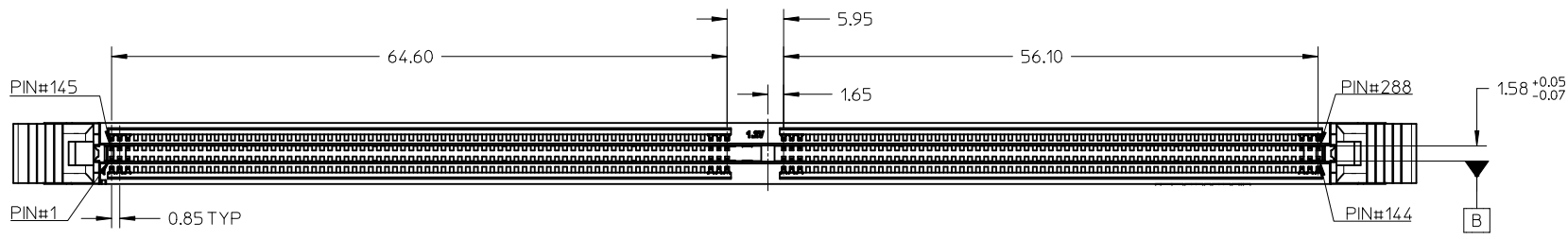
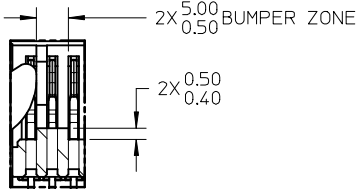


10 9 8 7 6 5 4 3 2 1



NOTES:

- 1. MATERIAL : HOUSING - HALOGEN FREE HIGH TEMP POLYAMIDE, GLASS FILLED, UL94V-0, COLOUR : SEE TABLE ON SHEET 5. LATCH - HALOGEN FREE HIGH TEMP POLYAMIDE, GLASS FILLED, UL94V-0, COLOUR : SEE TABLE ON SHEET 5. TERMINAL : COPPER ALLOY. METALTAB: COPPER ALLOY.
- 2. FINISHES - SEE TABLE ON SHEET 5.
- 3. PRODUCT SPECIFICATION : SEE TABLE ON SHEET 5.
- 4. PACKAGING SPECIFICATION: PRODUCT SHALL BE PACKED IN TRAY, SEE SHEET 5
- 5. CARD SLOT ACCEPTS 1.40±0.10MM MODULE THICKNESS (MEASURED OVER P.C. PADS).
- 6. MOLEX LOGO, DATE & PART NO. INDICATED ON HOUSING.
- 7. MODULE SEATING PLANE.
- 8. KEEP OUT ZONE RESERVED FOR LATCH.
- 9. KEEP OUT AREA IS THE AREA WHERE THE CONNECTOR (INCLUDES LATCHES IN OPENING POSITION) IS MOUNTED ON THE PCB.
- 10. REFER TO AS-78730-001 FOR CONNECTOR APPLICATION GUIDELINE.
- 11. REFER TO AS-78730-002 FOR PCB ROUTING RECOMMENDATIONS.

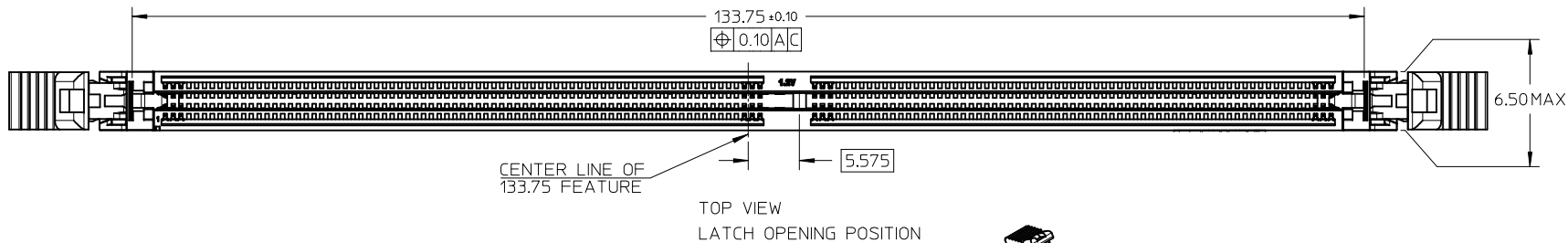


DETAIL1: BUMPER ZONE

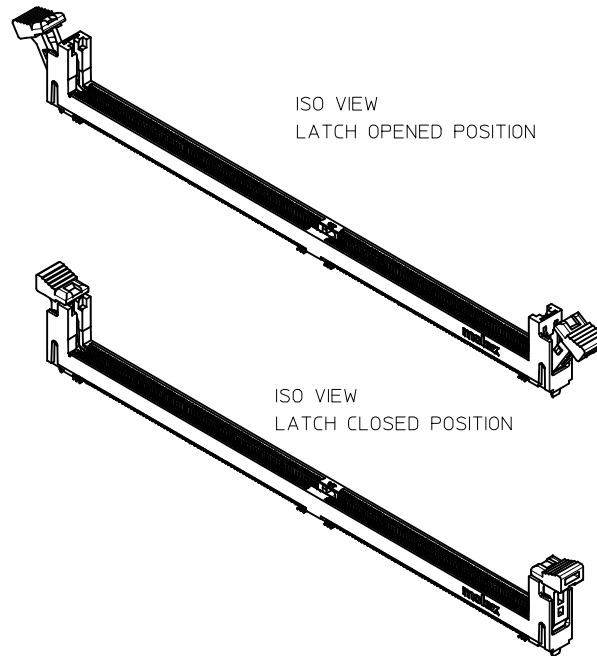
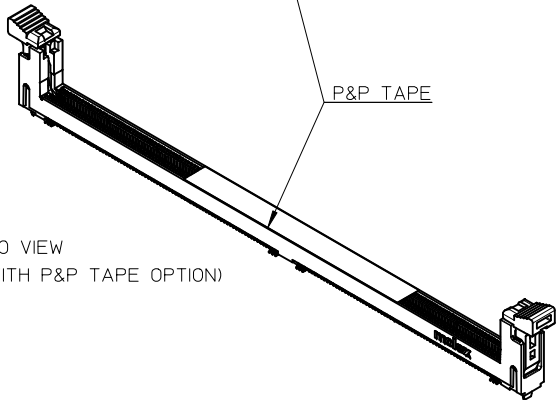
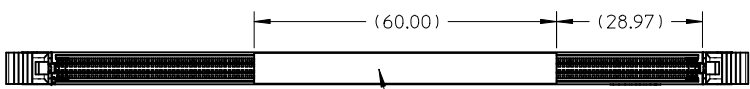
THIS DESIGN IS BASED ON DESIGN OBJECTIVES AND IS STRICTLY TENTATIVE. IT MAY CHANGE BASED ON RESULTS OF ADDITIONAL DESIGN REVIEWS AND VERIFICATIONS.

ADD NEW PN EC NO: S2017-0584 DRW: EKS0H CHKD: CGTAN APPR: SHLENI 2017/05/03 2017/05/19 2017/05/19	QUALITY SYMBOLS $F_A=0$ $F_C=0$ $F_B=0$	GENERAL TOLERANCES (UNLESS SPECIFIED)		DIMENSION STYLE MM ONLY		SCALE NTS	DESIGN UNITS METRIC	THIRD ANGLE PROJECTION			
		4 PLACES ± --- ± ---	mm INCH	DRAWN BY EKS0H	DATE 2014/10/29	TITLE DDR4 DIMM, 0.85MM PITCH 288CKTS, VERT. SMT (TAB)					
		3 PLACES ± --- ± ---		CHECKED BY CGTAN	DATE 2014/12/18	molex					
		2 PLACES ± 0.20 ± ---		APPROVED BY SHLENI	DATE 2014/12/18						
		1 PLACE ± --- ± ---		MATERIAL NO.		SEE TABLE		DOCUMENT NO. SD-78730-003		SHEET NO. 1 OF 5	
0 PLACE ± --- ± ---		ANGULAR ± 3 °		THIS DRAWING CONTAINS INFORMATION THAT IS PROPRIETARY TO MOLEX INCORPORATED AND SHOULD NOT BE USED WITHOUT WRITTEN PERMISSION							

9 8 7 6 5 4 3 2 1

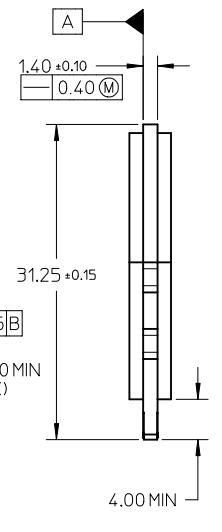
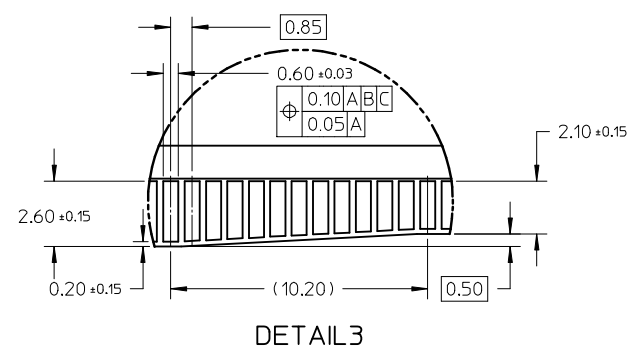
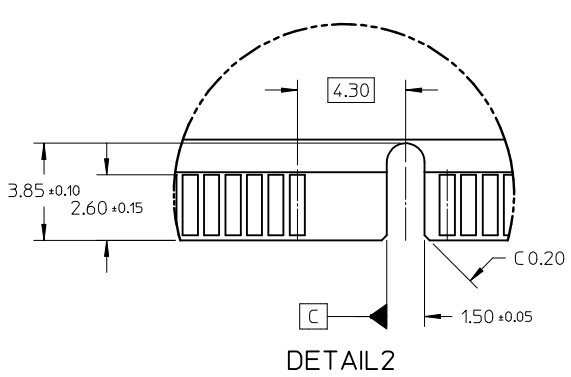
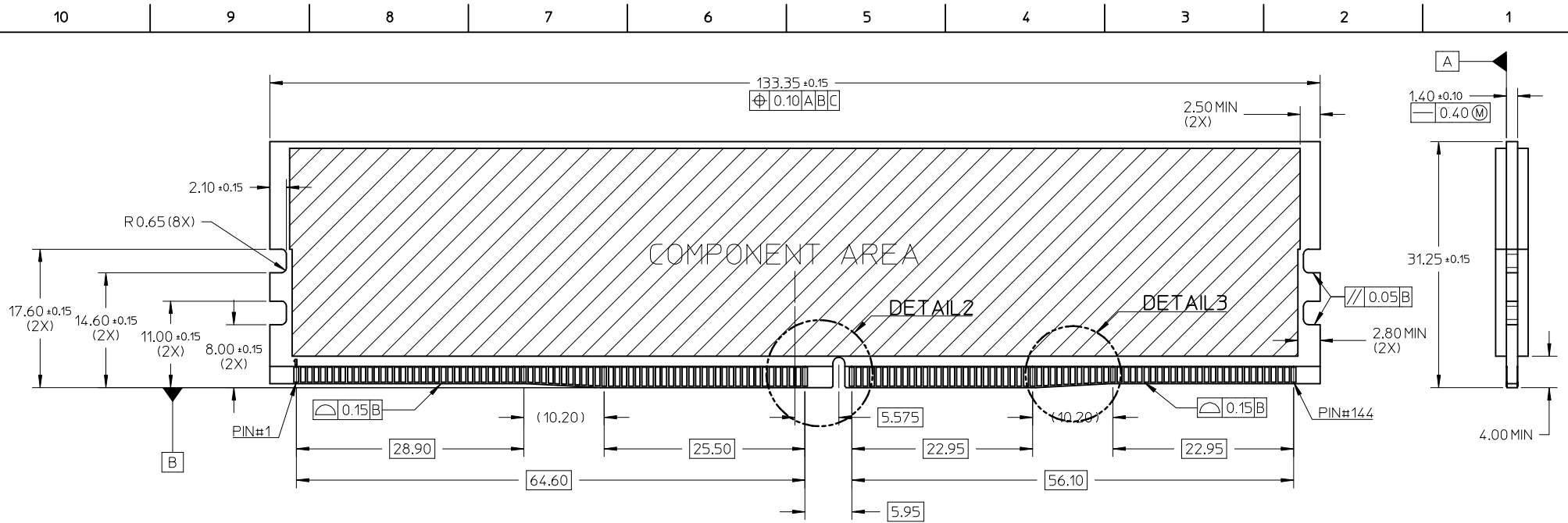


VIEWS WITH P&P TAPE OPTION



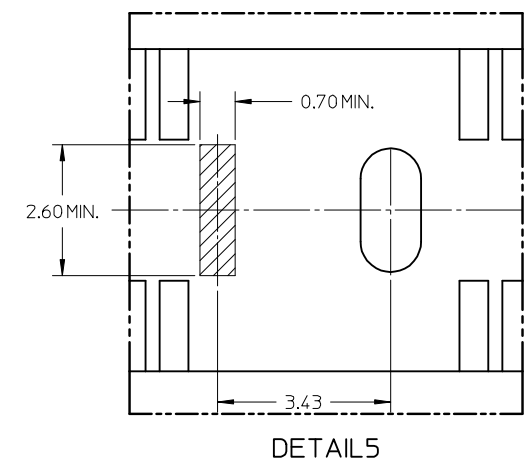
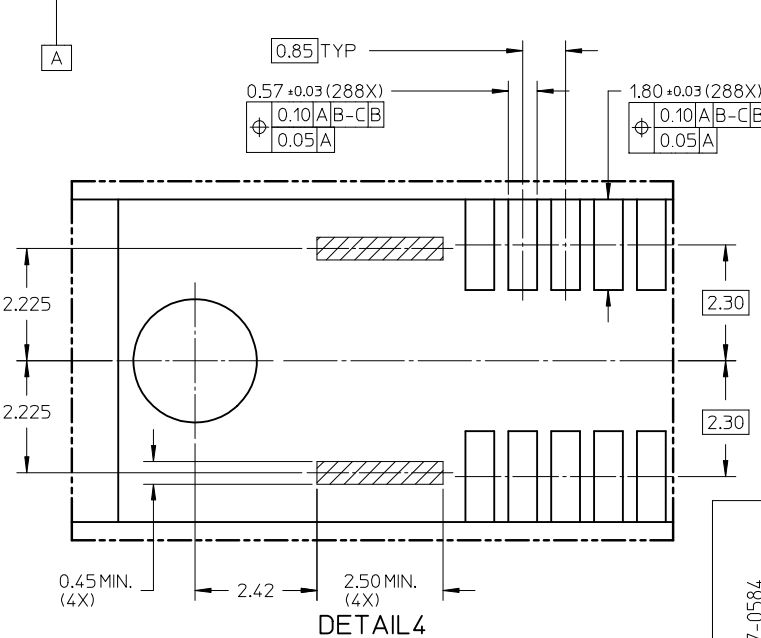
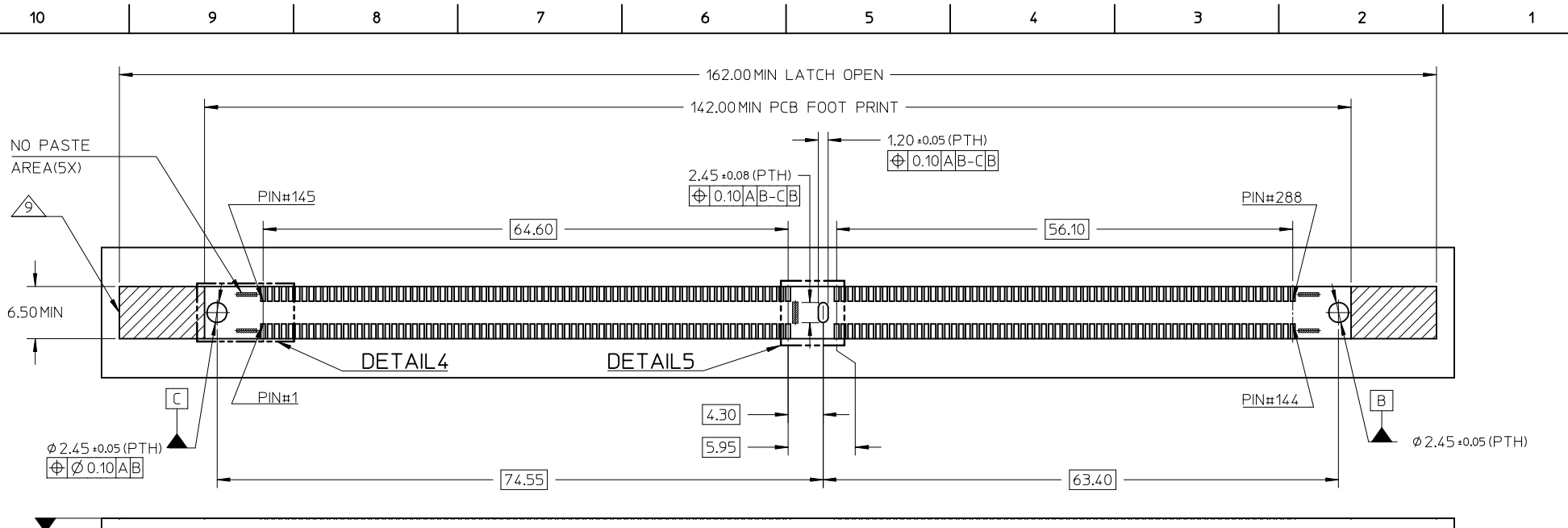
THIS DESIGN IS BASED ON DESIGN OBJECTIVES AND IS STRICTLY TENTATIVE. IT MAY CHANGE BASED ON RESULTS OF ADDITIONAL DESIGN REVIEWS AND VERIFICATIONS.

ADD NEW PN EC NO: S2017-0584 DRW:EKSOH 2017/05/03 CHKD:CGTAN 2017/05/19 APPR:SHLENI 2017/05/19	QUALITY SYMBOLS	GENERAL TOLERANCES (UNLESS SPECIFIED)		DIMENSION STYLE MM ONLY		SCALE NTS	DESIGN UNITS METRIC	THIRD ANGLE PROJECTION
	$\nabla_A = 0$	4 PLACES	± ---	± ---	DRAWN BY	DATE	TITLE	
	$\nabla_C = 0$	3 PLACES	± ---	± ---	CHECKED BY	DATE	DDR4 DIMM, 0.85MM PITCH 288CKTS, VERT. SMT (TAB)	
	$\nabla_P = 0$	2 PLACES	± 0.20	± ---	APPROVED BY	DATE	molex DOCUMENT NO. SD-78730-003 SHEET NO. 2 OF 5	
		1 PLACE	± ---	± ---	SHLENI	2014/12/18		
		0 PLACE	± ---	± ---	MATERIAL NO.		SEE TABLE	
		ANGULAR ± 3 °		SIZE A3		THIS DRAWING CONTAINS INFORMATION THAT IS PROPRIETARY TO MOLEX INCORPORATED AND SHOULD NOT BE USED WITHOUT WRITTEN PERMISSION		



THIS DESIGN IS BASED ON DESIGN OBJECTIVES AND IS STRICTLY TENTATIVE. IT MAY CHANGE BASED ON RESULTS OF ADDITIONAL DESIGN REVIEWS AND VERIFICATIONS.

ADD NEW PN EC NO: S2017-0584 DRW: EKSOH 2017/05/03 CHKD: CGTAN 2017/05/19 APPR: SHLENI 2017/05/19	QUALITY SYMBOLS $\nabla_A = 0$ $\nabla_C = 0$ $\nabla_B = 0$	GENERAL TOLERANCES (UNLESS SPECIFIED) <table border="1"> <thead> <tr> <th></th> <th>mm</th> <th>INCH</th> </tr> </thead> <tbody> <tr> <td>4 PLACES</td> <td>± ---</td> <td>± ---</td> </tr> <tr> <td>3 PLACES</td> <td>± ---</td> <td>± ---</td> </tr> <tr> <td>2 PLACES</td> <td>± 0.20</td> <td>± ---</td> </tr> <tr> <td>1 PLACE</td> <td>± ---</td> <td>± ---</td> </tr> <tr> <td>0 PLACE</td> <td>± ---</td> <td>± ---</td> </tr> </tbody> </table>		mm	INCH	4 PLACES	± ---	± ---	3 PLACES	± ---	± ---	2 PLACES	± 0.20	± ---	1 PLACE	± ---	± ---	0 PLACE	± ---	± ---	DIMENSION STYLE MM ONLY DRAWN BY: EKSOH DATE: 2014/10/29 CHECKED BY: CGTAN DATE: 2014/12/18 APPROVED BY: SHLENI DATE: 2014/12/18	SCALE NTS	DESIGN UNITS METRIC	THIRD ANGLE PROJECTION
		mm	INCH																					
	4 PLACES	± ---	± ---																					
	3 PLACES	± ---	± ---																					
	2 PLACES	± 0.20	± ---																					
	1 PLACE	± ---	± ---																					
0 PLACE	± ---	± ---																						
DRAFT WHERE APPLICABLE MUST REMAIN WITHIN DIMENSIONS	MATERIAL NO. SEE TABLE	TITLE DDR4 DIMM, 0.85MM PITCH 288CKTS, VERT. SMT (TAB)	molex	DOCUMENT NO. SD-78730-003	SHEET NO. 3 OF 5																			
SIZE A3	THIS DRAWING CONTAINS INFORMATION THAT IS PROPRIETARY TO MOLEX INCORPORATED AND SHOULD NOT BE USED WITHOUT WRITTEN PERMISSION																							




RECOMMENDED PCB THICKNESS: 1.57MM TO 3.18MM

THIS DESIGN IS BASED ON DESIGN OBJECTIVES AND IS STRICTLY TENTATIVE. IT MAY CHANGE BASED ON RESULTS OF ADDITIONAL DESIGN REVIEWS AND VERIFICATIONS.

ADD NEW PN EC NO: S2017-0584 DRW: EKS0H 2017/05/03 CHKD: CGTAN 2017/05/19 APPR: SHLENI 2017/05/19	QUALITY SYMBOLS $F_A=0$ $F_G=0$ $F_P=0$	GENERAL TOLERANCES (UNLESS SPECIFIED)		DIMENSION STYLE MM ONLY		SCALE NTS	DESIGN UNITS METRIC	THIRD ANGLE PROJECTION		
		4 PLACES ± --- ± ---	mm	INCH	DRAWN BY EKS0H	DATE 2014/10/29	TITLE DDR4 DIMM, 0.85MM PITCH 288CKTS, VERT. SMT (TAB)			
		3 PLACES ± --- ± ---			CHECKED BY CGTAN	DATE 2014/12/18				
		2 PLACES ± 0.20 ± ---			APPROVED BY SHLENI	DATE 2014/12/18				
ANGULAR ± 3 °		DRAFT WHERE APPLICABLE MUST REMAIN WITHIN DIMENSIONS		MATERIAL NO. SEE TABLE		DOCUMENT NO. SD-78730-003		SHEET NO. 4 OF 5		
THIS DRAWING CONTAINS INFORMATION THAT IS PROPRIETARY TO MOLEX INCORPORATED AND SHOULD NOT BE USED WITHOUT WRITTEN PERMISSION										

CKT SIZE	ASSEMBLY PART NO.	HOUSING COLOUR	LATCH COLOUR	P&P OPTION	DIM*P*	PLATING OPTION		PRODUCT SPEC. NO.	PACKAGING SPEC. NO.	
						TERMINAL	METAL TAB			
288	78730-1502	BLACK	BLACK	NO	2.00	0.76 MICROMETER (30 MICROINCH) MIN GOLD ON CONTACT 2.54 MICROMETER (100 MICROINCH) MIN TIN ON SOLDER TAILS	1 MICROMETER (40 MICROINCH) MIN TIN OVERALL (PRE-PLATED)	PS-78730-001		
	78730-1503		OFF-WHITE							
	78730-1504	OFF-WHITE	BLACK							
	78730-1505		OFF-WHITE							
	78730-1506	BLUE	BLACK							
	78730-1507		OFF-WHITE							
	78730-2502	BLACK	BLACK	YES	1.50	0.38 MICROMETER (15 MICROINCH) MIN GOLD ON CONTACT 2.54 MICROMETER (100 MICROINCH) MIN TIN ON SOLDER TAILS	1 MICROMETER (40 MICROINCH) MIN TIN OVERALL (PRE-PLATED)	PS-78730-002		
	78730-2503		OFF-WHITE							
	78730-2504	OFF-WHITE	BLACK							
	78730-2505		OFF-WHITE							
	78730-2506	BLUE	BLACK	YES	2.00	1.27 MICROMETER (50 MICROINCH) MIN NICKEL UNDERPLATE	1 MICROMETER (40 MICROINCH) MIN TIN OVERALL (PRE-PLATED)	PS-78730-002	PK-78730-001	
	78730-2507		OFF-WHITE							
	78730-1853	BLACK	OFF-WHITE							NO
	78730-1857	BLUE								YES
	78730-2853	BLACK								NO
	78730-2857	BLUE								YES
	78730-1653	BLACK		NO						
	78730-2653			YES						
	78730-1658	YELLOW	NO							
	78730-1858		1.50							
78730-2658	2.00									
78730-2858	1.50									
78730-3653	BLACK	YES	2.00	2.00				PK-78730-002		
78730-3658	YELLOW									

THIS DESIGN IS BASED ON DESIGN OBJECTIVES AND IS STRICTLY TENTATIVE. IT MAY CHANGE BASED ON RESULTS OF ADDITIONAL DESIGN REVIEWS AND VERIFICATIONS.

ADD NEW PN EC NO: S2017-0584 DRW: EKSOH 2017/05/03 CHKD: CGTAN 2017/05/19 APPR: SHLENI 2017/05/19	QUALITY SYMBOLS $F_A=0$ $F_G=0$ $F_P=0$	GENERAL TOLERANCES (UNLESS SPECIFIED)		DIMENSION STYLE MM ONLY		SCALE NTS	DESIGN UNITS METRIC	THIRD ANGLE PROJECTION			
			mm	INCH	DRAWN BY EKSOH	DATE 2014/10/29	TITLE DDR4 DIMM, 0.85MM PITCH 288CKTS, VERT. SMT (TAB)				
		4 PLACES	± ---	± ---	CHECKED BY CGTAN	DATE 2014/12/18					
		3 PLACES	± ---	± ---	APPROVED BY SHLENI	DATE 2014/12/18					
		2 PLACES	± 0.20	± ---	MATERIAL NO.		DOCUMENT NO.		SHEET NO.		
		1 PLACE	± ---	± ---	SEE TABLE		SD-78730-003		5 OF 5		
0 PLACE	± ---	± ---	DRAFT WHERE APPLICABLE MUST REMAIN WITHIN DIMENSIONS		THIS DRAWING CONTAINS INFORMATION THAT IS PROPRIETARY TO MOLEX INCORPORATED AND SHOULD NOT BE USED WITHOUT WRITTEN PERMISSION						