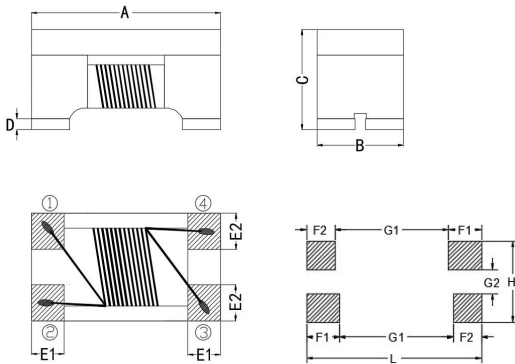


- 1.High common mode impedance at high frequency cause excellent noise suppression performance.
- 2.SCM3216NF series realizes small size and low profile.3.4x1.6x2.0 mm.
- 3.100% Lead(Pb) & Halogen-Free and RoHS compliant.



Part Number	Inductance (uH) (100KHz/0.1V)Min	DC Resistance (Ω) max.	Rated Current (mA)max.	Rated Volt. (Vdc)max.	Withstand Volt. (Vdc) max.	IR (Ω) min.
SCM3216NF600T S	60±25%	1.50	200	50	125	10M

MECHANICAL



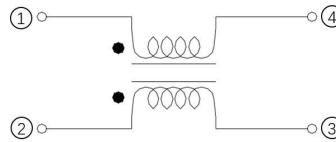
Recommended PC Board Pattern

Series	A (mm)	B (mm)	C (mm)	D (mm)	E1 (mm)	E2 (mm)
3216NF	3.4±0.2	1.6±0.2	2.0±0.2	0.15±0.1	0.64±0.1	0.66±0.1

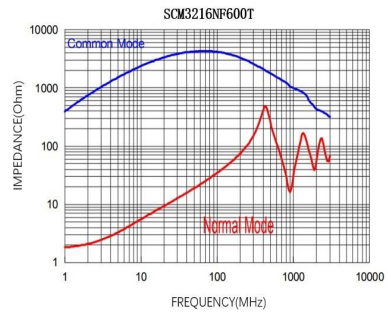
L(mm)	H(mm)	G1(mm)	G2(mm)	F1(mm)	F2(mm)
3.7	1.7	2.4	0.5	0.7	0.6

Dimension: mm

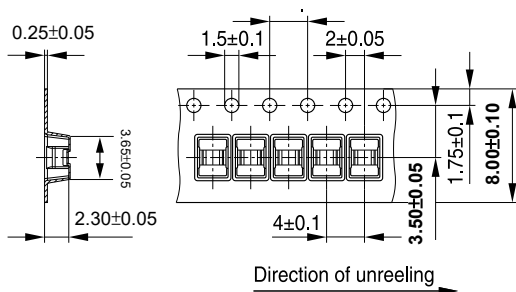
SCHEMATICS



IMPEDEDANCE FREQUENCY

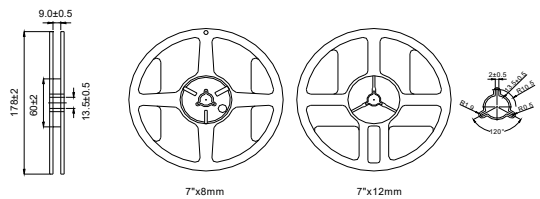


TAPING AND PACKING



IND1752-J-E

Reel



Dimensions in mm

Quantity (pcs):
2000 PCS PER REEL
5 REELS PER CARTON
10000PCS PER CARTON