

62904-1 ✓ ACTIVE

MAG-MATE | MAG-MATE 300

TE Internal #: 62904-1

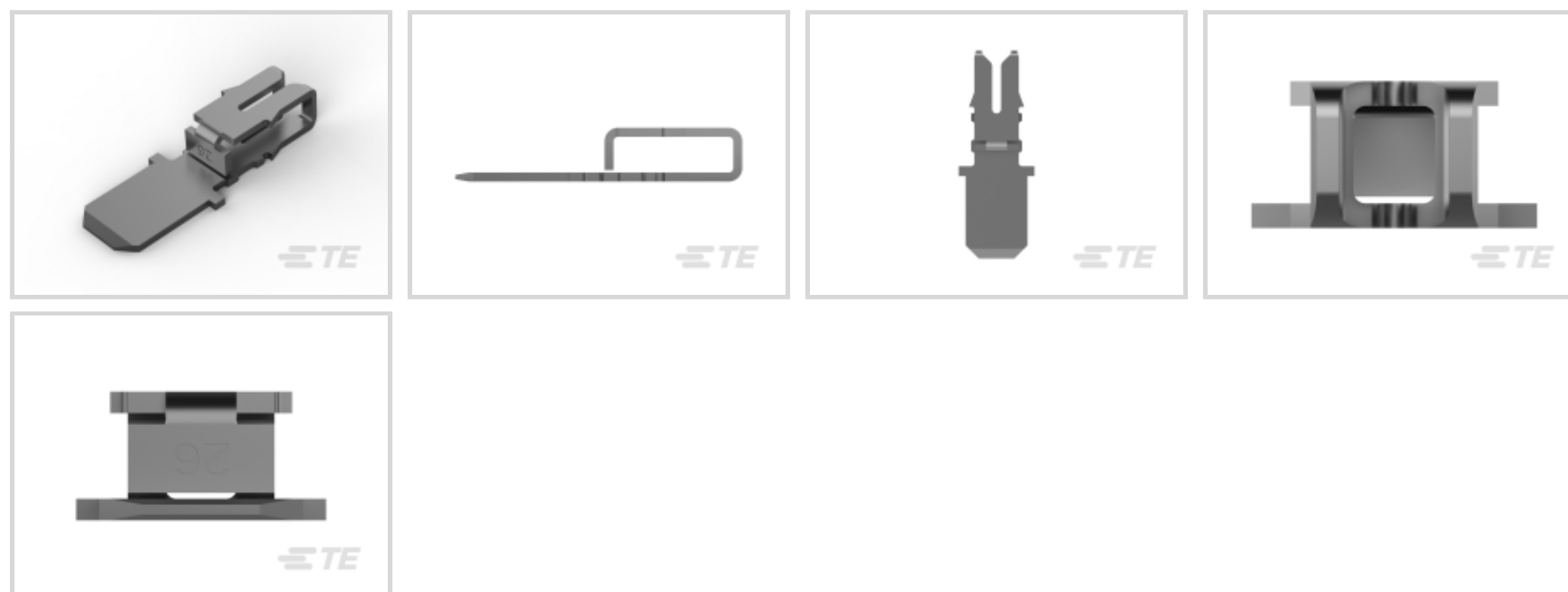
Tab, Mating Tab Width 4.75 mm [.187 in], Size 2, .81 – 1.02 mm

Magnet Wire, 20 – 18 AWG Magnet Wire, MAG-MATE 300, Magnet Wire Terminals

[View on TE.com >](#)



Terminals & Splices > Magnet Wire Terminals



Magnet Wire Terminal Type: **Tab**

Mating Tab Width: **4.75 mm [.187 in]**

Mating Tab Thickness: **.51 mm [.02 in]**

Compatible With Cavity Size: **Size 2**

Magnet Wire Size: **20 – 18 AWG**

## Features

### Product Type Features

Compatible With Discrete Wire Type

Magnet Wire, Solid

### Body Features

Compatible With Cavity Size

Size 2

### Contact Features

Magnet Wire Terminal Type

Tab

Mating Tab Width

4.75 mm [.187 in]

Mating Tab Thickness

.51 mm [.02 in]

Terminal Plating Material

Tin

Terminal Orientation

Straight

### Termination Features

Termination Method to Wire & Cable

Insulation Displacement (IDC)

### Mechanical Attachment

Mating Retention Type

Dimple



### Dimensions

Terminal Height	7.87 mm[.31 in]
Magnet Wire Size	.81 – 1.02 mm
Stock Thickness (Magnet Wire Side)	.51 mm[.02 in]
Product Length	16 mm[.63 in]

### Usage Conditions

Insulation Option	Uninsulated
Operating Temperature Range	-65 – 150 °C[-85 – 302 °F]

### Operation/Application

Compatible With Wire Base Material	Copper
------------------------------------	--------

### Identification Marking

Identification Number	26
-----------------------	----

### Packaging Features

Packaging Quantity	7500
Packaging Method	Reel, Reel/Carton

### Product Compliance

[For compliance documentation, visit the product page on TE.com>](#)

EU RoHS Directive 2011/65/EU	Compliant
EU ELV Directive 2000/53/EC	Compliant
China RoHS 2 Directive MIIT Order No 32, 2016	No Restricted Materials Above Threshold
EU REACH Regulation (EC) No. 1907/2006	Current ECHA Candidate List: JUNE 2024 (241) Candidate List Declared Against: JUNE 2024 (241) Does not contain REACH SVHC
Halogen Content	Low Halogen - Br, Cl, F, I < 900 ppm per homogenous material. Also BFR/CFR/PVC Free
Solder Process Capability	Not applicable for solder process capability

#### Product Compliance Disclaimer

This information is provided based on reasonable inquiry of our suppliers and represents our current actual knowledge based on the information they provided. This information is subject to change. The part numbers that TE has identified as EU RoHS compliant have a maximum concentration of 0.1% by weight in homogenous materials for lead, hexavalent chromium, mercury, PBB, PBDE, DBP, BBP, DEHP, DIBP, and 0.01% for cadmium, or qualify for an exemption to these limits as defined in the Annexes of Directive 2011/65/EU (RoHS2). Finished electrical and electronic equipment products will be CE marked as required by Directive 2011/65/EU. Components may not be CE marked. Additionally, the part

numbers that TE has identified as EU ELV compliant have a maximum concentration of 0.1% by weight in homogenous materials for lead, hexavalent chromium, and mercury, and 0.01% for cadmium, or qualify for an exemption to these limits as defined in the Annexes of Directive 2000/53/EC (ELV). Regarding the REACH Regulation, the information TE provides on SVHC in articles for this part number is based on the latest European Chemicals Agency (ECHA) 'Guidance on requirements for substances in articles' posted at this URL: <https://echa.europa.eu/guidance-documents/guidance-on-reach>

## Compatible Parts

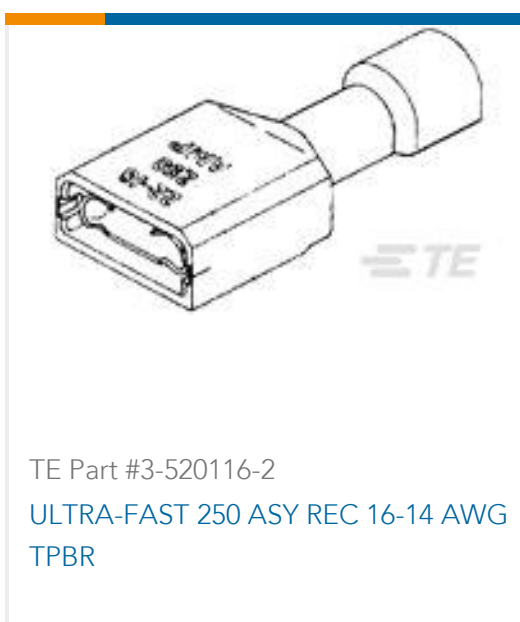
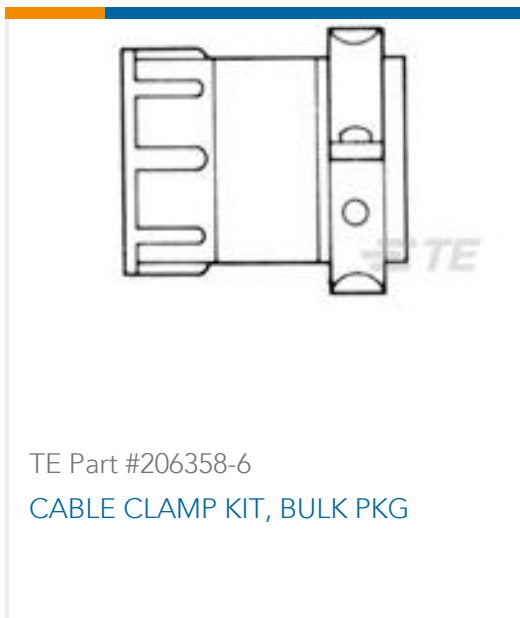
 <p>TE Part # 62897-1 MAG-MATE POKE-IN TAB 020 TPBR</p>	 <p>TE Part # 62888-2 MAG-MATE 187 TAB 020 TPBR</p>	 <p>TE Part # 63200-1 MAG-MATE 250F TAB TPBR</p>	 <p>TE Part # 63273-1 MAG-MATE 187 FAST TAB 020TPBR</p>
 <p>TE Part # 62888-1 MAG-MATE 187 TAB 020 TPBR</p>	 <p>TE Part # 1742160-1 TAB,187 FASTON,MAG-MATE</p>	 <p>TE Part # 62511-1 MAG-MATE 22-20 187 F TAB TPBR</p>	 <p>TE Part # 63782-1 TAB,187 FAST MAG-MATE 020TPBR</p>
 <p>TE Part # 1-62511-1 MAG-MATE 22-20 187 F TAB TPBR</p>	 <p>TE Part # 1394476-1 MAG MATE ST-KONT2,0</p>	 <p>TE Part # 1742242-1 TAB,187 FASTON,LP,MAG-MATE</p>	 <p>TE Part # 2328510-1 300BOX MAG-MATE TERMINAL WITH 187 TAB</p>
 <p>TE Part # 62511-2 MAG-MATE 22-20 187 F TAB TPBR</p>	 <p>TE Part # 63018-1 MAG-MATE W/187 FTAB 33-31 TPBR</p>	 <p>TE Part # 63107-1 MAG-MATE 187 F TAB 27-23 TPBR</p>	 <p>TE Part # 63216-1 MAG-MATE W/118 CONN TAB TPBR</p>



## Also in the Series | MAG-MATE 300



## Customers Also Bought



## Documents

### Product Drawings

MAG-MATE 187 TAB 020 TPBR

English

### CAD Files

3D PDF

3D



**Customer View Model**

[ENG\\_CVM\\_CVM\\_62904-1\\_V.2d\\_dxf.zip](#)

English

**Customer View Model**

[ENG\\_CVM\\_CVM\\_62904-1\\_V.3d\\_igs.zip](#)

English

**Customer View Model**

[ENG\\_CVM\\_CVM\\_62904-1\\_V.3d\\_stp.zip](#)

English

By downloading the CAD file I accept and agree to the [Terms and Conditions](#) of use.

---

**Datasheets & Catalog Pages**

[Magnet Wire Terminals & Splices](#)

English

---

**Product Specifications**

[Application Specification](#)

English

---

**Agency Approvals**

[UL Report](#)

English