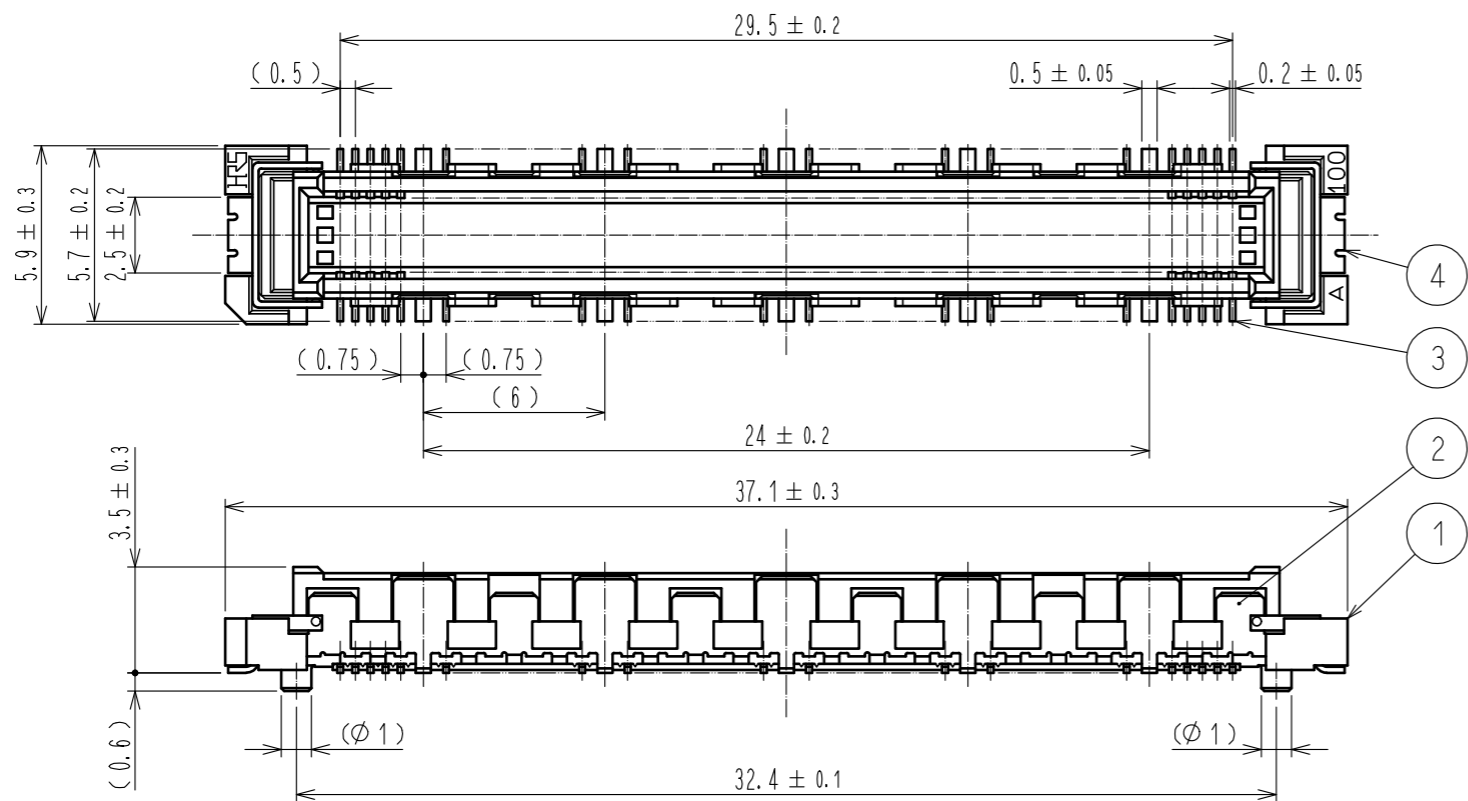
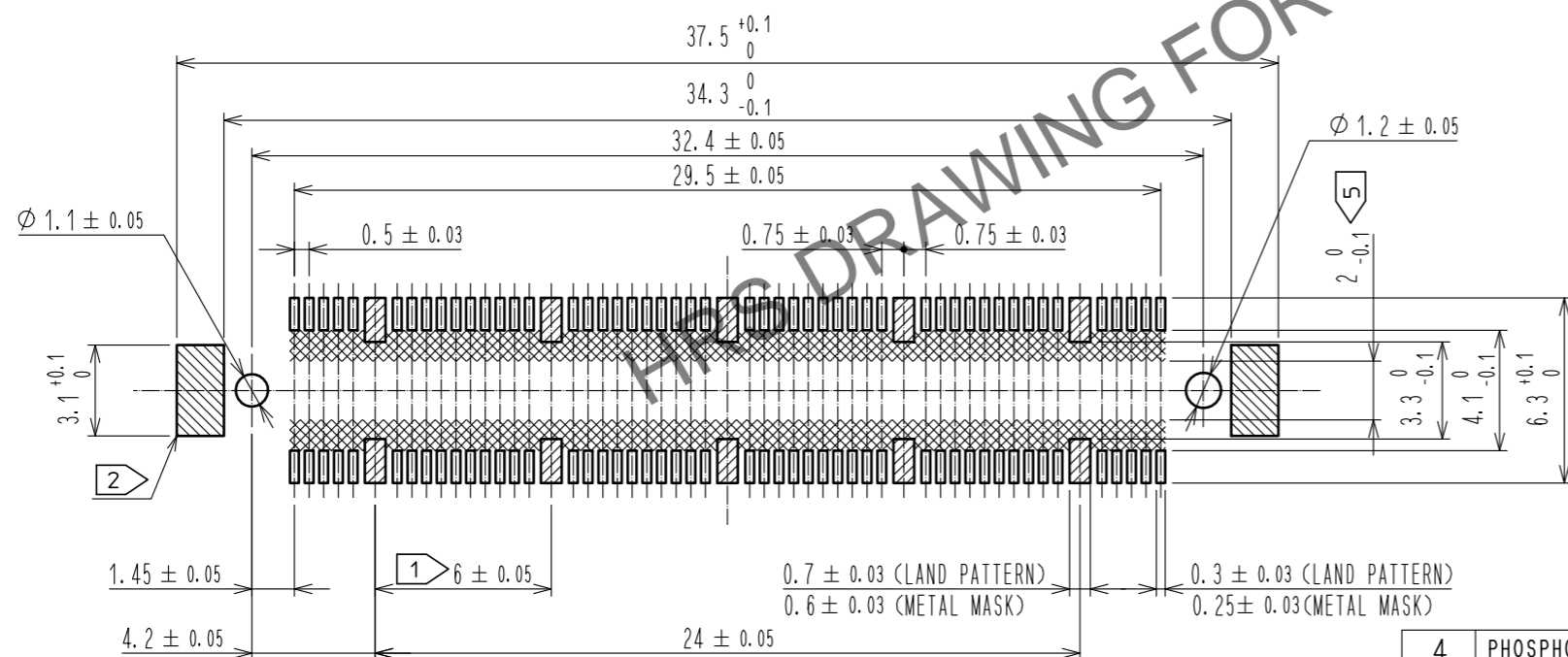


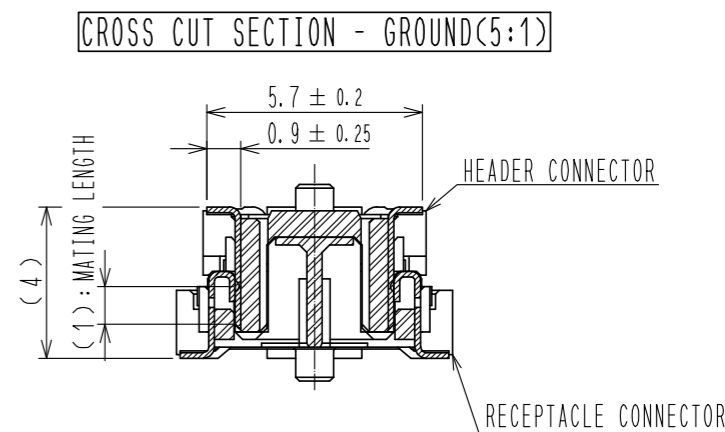
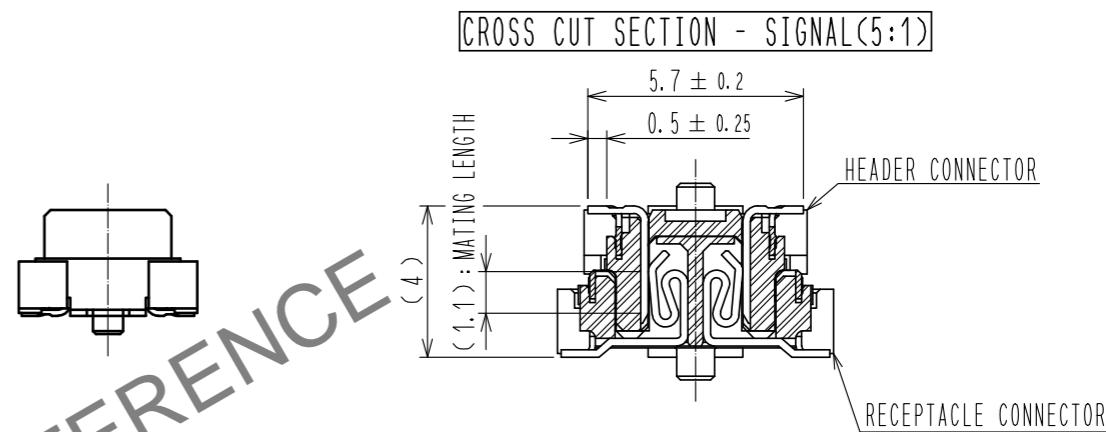
Jul.1.2024 Copyright 2024 HIROSE ELECTRIC CO., LTD. All Rights Reserved.  
 In case of consideration for using Automotive equipment / device which demand high reliability, kindly contact our sales window correspondents.



RECOMMENDED LAND PATTERN DIMENSION OF PCB  
 (RECOMMENDED METAL MASK THICKNESS : 0.15mm)



- NOTES
- ① 10 HATCHED PARTS : GROUND CIRCUIT.
  - ② 2 HATCHED PARTS : GROUND CIRCUIT.
  - 3 SMT LEAD-COPLANARITY : 0.1 MAX.
  - 4 THIS PRODUCT HAS NO POLARITY TO PATTERN FOR MOUNTING.
  - ⑤ MAKE SURE WIDTH OF PATTERN IS WITHIN THAT OF LAND, OR LEAD MAY TOUCH PATTERN. (THIS APPLIES TO HATCHED AREA.)
  - 6 EMBOSS CARRIER TAPE PACKAGE IS APPLIED ON THIS PRODUCT. PLEASE REFER TO THE SHEET 2/2 FOR THE DETAILS.
  - 7 THE DIMENSIONS IN PARENTHESES ARE FOR REFERENCE.

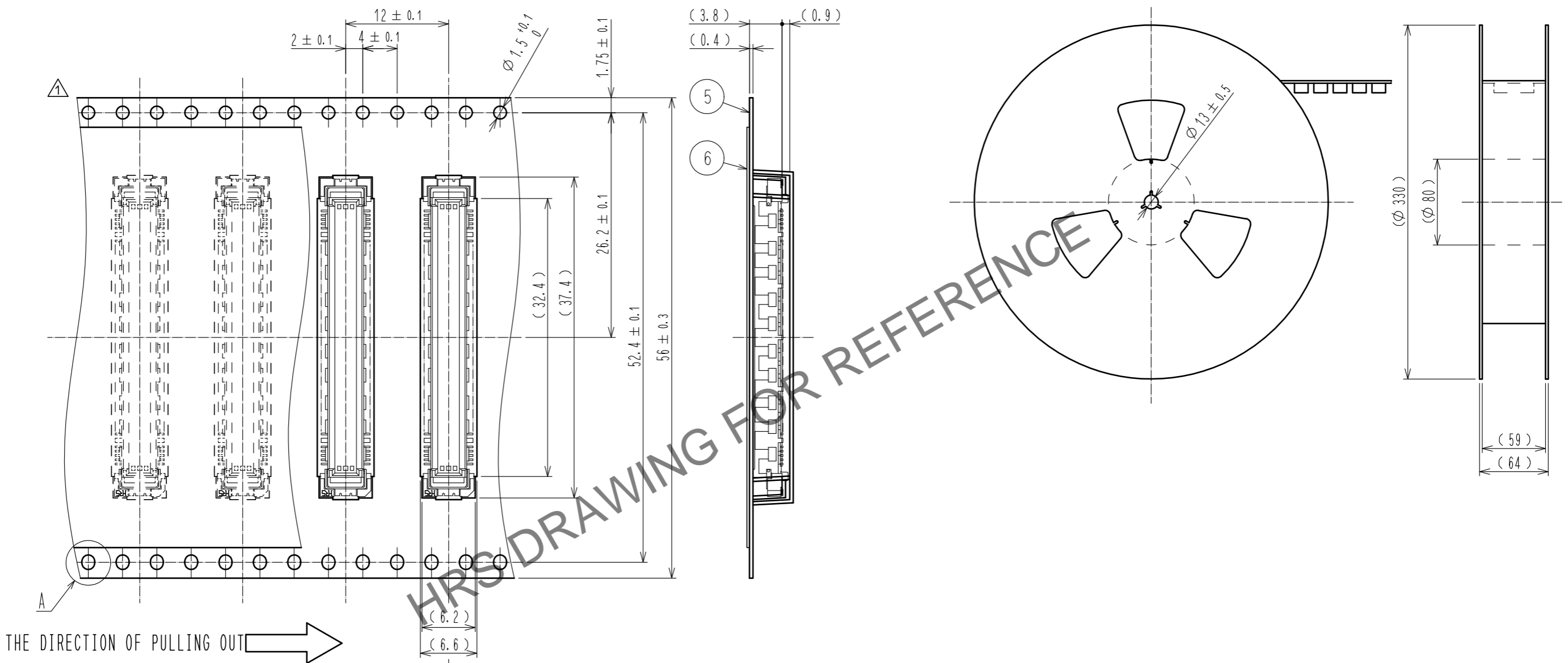


4	PHOSPHOR BRONZE	TIN-PLATING			
3	PHOSPHOR BRONZE	CONTACT AREA :GOLD 0.1μm min. LEAD AREA :TIN-PLATING 1μm min. UNDER PLATING:NICKL 1μm min.			
2	PHOSPHOR BRONZE	TIN-PLATING	6	POLYESTER	TOP COVER TAPE
1	LCP	BEIGE	5	POLYSTYRENE	EMBOSSED CARRIER TAPE
NO.	MATERIAL	FINISH . REMARKS	NO.	MATERIAL	FINISH . REMARKS
UNITS		SCALE	COUNT	DESCRIPTION OF REVISIONS	
mm		4 : 1	1	DIS-F-00015123	
DESIGNED		CHECKED		DATE	
SY. KUDO		HT. YAMAGUCHI		20220831	
APPROVED : HS. OKAWA			20100804	DRAWING NO. EDC-151945-91-21	
CHECKED : HT. YAMAGUCHI			20100804	PART NO. FX10A-100P/10-SV(91)	
DESIGNED : SY. KAMIGA			20100804	CODE NO. CL0570-0002-8-91	
DRAWN : HK. SUNADORI			20100804	①/2	

Jul.1.2024 Copyright 2024 HIROSE ELECTRIC CO., LTD. All Rights Reserved.  
 In case of consideration for using Automotive equipment / device which demand high reliability, kindly contact our sales window correspondents.

DRAWING FOR PACKING(2:1)

REELED DIMENSION (Free)



HRS DRAWING FOR REFERENCE

- NOTES
- 8 1 REEL : 1000 CONNECTORS.
  - 9 MINIMUM 10 COMPARTMENTS FROM BOTH REEL ENDS REMAIN EMPTY.
  - 10 THIS PRODUCT HAS NO POLARITY TO TAPE AND REEL PACKAGING.
  - 11 THE DIMENSIONS IN PARENTHESES ARE FOR REFERENCE.

<b>HRS</b>	DRAWING NO.	EDC-151945-91-21
	PART NO.	FX10A-100P/10-SV(91)
	CODE NO.	CL0570-0002-8-91
		2/2