

DESIGNED & DIMENSIONED
IN MILLIMETERS

DO NOT
SCALE FROM
THIS PRINT

MPT-XX-6.30-XX-X-V-XX

M No. OF POSITIONS
-02, -03, -04, -05, -06, -08

HEIGHT
-6.30: 6.30 MM

OPTION
-LC: LOCKING CLIP
(SEE FIG 2, SHT 2)

VERTICAL

TAIL LENGTH
-01: FOR 1.57[.062] THICK PCB
(USE SUB-T-1M39-XX.XX-01-X)
-03: FOR 2.36[.093] THICK PCB
(USE SUB-T-1M39-XX.XX-03-X)

PLATING SPECIFICATION
-L: SEE TABLE 2, SHT 2
-T: SEE TABLE 2, SHT 2

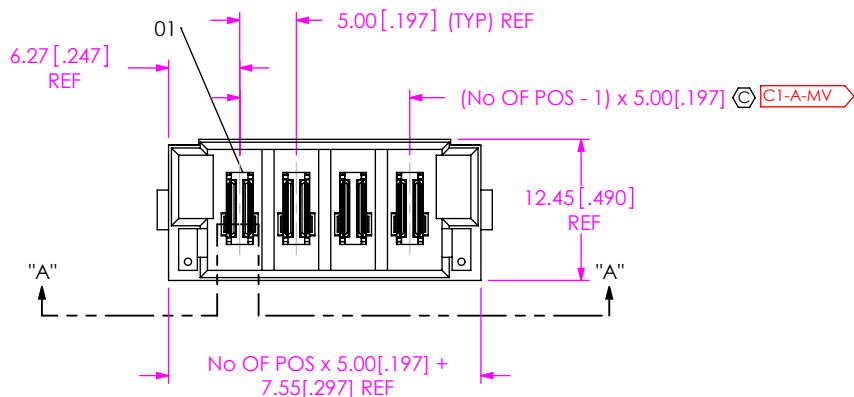


TABLE 1

TAIL LENGTH	"A"	SUB-T-1M39-XX.XX-XX-X
-01	2.72 [.107]	SUB-T-1M39-06.30-01-X
-03	3.51 [.138]	SUB-T-1M39-06.30-03-X

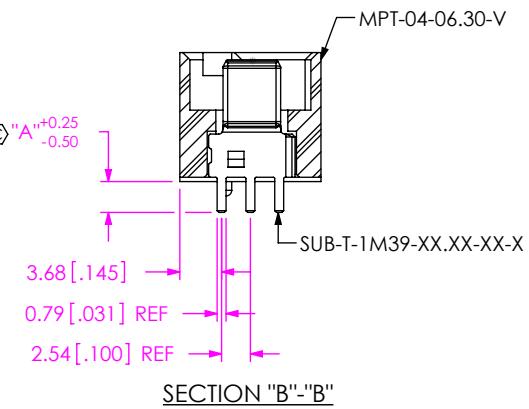
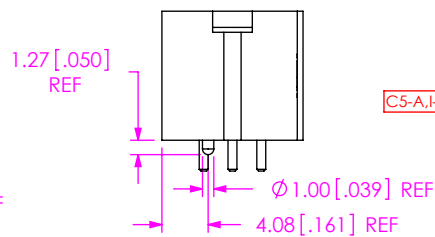
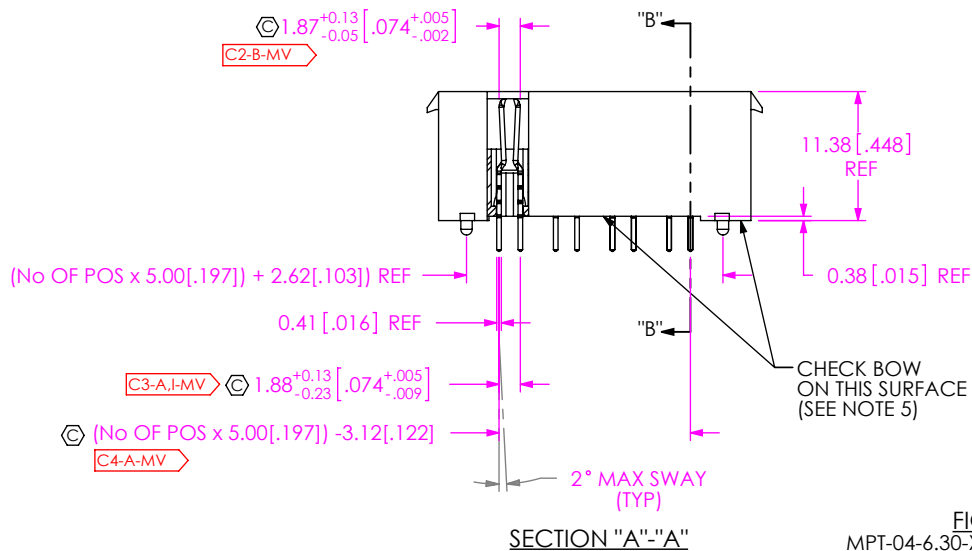
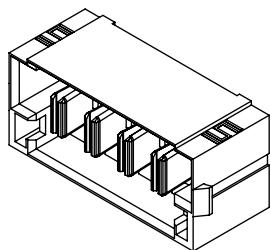


FIG 1
MPT-04-6.30-XX-X-V SHOWN

NOTES:

1. **C** REPRESENTS A CRITICAL DIMENSION.
2. BURR ALLOWANCE: 0.038 [.0015] MAX.
3. MINIMUM PUSHOUT FORCE: 4.45N [1.0 LB].
4. PARTS TO BE PACKAGED IN TRAYS.
5. BOW ALLOWED AT .051MM [.002 IN/IN]
6. MINIMUM -LC PULL OUT FORCE: 2.23N [0.5LB]

C6-E-MV **C**



UNLESS OTHERWISE SPECIFIED,
DIMENSIONS ARE IN MILLIMETERS.

TOLERANCES ARE:

DECIMALS	ANGLES
.X: ±0.3 [.01]	2°
.XX: ±0.13 [.005]	
.XXX: ±0.051 [.0020]	

PROPRIETARY NOTE

THIS DOCUMENT CONTAINS INFORMATION CONFIDENTIAL AND PROPRIETARY TO SAMTEC, INC. AND SHALL NOT BE REPRODUCED OR TRANSFERRED TO OTHER DOCUMENTS OR DISCLOSED TO OTHERS OR USED FOR ANY PURPOSE OTHER THAN THAT WHICH IT WAS OBTAINED WITHOUT THE EXPRESSED WRITTEN CONSENT OF SAMTEC, INC.

MATERIAL: DO NOT SCALE DRAWING SHEET SCALE: 1:0.6
INSULATOR: LCP, UL 94V-0 COLOR: BLACK
TERMINAL: COPPER ALLOY



520 PARK EAST BLVD. NEW ALBANY, IN 47150
PHONE: 812-944-6733 FAX: 812-948-5047
e-Mail: info@SAMTEC.com code: 55322

DESCRIPTION:
VERTICAL POWER TERMINAL

DWG. NO.
MPT-XX-6.30-XX-X-V-XX

BY: CLAY W 2/2/2007 SHEET 1 OF 2

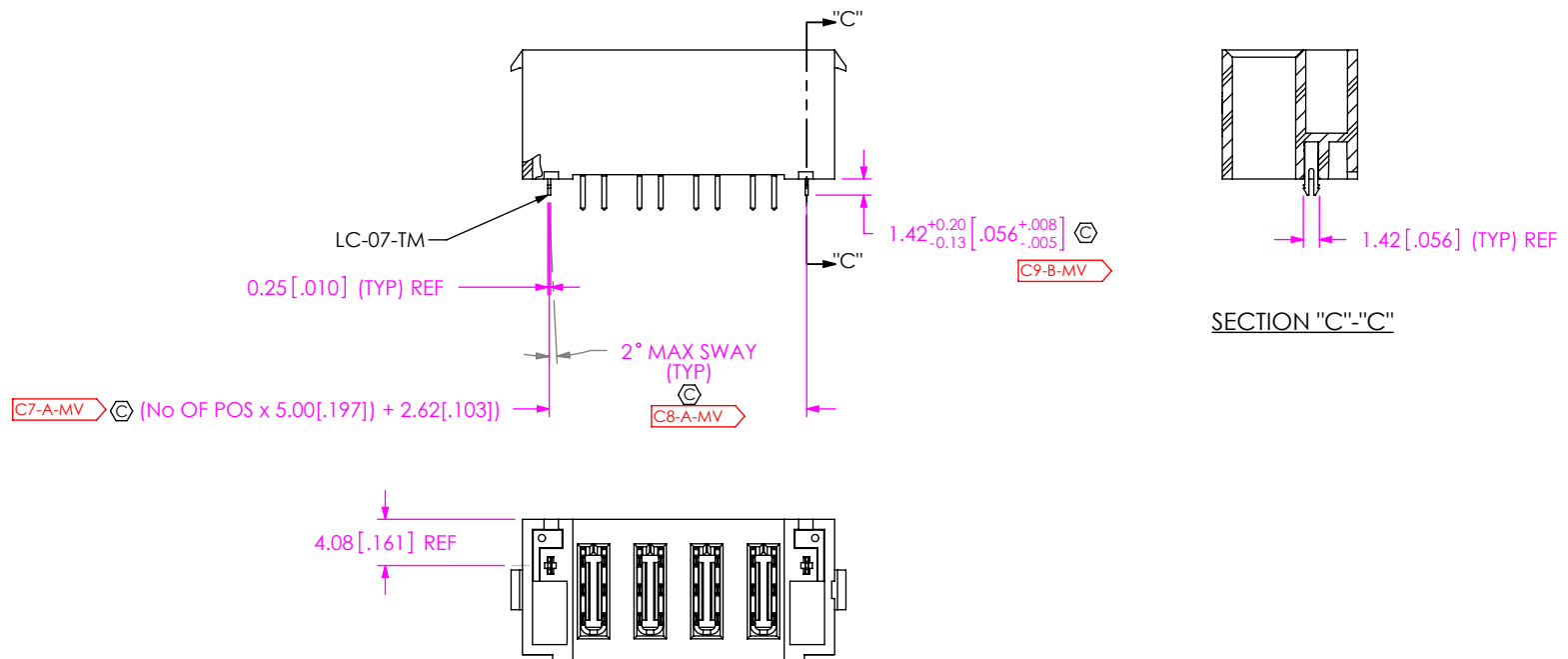


FIG 2
MPT-04-6.30-XX-X-V-LC SHOWN
(SAME AS FIG 1, UNLESS OTHERWISE STATED)

TABLE 2		
PLATING	POWER PIN CONTACT AREA	POWER PIN TAIL
-L	10 μ GOLD	MATTE TIN
-T	MATTE TIN	MATTE TIN

CRITICAL DIMENSION INSPECTION INSTRUCTION TABLE	
ASSEMBLY OPERATION	IN-PROCESS INSPECTION
FILL SUB-T-1M39	C1, C2, C3, C4, C5
FILL LC-07	C7, C8, C9

<p>PROPRIETARY NOTE</p> <p>THIS DOCUMENT CONTAINS INFORMATION CONFIDENTIAL AND PROPRIETARY TO SAMTEC, INC. AND SHALL NOT BE REPRODUCED OR TRANSFERRED TO OTHER DOCUMENTS OR DISCLOSED TO OTHERS OR USED FOR ANY PURPOSE OTHER THAN THAT WHICH IT WAS OBTAINED WITHOUT THE EXPRESSED WRITTEN CONSENT OF SAMTEC, INC.</p> <p>DO NOT SCALE DRAWING</p>		
	<p>520 PARK EAST BLVD, NEW ALBANY, IN 47150 PHONE: 812-944-6733 FAX: 812-948-5047 e-Mail: info@SAMTEC.com code: 55322</p>	
	<p>DESCRIPTION: VERTICAL POWER TERMINAL</p>	
	<p>DWG. NO. MPT-XX-6.30-XX-X-V-XX</p>	
<p>BY: CLAY W 2/2/2007</p>		<p>SHEET 2 OF 2</p>