



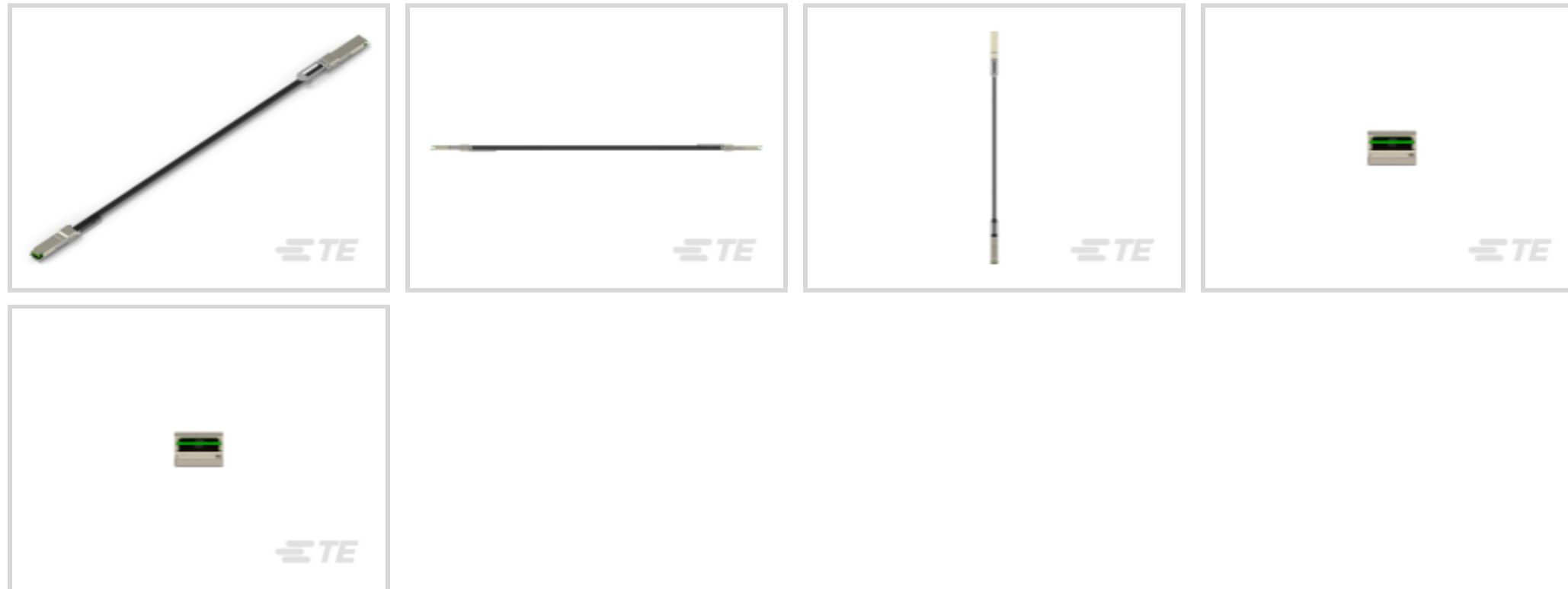
QSFP56

TE Internal #: 4-2333393-5

QSFP28 Cable Assembly, 16 Positions, 2 m [6.56 ft], 56 Gb/s, Black Cable, Shielded, 30 AWG, .051 mm², Madison TurboTwin - Round Jacketed, QSFP28 Plug

[View on TE.com >](#)

Cable Assemblies > Copper Cable Assemblies > Pluggable I/O Cable Assemblies > QSFP56 to QSFP56 Cable Assembly: 30 AWG



Cable Assembly Type: **QSFP28**

Cable Assembly (End A): **QSFP28 Plug**

Cable Assembly (End B): **QSFP28 Plug**

Wire Size: **.051 mm²**

[All QSFP56 to QSFP56 Cable Assembly: 30 AWG \(4\)](#)

Features

Product Type Features

Cable Assembly Category	High Speed, Industry Standard
Cable Assembly Type	QSFP28
Cable Assembly (End A)	QSFP28 Plug
Cable Assembly (End B)	QSFP28 Plug
Cable Style	Madison TurboTwin - Round Jacketed

Configuration Features

Number of Positions	16
Number of Pairs	8
Number of Signal Positions	16

Electrical Characteristics

Impedance	100 Ω
-----------	-------

Signal Characteristics

Data Rate	56 Gb/s
-----------	---------



Body Features

Cable Color	Black
Cable Flammability Rating	CL2
Equalized	No

Dimensions

Wire Size	.051 mm ²
Outside Cable Diameter	6.2 mm[.244 in]

Operation/Application

Shielded	Yes
Halogen Free	No

Other

Cable Assembly Length	2 m[6.56 ft]
-----------------------	--------------

Product Compliance

[For compliance documentation, visit the product page on TE.com>](#)

EU RoHS Directive 2011/65/EU	Compliant with Exemptions
EU ELV Directive 2000/53/EC	Not Compliant
China RoHS 2 Directive MIIT Order No 32, 2016	Restricted Materials Above Threshold
EU REACH Regulation (EC) No. 1907/2006	Current ECHA Candidate List: JUNE 2024 (241) Candidate List Declared Against: JAN 2022 (223) Does not contain REACH SVHC
Halogen Content	Not Low Halogen - contains Br or Cl > 900 ppm.
Solder Process Capability	Not reviewed for solder process capability


Product Compliance Disclaimer

This information is provided based on reasonable inquiry of our suppliers and represents our current actual knowledge based on the information they provided. This information is subject to change. The part numbers that TE has identified as EU RoHS compliant have a maximum concentration of 0.1% by weight in homogenous materials for lead, hexavalent chromium, mercury, PBB, PBDE, DBP, BBP, DEHP, DIBP, and 0.01% for cadmium, or qualify for an exemption to these limits as defined in the Annexes of Directive 2011/65/EU (RoHS2). Finished electrical and electronic equipment products will be CE marked as required by Directive 2011/65/EU. Components may not be CE marked. Additionally, the part numbers that TE has identified as EU ELV compliant have a maximum concentration of 0.1% by weight in homogenous materials for lead, hexavalent chromium, and mercury, and 0.01% for cadmium, or qualify for an exemption to these limits as defined in the Annexes of Directive 2000/53/EC (ELV). Regarding the REACH Regulation, the information TE provides on SVHC in articles for this part number is based on the latest European Chemicals Agency (ECHA) 'Guidance on requirements for substances in articles' posted at this URL: <https://echa.europa.eu/guidance-documents/guidance-on-reach>

Compatible Parts



TE Part # 2170705-7
CAGE ASSY, QSFP28 1X1, SPRING, HS, LP



TE Part # 2170747-6
CAGE ASSY, 1X4, QSFP28, SPRING, HS, LP



TE Part # 2170806-5
CAGE ASSEMBLY, 1X2, QSFP28, SPRING, HS



TE Part # 2-2170747-2
CAGE ASSY, 1X4, QSFP28, SPRING, HS, LP



TE Part # 2170806-1
CAGE ASSEMBLY, 1X2, QSFP28, SPRING, HS



TE Part # 2170704-2
CAGE ASSY, QSFP28 1X1, SPRING, HS



TE Part # 2227103-2
1X2 CAGE ASSY BHND BZL QSFP28



TE Part # 2170707-3
CAGE ASSY, 1X6, QSFP28, SPRING, HS



TE Part # 2227103-1
1X2 CAGE ASSY BHND BZL QSFP28



TE Part # 2170704-1
CAGE ASSY, QSFP28 1X1, SPRING, HS



TE Part # 2170704-5
CAGE ASSY, QSFP28 1X1, SPRING, HS




TE Part # 1551892-1
Cage Assy Behind Bezel QSFP28



TE Part # 2227104-1
1X2 CAGE ASSY, BHND BEZEL, QSFP28



TE Part # 2170703-7
CAGE ASSEMBLY, QSFP28 1X1, SPRING



TE Part # 2170790-4
CAGE ASSY, 1X4, QSFP28, SPRING, HS, LP



TE Part # 2170703-6
CAGE ASSEMBLY, QSFP28 1X1, SPRING



TE Part # 1551891-1
Cage Assy, Behind Bezel, QSFP28



TE Part # 1551920-1
zQSFP+ connector assembly



TE Part # 2-2170808-3
QSFP28, 1X2, CAGE ASSY, SPRING, HS, LP



TE Part # 2170704-3
CAGE ASSY, QSFP28 1X1, SPRING, HS, LP

Also in the Series | **QSFP56**



Pluggable I/O Cable Assemblies(49)

Customers Also Bought



TE Part #4-2333393-3
QSFP 56GIG 30AWG 1 METER



TE Part #5787962-2
.8MM CHAMP STACK RCPT ASSY



TE Part #3-1827233-6
.5FHP05H,440,B,GIG,08/Sn,HT,NS



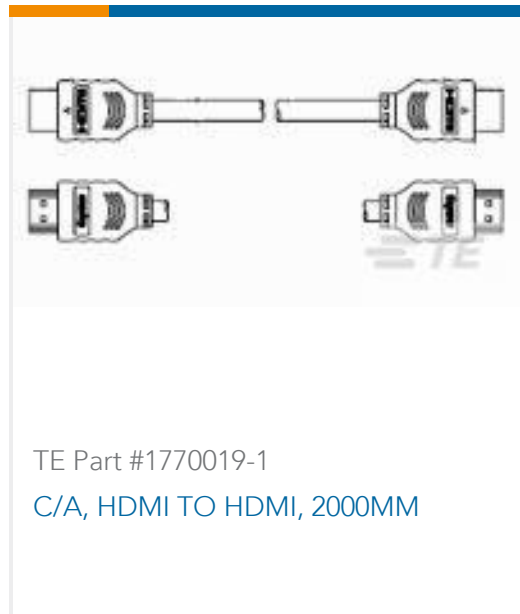
TE Part #1-1734037-0
Champ 050 series 100pos,Au over PdNi



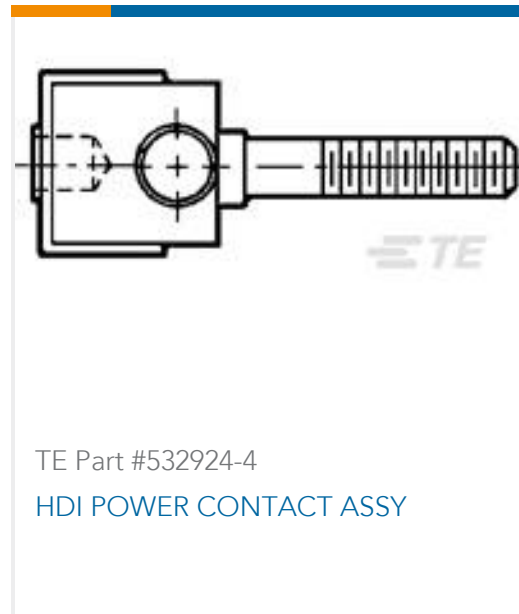
TE Part #533082-4
HDI KEYING POWER PIN PLTD



TE Part #4-2333842-4
QSFP56 to QSFP56 Cable Assembly:
26 AWG



TE Part #1770019-1
C/A, HDMI TO HDMI, 2000MM



TE Part #532924-4
HDI POWER CONTACT ASSY



TE Part #2170507-5
1X3 QSFP CAGE ASSY

Documents

Product Drawings

[QSFP 56GIG 30AWG 2 METER](#)

English

CAD Files

[3D PDF](#)

[3D](#)

[Customer View Model](#)

[ENG_CVM_CVM_4-2333393-5_A.2d_dxf.zip](#)



English

Customer View Model

[ENG_CVM_CVM_4-2333393-5_A.3d_igs.zip](#)

English

Customer View Model

[ENG_CVM_CVM_4-2333393-5_A.3d_stp.zip](#)

English

By downloading the CAD file I accept and agree to the [Terms and Conditions](#) of use.

Product Specifications

Product Specification

English

Product Specification

Japanese

AMP Mini CT Connector 1.5mm Pitch (Crimp Type), Lead Free Version

Japanese