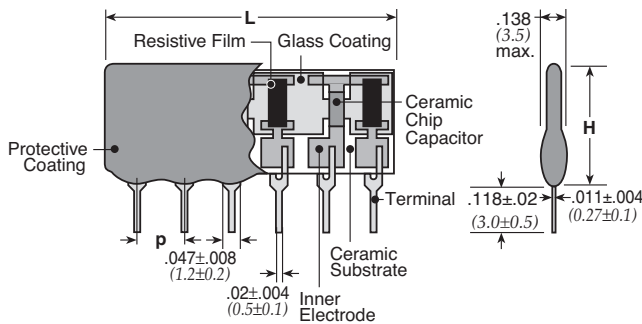


features

- Metal glaze resistors (RuO₂) provide lifetime stability
- Free from short circuit, unexpected solder melting and terminal disconnection due to the high temperature solder used to connect terminals
- Capable of reducing the numbers of parts and part insertions
- Custom orders are available
- Products with lead-free termination meet EU RoHS requirements. EU RoHS regulation is not intended for Pb-glass contained in electrode, resistor element and glass

leaded resistors

dimensions and construction



Type	Dimensions inches (mm)			
	Number of Pins	L	H	p
CRA □	5 – 90	.100xP+.024 (2.54xP+0.6)	.256 (6.5)	.100 (2.54)
CRB □	5 – 10			
CRC □	5 – 13			
CRD □	5 – 13			
CRE □	6 – 14			
CRF □	5 – 13			

□ = Number of pins

ordering information

CR	E	6	01	D
Product Code	Circuit Symbol	Number of Cells	KOA Reference Number	Terminal Surface Material
	A B C D E F M	4 – 8 (CRA) 3 – 8 (CRB) 2 – 6 (CRC, CRD CRE, CRF) Nil (CRM)		D: SnAgCu Nil: Sn/Pb

ratings

Parameter	Resistor	Capacitor
Max. Operating Voltage	50V	
Constant Range	10Ω – 1MΩ	10pF – 0.1μF
T.C.	±200x10 ⁻⁹ /K	CH, B, R*
Tolerance	±5% (J)	±5% (J) ±10% (K) ±20% (M) -20% – +80% (Z)
Operating Temp. Range	-25°C – +85°C	
Storage Temp. Range	-55°C – +125°C	

* Refer to T.C. chart to the right

T.C. Type	T.C.			
	Reference Temp.	Temp. Range	Capacitance Change or Temp. Coefficient	Operating Temp.
CH	20°C	20~125°C	0±60ppm/°C	-55~125°C
B	20°C	-25~85°C	±10%	-25~85°C
R	20°C	-55~125°C	±15%	-55~125°C

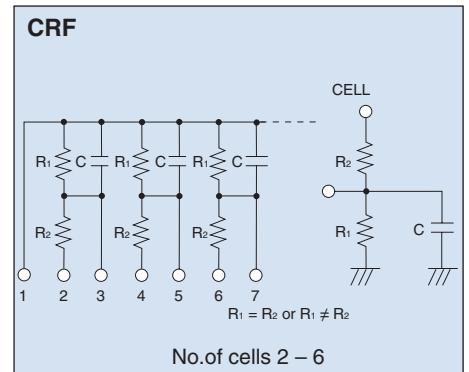
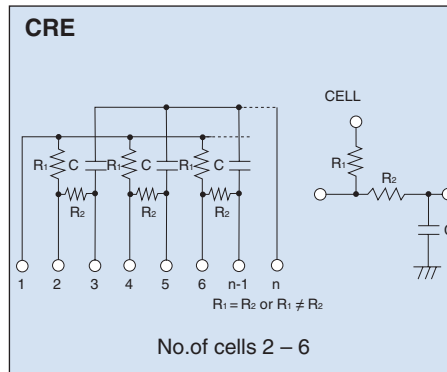
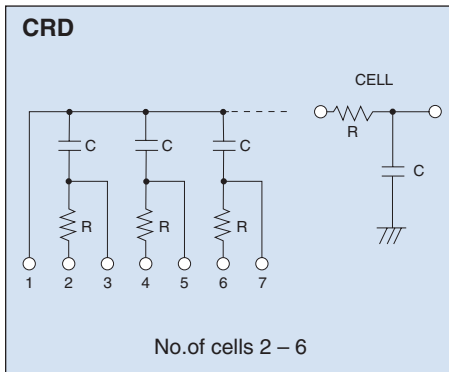
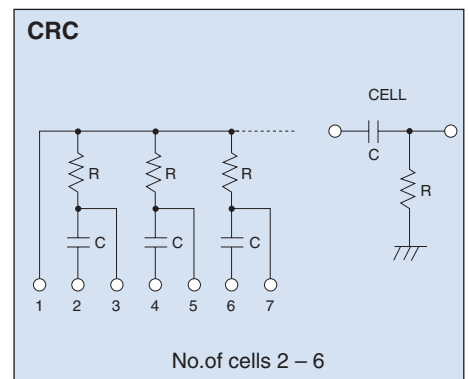
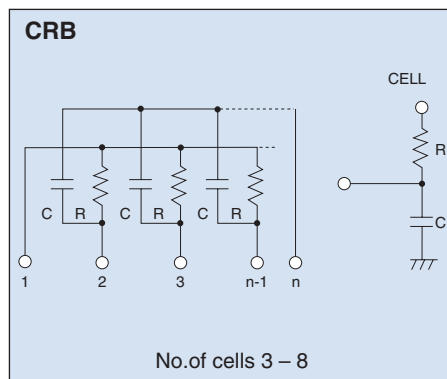
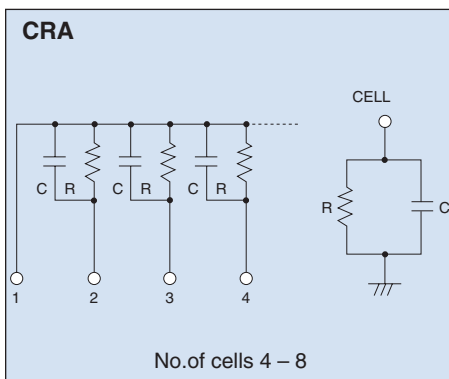
Specifications given herein may be changed at any time without prior notice. Please confirm technical specifications before you order and/or use. 11/15/17

maximum wattage/package

mW/Package	Number of Pins				
	5	6	7	8	9
	500	625	750	875	1000

mW/Package	Number of Pins				
	10	11	12	13	14
	1050	1150	1250	1350	1450

circuit schematics



When ordering the CR series, please indicate the following items shown below:

For circuit code A – F, please indicate the following items:

- Resistance
- Capacitance
- Operating voltage
- Capacitance tolerance
- T.C.

For circuit code M, please add the following items:

- Circuit schematics
- Pin layout
- Dimensions
- Conditions for use
- Resistor (Power rating, Tolerance, T.C.R.)

Mouser Electronics

Authorized Distributor

Click to View Pricing, Inventory, Delivery & Lifecycle Information:

[KOA Speer:](#)

[CR2A10YTTE101M/820J](#) [CR2A10YTTE470M/470J](#) [CRBS03LTE470J/470M](#)