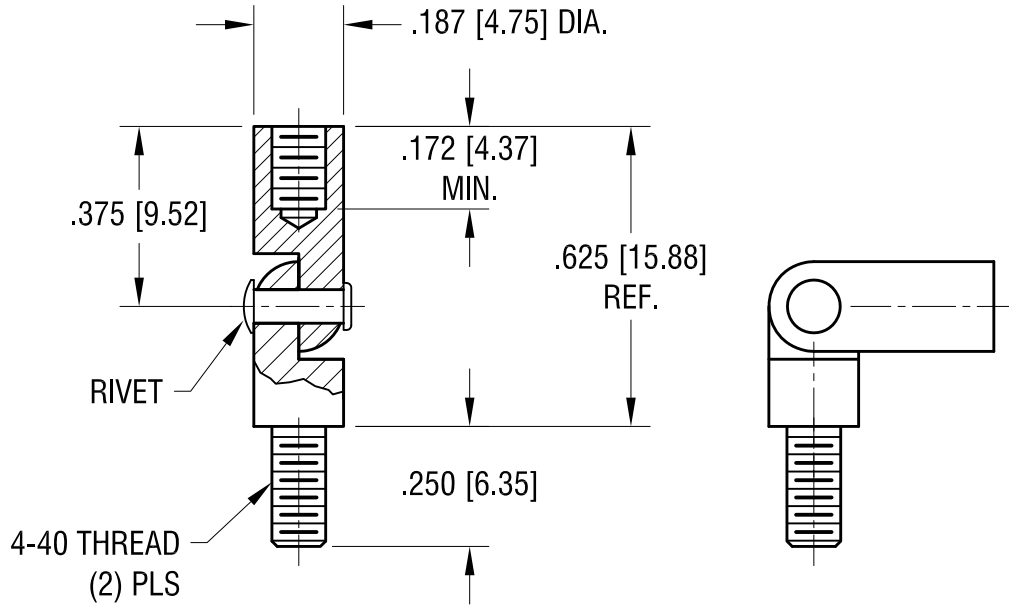


THIS DOCUMENT IS THE PROPERTY OF
KEYSTONE ELECTRONICS CORP. AND
SHALL NOT BE REPRODUCED, DISTRIBUTED
OR USED AS A BASIS FOR MANUFACTURE
WITHOUT PRIOR WRITTEN PERMISSION
FROM KEYSTONE ELECTRONICS CORP.

ACTUAL SIZE



KEYSTONE ELECTRONICS CORP.

www.keyelco.com • NEW HYDE PARK NY 11040 • Tel (516)328-7500

PART NAME

HINGED STANDOFF, MALE / FEMALE

MATERIAL

BRASS

FINISH

BRIGHT BRASS

DRN BY

BOONE

DATE

9.18.95

APP'D

RH

SCALE

2.5X

TOLERANCES

INCH

[MM]

DECIMAL

$\pm .005$ [± 0.13]

ANGULAR

$\pm 1^\circ$

UNLESS OTHERWISE SPECIFIED

CODE

C

DWG NO.

333

2.03.23	ECN23-014, PLATING WAS ZINC TRIVALENT YELLOW CHROMATE	B
9.08.08	CHANGED AS PER ECN 08-148	A
DATE	DESCRIPTION	REV.