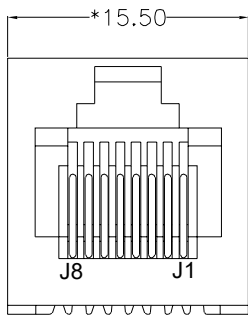
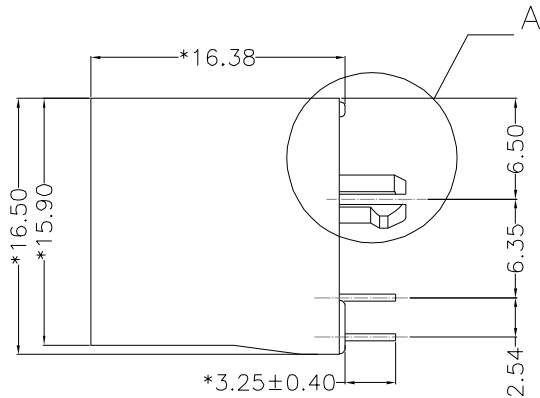


ÜÖÖP ABÄJ PÜ
ÄÖUT ÜŠÖE V

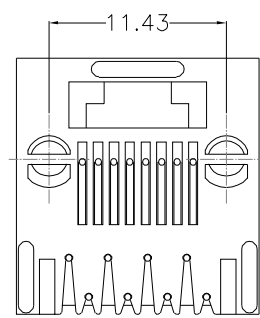
ÜÖXE	ÖÖP ABÄJ PÜ	ÖÖV	ÖÖE/Ö
A0	NEW	X.YAN	2018.05.21



FRONT VIEW



RIGHT SIDE VIEW



BOTTOM VIEW

MATERIAL:

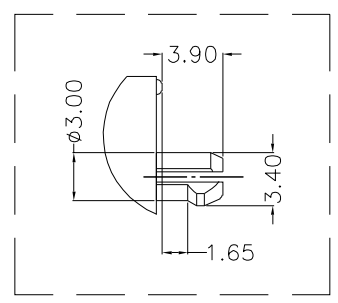
HOUSING: PBT,UL94V-0,BLACK.
TERMINAL: PHOSPHOR BRONZE Ø=0.46MM, G/FU" GOLD PLATING.

MACHANICAL:

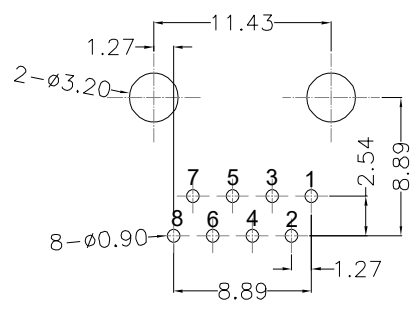
DURABILITY: 750 CYCLES MIN,12.5MM/MINUTE.
INSERTION FORCE: 2.2KG.F MAX.
RETENTION STRENGTH : 7.7KG.F BETWEEN JACK AND PLUG.
OPERATING TEMPERATURE: -40°C~+85°C.
STORAGE TEMPERATURE: -40°C~+85°C.
ALL CRITICAL DIMENSIONS WITH "*"

ELECTRICAL:

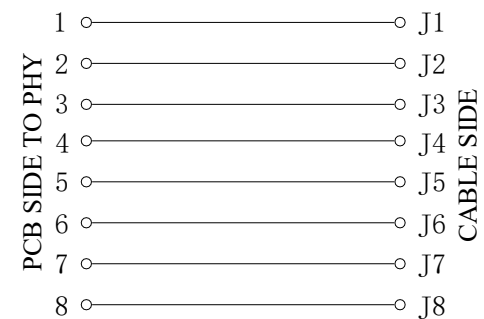
VOLTAGE: 125 VOLTS AC.
CURRENT RATING : 1.5AMP.
DIELECTRIC STRENGTH: 1000 VAC RMS 50HZ OR 60HZ,1MIN.
INSULATION RESISTANCE: 500 MEGA OHMS MIN. INITIAL
AFTER 500V DC FOR 1 MINUTE.
CONTACT RESISTANCE: SINGLE TERMINAL 30 MILLIOHMS MAX.
INITIAL 50 MILLIOHMS MAX. AFTER
DURABILITY TEST.



A(2:1)



RECOMMENDED PCB LAYOUT
VIEWED FROM COMPONENT SIDE



CND-tek
磁联达

深圳磁联达电子有限公司
Shenzhen magnetic Lianda Electronics Co., LTD
Address: 505, West Block, No. 221, Niucheng Road, Niucheng Village, Baiwang
Community, Xili Street, Nanshan District, Shenzhen
E-mail: sales1@cd-tek.com 0755-27652992 29016433 Website:www.cd-tek.com

VÖŠÖK
180° TAB-UP 1*1 8P8C

ÜÖEÜVÄ PÜEK
R1188R22UT

ÜÖT ÖEÜSK

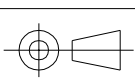
ÜÖÖ
ÖE

ÜÖÖSÖ
FKF

ÜPÖÖV
FB

WPÖÜ
TT ZÖPá

ÜÖX
ÖE



ÖÖP ÖÜÖSÄU SÖÜÖE ÖÖÜ
WP SÖÜÜÄÜ ÖÖÖÖÖ

ÖÖH
ÖE

ÖÖG
ÖE

ÖEÜÜX ÖÖÖYK
QG.CHEN

ÖPÖÖSÖÖÖYK
SL.WANG

ÖÖÜPÖÖYK
X.YAN